

Product Datasheet

Product code: ES5130M.CR.BGO

Product type: High Precision Cutters

Made in: Switzerland

Description: The 5130M is a high precision cutter belonging to the micro oval cutter family. This type of geometry provides excellent resistance, while the 5130M head dimensions allow to access very small areas. The semi-flush cutting edge is suitable to perform robust cuts. The 5130M is equipped with an ESD Ergo-tek slim handle which allows an excellent grip, suitable to environments and to components susceptible to electrostatic discharge. The blades are hardened to 67HRC hardness.

Head description: Micro Oval

Cutting edges: Semi-Flush

Cutting capacity: soft wire 0.2-1.0 mm (32-18 AWG)

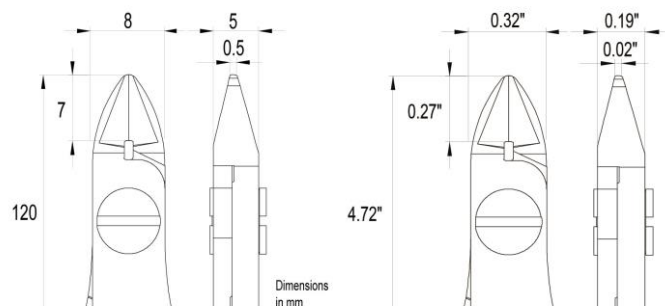
Body material: High carbon-chromium low alloy steel (100Cr6)

Handle coating: ESD safe - Thermoplastic Elastomer TPE + Polypropylen compound PP

Picture:



Dimensions:
 OAL 120 mm – 4.724 inch
 Width 60 mm – 2.362 inch
 Height 18 mm – 0.709 inch



X-ON Electronics

Largest Supplier of Electrical and Electronic Components

Click to view similar products for [Pliers & Tweezers](#) category:

Click to view products by [Ideal-Tek](#) manufacturer:

Other Similar products are found below :

[0031](#) [32750](#) [PN-5050/38D](#) [PG-TP-30D](#) [PG-DP-18-N](#) [G77015](#) [4-1532129-2](#) [77 12 115](#) [0037](#) [T0058765801](#) [571](#) [76C](#) [37 31 125](#) [RX 8130](#)
[37 33 125](#) [DRP10N](#) [32 11 135](#) [36 12 130](#) [0036](#) [64 11 115](#) [0032](#) [6231-08](#) [PN 5050/19D](#) [PNI 5000](#) [TP 5000/15D](#) [TR 5000 PR](#) [TR 58 R A D](#)
[00 20 08 US2](#) [13 01 614](#) [87 28 250 SBA](#) [INCP8](#) [30993](#) [011820101](#) [011830101](#) [011910110](#) [003780032](#) [003780041](#) [134-69-160](#) [134-69-180](#)
[135-49-VDE-190](#) [137-49-VDE-180](#) [137-49-VDE-200](#) [137-49-VDE-240](#) [137-69-180](#) [137-69-200](#) [137-69-240](#) [138-49-VDE-200](#) [138-69-200](#)
[140-49-VDE-170](#) [140-49-VDE-205](#)