

## Product Datasheet

**Product code:** ES5132M.CR.BGO

**Product type:** High Precision Cutters

**Made in:** Switzerland

**Description:** The 5132M is a high precision cutter belonging to the micro oval cutter family. This type of geometry provides excellent resistance, while the 5132M head dimensions allow to access very small areas. The full-flush cutting edge is suitable to perform very clean cuts on small size material. The 5132M is equipped with an ESD Ergo-tek slim handle which allows an excellent grip, suitable to environments and to components susceptible to electrostatic discharge. The blades are hardened to 67HRC hardness.

**Head description:** Micro Oval

**Cutting edges:** Full-Flush

**Cutting capacity:** soft wire 0.1-0.8 mm ( 38-20 AWG)

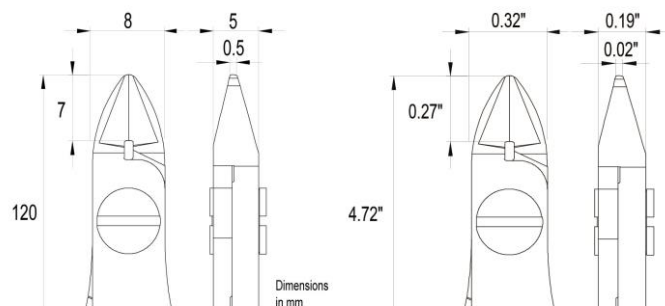
**Body material:** High carbon-chromium low alloy steel (100Cr6)

**Handle coating:** ESD safe - Thermoplastic Elastomer TPE + Polypropylen compound PP

**Picture:**



**Dimensions:**  
 OAL 120 mm – 4.724 inch  
 Width 60 mm – 2.362 inch  
 Height 18 mm – 0.709 inch



## X-ON Electronics

Largest Supplier of Electrical and Electronic Components

*Click to view similar products for [Pliers & Tweezers](#) category:*

*Click to view products by [Ideal-Tek](#) manufacturer:*

Other Similar products are found below :

[0031](#) [32750](#) [PN-5050/38D](#) [PG-TP-30D](#) [PG-DP-18-N](#) [G77015](#) [4-1532129-2](#) [77 12 115](#) [0037](#) [T0058765801](#) [571](#) [76C](#) [37 31 125](#) [RX 8130](#)  
[37 33 125](#) [DRP10N](#) [32 11 135](#) [36 12 130](#) [0036](#) [64 11 115](#) [0032](#) [T3627B 7](#) [HT-109](#) [6211-06](#) [6214-45](#) [6217-05](#) [6231-07](#) [6231-08](#) [6411-06](#)  
[DP15N](#) [DP20N](#) [PN 5050/19D](#) [PNI 5000](#) [TP 5000/15D](#) [TR 20 M](#) [TR 25 15](#) [TR 25 P A](#) [TR 5000](#) [TR 5000 10 D](#) [TR 5000 PG](#) [TR 5000 PR](#)  
[TR 58 R A D](#) [TR 58 R A](#) [43333](#) [102ACAX](#) [103ACA](#) [141SAP](#) [150SAD](#) [150SAMB](#) [151SA](#)