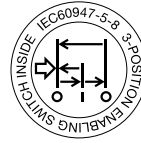


## HE2B Redundant (Double) Basic Enabling Switch

### Key features:

- 3-position functionality (OFF – ON –OFF) as required for manual robotic control
- Ideally suited for use as enabling (aka “deadman”) switch on teach pendants
- Provides a high level of safety based on human behavioral studies that determine personnel may squeeze OR let go when presented with a panic situation
- Snap acting contacts from Off→On (1→2)
- Positive action contacts from On→Off (2→3) ensure no contact welding (per EN60947-5-1 / IEC60947-5-1)
- Contacts will not re-close when released from Off→On (3→1) (per IEC60204-1; 9.2.5.8)
- Multiple contacts for enhanced reliability
- Monitoring contacts in addition to main load contacts
- Available with or without rubber cover (cover provides IP65 watertight seal)



### Part Numbers

Style	Number of Contacts			Part Number
	3 Position Switch	Push Monitor Switch	Return Monitor Switch	
Without Rubber Cover	2	0	0	HE2B-M200
	2	1	1	HE2B-M211
	2	2	2	HE2B-M222
With Rubber Cover	Yellow	2	0	HE2B-M200PY
		2	1	HE2B-M211PY
		2	2	HE2B-M222PY
	Black	2	0	HE2B-M200PB
		2	1	HE2B-M211PB
		2	2	HE2B-M222PB
Gray	2	0	HE2B-M200PN1	
	2	1	HE2B-M211PN1	
	2	2	HE2B-M222PN1	

### Accessories

#### Replacement Rubber Cover

Appearance	Color	Part Number	Material
	Yellow	HE9Z-D2Y	Silicon Rubber
	Black	HE9Z-D2B	
	Gray	HE9Z-D2N1	NBR/PVC Polyblend

Overview

XW Series E-Stops

Interlock Switches

Enabling Switches

Safety Control Relays

Light Curtains

AS-Interface Safety at Work

## Specifications

Conforming to Standards	UL508 (UL recognized), CSA C22.2, No. 14 (c-UL recognized), IEC/EN 60947-5-1, IEC/EN 60947-5-8 (TÜV approval)		
Application Standards	ISO 12100-1, -2, EN 12100-1, 2 / EN 292, IEC 60204-1 / EN 60204-1 ISO11161 / prEN 11161, ISO10218 / EN 775, ANSI / RIA R15.06, ANSI B11.19		
Operating Temperature	-25 to +60°C (no freezing)		
Operating Humidity	45 to 85% RH (no condensation)		
Storage Temperature	-40 to +80°C (no freezing)		
Pollution Degree	2 (inside of panel/contact side) 3 (outside of panel/operating side)		
Contact Resistance	50mΩ maximum		
Insulation Resistance	Between live and dead metal parts: 100MΩ maximum		
	Between positive and negative live parts: 100MΩ minimum		
Impulse Withstand Voltage	2.5kV		
Operating Frequency	1200 operations/hour		
Mechanical Life	Position 1→2: 1,000,000 operations minimum		
	Position 1→2→3→1: 100,000 operations minimum		
Electrical Life	100,000 (at full rated load)		
Shock Resistance	Operating Extremes	150m/s <sup>2</sup> (15 G)	
	Damage Limits	1000m/s <sup>2</sup> (100 G)	
Vibration Resistance	Operating Extremes	5 to 55Hz, amplitude 0.5mm minimum	
	Damage Limits	16.7Hz, amplitude 1.5mm minimum	
Terminal	0.110" quick connect / solder terminal		
Recommended Wire Size	0.5mm <sup>2</sup> maximum / 1 line (20AWG)		
Solder Heat Resistance	310 ~ 350°C / 3 seconds maximum		
Terminal Pulling Strength	20N minimum		
Recommended Screw Torque	0.5 to 0.8Nm		
Degree of Protection	with rubber cover: IP65, without rubber cover: IP40 (IEC 60529),		
Conditional Short-Circuit Current	50A (250V)		
Recommended Short Circuit Protection	250V/10A fast blow fuse (IEC 60127-1)		
Circuit Opening Force	60N minimum (button return monitor & button push monitor)		
Actuating Force (Operating)	500N minimum		
Weight	Approx. 26g (without cover), 30g (with cover)		

## Contact Ratings

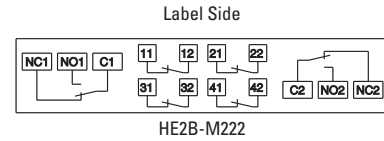
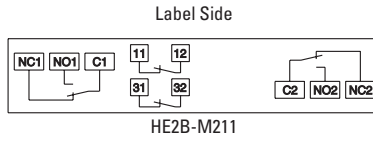
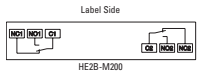
Rated Insulation Voltage (Ui)		250V				
Thermal Current (Ith)		3A				
Rated Operating Voltage (Ue)		30V	125V	250V		
Rated Operating Current (Ie)	3 Position Switch	AC	Resistive Load (AC-12)	–	1A	0.5A
			Inductive Load (AC-15)	–	0.7A	0.5A
		DC	Resistive Load (DC-12)	1A	0.2A	–
			Inductive Load (DC-13)	0.7A	0.1A	–
	Push/return Monitor Switch (NC Contacts)	AC	Resistive Load (AC-12)	–	2.5A	1.5A
			Inductive Load (AC-15)	–	1.5A	0.75A
		DC	Resistive Load (DC-12)	2.5A	1.1A	0.55A
			Inductive Load (DC-13)	2.3A	0.55A	0.27A
Contact Configuration	3 Position Switch		2 contacts (DPDT)			
	Return Monitor Switch		0 ~ 2 contacts (NC)			
	Push Monitor Switch		0 ~ 2 contacts (NC)			



Minimum applicable load (reference) = AC/DC3V • 5mA (for reference only)

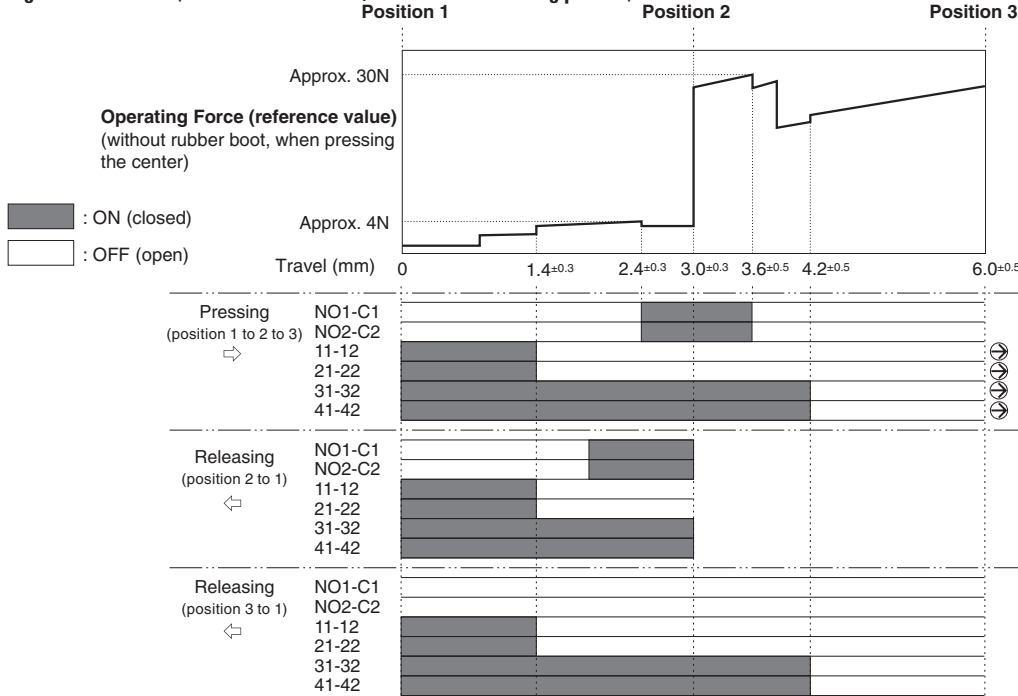
Circuit Diagrams

Terminal Circuit Diagrams (bottom view)



Operating Characteristics

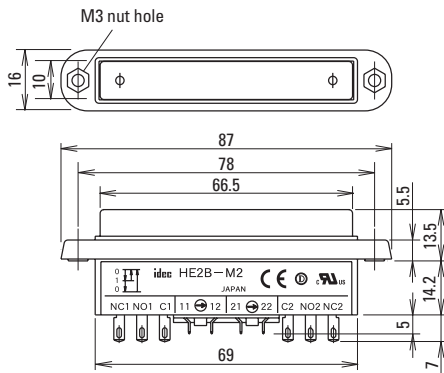
Operating Characteristics (without rubber cover/center of button being pushed)



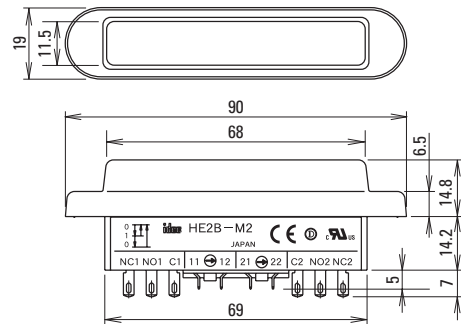
Using rubber boot will change the operating force depending on the operating temperature.

Dimensions (mm)

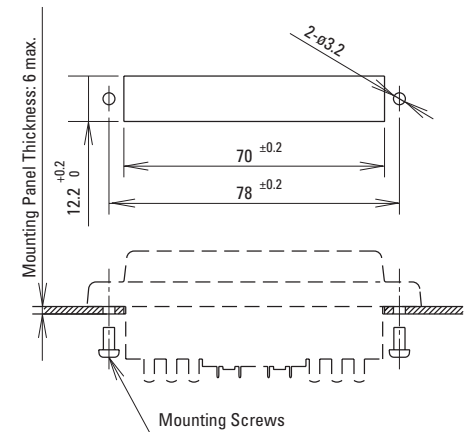
Without Rubber Cover



With Rubber Cover



Mounting Hole Layout



## X-ON Electronics

Largest Supplier of Electrical and Electronic Components

*Click to view similar products for [Switch Cases / Switch Covers](#) category:*

*Click to view products by [Idec](#) manufacturer:*

Other Similar products are found below :

[704.925.2](#) [AMS-8C](#) [DPS8L2](#) [DPS8P2](#) [DPS8PW2](#) [AP-DV](#) [PBBOX1HBY](#) [PBBOX4HBY](#) [SA1074](#) [HE9Z-D5Y](#) [3107](#) [A3C-3002](#) [L188](#)  
[EUK-704.927.0](#) [EUK-704.927.4](#) [HE9Z-D5N1](#) [W42](#) [L180](#) [M539](#) [HE9Z-D5B](#) [08-0-0-01](#) [905](#) [08-0-0-02](#) [M1080](#) [435238-5](#) [M1080-1](#)  
[704.927.6](#) [51-920](#) [61-9922.0](#) [HW9Z-KL1](#) [9001K7](#) [A3PJ-5060](#) [113160](#) [2202](#) [113260](#) [2202](#) [113260](#) [M12](#) [2201](#) [L167](#) [SA1072](#) [M1080-2](#)  
[PBBOX1HBG](#) [PBBOX3HBG](#) [PBBOX4HBG](#) [1.20.810.302/0000](#) [3109](#) [3103](#) [3206](#) [3209](#) [61-9920.0](#) [61-9924.0](#) [76P02](#) [76P06](#) [76P07](#)