

56mm LT1 Series Light Towers

Display Lights with a Tower of Advantages

Key features of the LT1 series Signalight towers include:

- Custom configurations meet your specifications—simply
- Select your flash preference, lens colors, number of tiers, mounting style, and voltage
- Choice of LED or incandescent lamps
 - LED lamps provide over 100,000 hours of service life and are interchangeable with incandescent bulbs
 - Incandescent lamps (available up to 10 watts) are vibration-resistant and provide a 2,000 hour service life
- Replace the bulbs independently; no need to disassemble the entire unit
- Heat- and shock-resistant polycarbonate lenses
- Flashing models allow each lamp to be flashed or steady
- Choice of metallic base or cost-saving plastic base
- Color-coded wires make assembly and wiring easy
- Mounting options include base and pole mount



Base Mount



Pole Mount
(with "L" bracket)



LT1 Specifications

Switches & Pilot Lights


Display Lights

Relays & Sockets

Timers

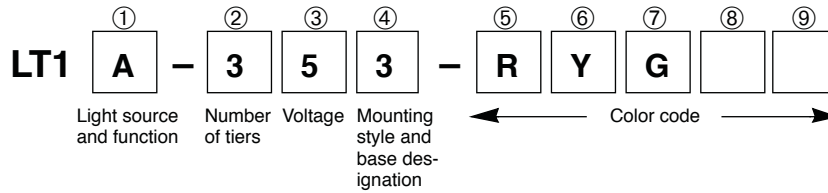
Terminal Blocks

Circuit Breakers

LT1A: Incandescent, Non-Flashing LT1D: Incandescent, Flashing/Non-Flashing LT1H: LED, Non-Flashing LT1K: LED, Flashing/Non-Flashing								
Nominal Voltage	12V AC/DC ±10%	24V AC/DC ±10%	120V AC ±10%	240V AC ±10%				
Internal Fuse Rating	3.15A	3.15A	1A	1A				
Lamp Rating	LED	12V AC/DC	24V AC/DC	120V AC	N/A			
	Incandescent	12V, 6W	30V, 10W	120V, 7W	240V, 10W			
Current Required per Lamp	LED		Red	Green	Yellow	White	Blue	N/A
		12V DC	54mA	78mA	54mA	54mA	78mA	
		24V DC	54mA	39mA	54mA	54mA	39mA	
		120V AC	30mA	30mA	30mA	30mA	30mA	
	Incandescent	0.4A ±10%	0.3A ±10%		0.06A ±10%		0.05A ±10%	
External Contact Capacity	5A	5A	2A	1A				
In-Rush Current per Lamp	LED	Not applicable						
	Incandescent	Below 4.0A	Below 3.0A	Below 0.6A	Below 0.5A			
Lamp Style	LED	BA15D lamp base						
	Incandescent	T20 glass bulb, BA15D lamp base						
Lamp Life-Span	LED	100,000 hours (minimum)						
	Incandescent	2,000 hours (average)						
Lens Colors	Red, Yellow, Green, Blue, White							
Lens Diameter	2.20" (56mm)							
Maximum Tiers	5							
Degree of Protection	IP20 (for indoor use only), NEMA1							
Flash Rate	LED: 45/minute ±10% (LT1K only) Incandescent: 80/minute ±10% (LT1D only)							
Insulation Resistance	More than 3MΩ by a DC 500V megger							
Voltage Resistance	1,500V AC for 1 minute							
Operating Range	-30 to +40°C (LT1A), -10 to +40°C (LT1D), 15 to 90% relative humidity							
Vibration Resistance	2.2G maximum							
Mounting	Base mount (three stud) Pole mount (horizontal or vertical surface) NPT mount (via adaptor) to 1/2" or 3/4" NPT conduit Install in an upright position							
Optional Pole Height	10.75" (273mm)							
Approvals	 File #E70646							
Wire Size	Non-flashing (steady): 20 AWG Flashing: 18 AWG and 20 AWG							

LT1 Part Numbers (assembled)

Part Number Guide



To determine the appropriate assembled Signalight part number, use these numbered boxes in conjunction with the codes in the *Part Numbers: Assembled Parts* table below.

Part Numbers: Assembled Parts

Box No.		Description	Code
①	Light source and function	Non-flashing (steady), incandescent lamp	A
		Flashing/non-flashing, incandescent lamp	D
		Non-flashing (steady), LED lamp	H
		Flashing/non-flashing, LED lamp	K
②	Number of tiers	Maximum of 5 tiers	1-5
③	Voltage	12V AC/DC	1
		24V AC/DC	2
		120V AC	5
		240V AC (incandescent only)	8
④	Mounting style and base designation	Beige frame cover	1
		Metallic frame cover	2
		Beige frame cover, pole incl.	3
		Metallic frame cover, pole incl.	4
⑤ - ⑨	Color code	Red	R
		Yellow	Y
		Green	G
		Blue	S
		White	W

*Specify lens color code from the lowest to the highest tier.

Examples: Assembled Parts

Part No.	Description
LT1A-354-RRR	Non-flashing incandescent, 3 tiers, 120V AC, pole-mount, metallic base, all Red lenses
LT1D-182-S	Flashing/non-flashing incandescent, 1 tier, 240V AC, base-mount, metallic base, Blue lens
LT1D-221-RS	Flashing/non-flashing incandescent, 2 tier, 24V AC/DC, base-mount, plastic base, Red and Blue lenses
LT1H-412-RGYW	Non-flashing LED, 4 tier, 12V AC/DC, base-mount, metallic base, Red, Green, Yellow, and White lenses
LT1K-554-GSRGR	Flashing/non-flashing LED, 5 tier, 120V AC, pole-mount, metallic base, Green, Blue, Red, Green, and Red lenses



Switches & Pilot Lights

Display Lights

Relays & Sockets

Timers

Terminal Blocks

Circuit Breakers

LT1 Part Numbers (sub-assembled)



Frame



Lenses



Lamps




Top Cap

=



Complete Part

Part Numbers: Frame

Description	Part No.	Notes	Examples
<p>Frame</p> 	<p>LT1 ①-01 ② ③ *</p>	<p>① = Type A = Incandescent, non-flashing D = Incandescent, flashing/non-flashing H = LED, non-flashing K = LED, flashing/non-flashing</p> <p>② = Number of tiers (1–5)</p> <p>③ = Lamp voltage 1 = 12V AC/DC 2 = 24V AC/DC 5 = 120V AC 8 = 240V AC</p> <p>* = Frame cover (M = metallic, P = beige)</p>	<p>LT1A-0142M = Steady light, four tiers, 24V AC/DC, metallic base</p> <p>LT1D-0125P = Flashing light, two tiers, 120V AC, plastic base</p>

Bill of Materials Quantities

Description	Quantity
Body frame	Required: 1 per unit
Lens(es)	Variable: from 1–5
Top cap	Required: 1 per unit
Lamps	Variable: from 1–5
Mounting pole	Optional: 1 per unit

Switches & Pilot Lights

Display Lights

Relays & Sockets

Timers

Terminal Blocks

Circuit Breakers

LT1 Accessories

Part Numbers: Accessories

Description	Part No.	Remarks
LED Lamp 	LTXD-1 [Ⓢ]	12V AC/DC See chart for available colors
	LTXD-2 [Ⓢ]	24V AC/DC See chart for available colors
	LTXD-120 [Ⓢ]	120V AC See chart for available colors
Incandescent Lamp 	B5-21	12V AC/DC, 6W
	B5-31	30V, 10W (for use with 24V AC/DC)
	B5-1	120V AC, 7W
	B5-4	240V AC, 10W
Lens 	LT1X-08 [Ⓢ]	See chart for available colors
Top Cap 	LT1X-06	Clear polycarbonate
Mounting Pole 	LT1Z-10	Chrome-plated steel supplied with "L" bracket and two M22 x 1.5 hexagonal nuts
Pole Mounting Fixture 	LT1Z-11	Aluminum fixture for mounting pole-mounted units to horizontal surface; not included with assembled Signalight units
NPT Pole Adaptors 	LT1Z-NPT50	1/2" NPT pole adapter; not included with assembled Signalight units
	LT1Z-NPT75	3/4" NPT pole adapter; not included with assembled Signalight units

Ⓢ Lens/LED Color Code

Color	Code
Green	G
Red	R
Blue	S
White	W
Yellow	Y

 In place of Ⓢ specify lens/LED color code from chart at right.

Switches & Pilot Lights

Display Lights

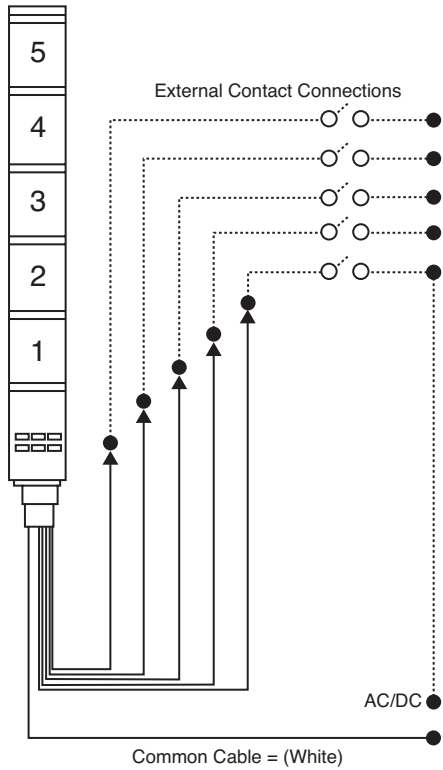
Relays & Sockets

Timers

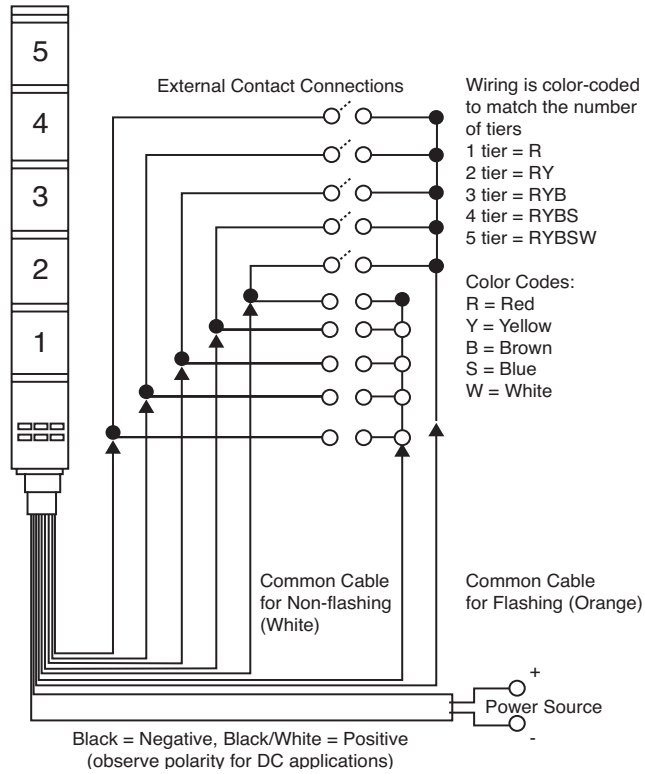
Terminal Blocks

Circuit Breakers

LT1 Wiring



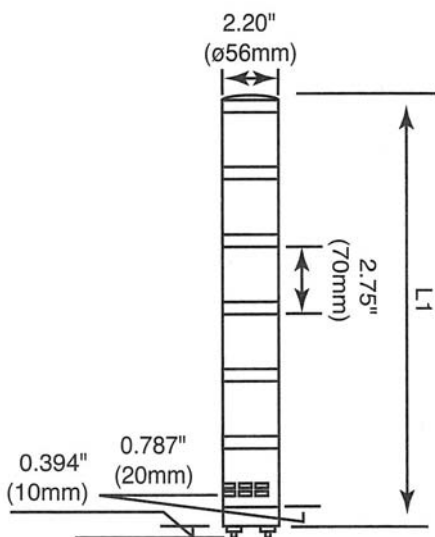
LT1A/LT1H: Non-Flash Series



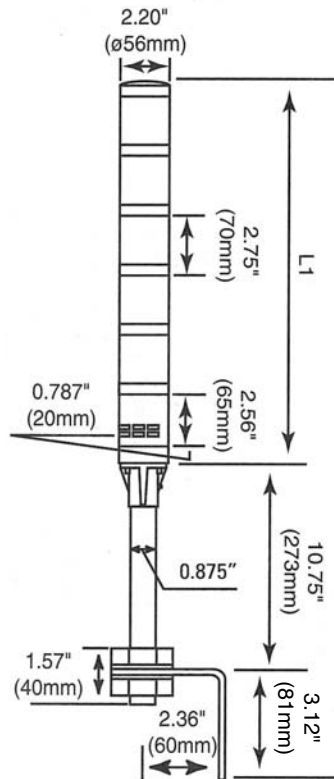
LT1D/LT1K: Flash/Non-Flash Series

Signalight Dimensions

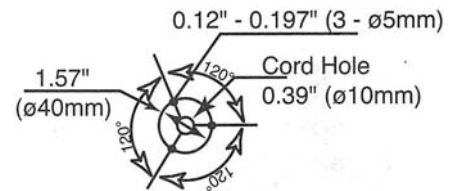
Assembled Base Mount



Assembled Pole Mount



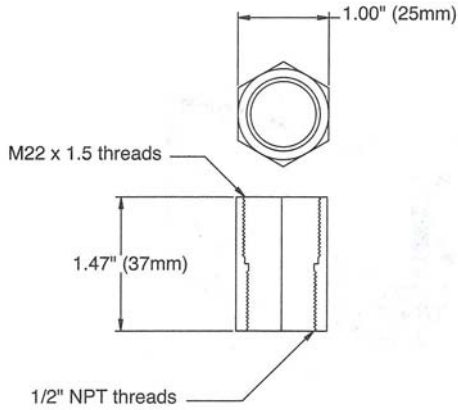
Mounting Hole Layout: Base Mounting Style



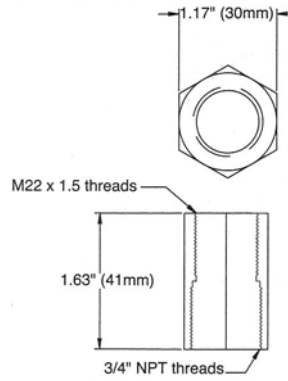
Number of Tiers	L1
1	6.7" (170mm)
2	9.4" (240mm)
3	12.2" (310mm)
4	15.0" (380mm)
5	17.7" (450mm)

LT1 Dimensions con't

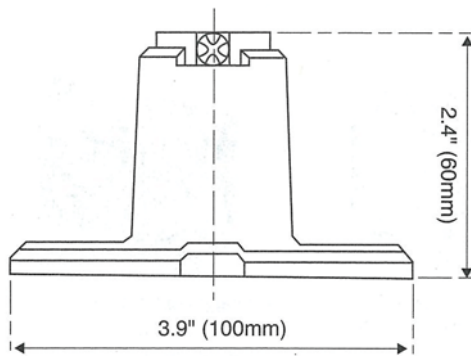
Adapter
LT1Z-NPT50



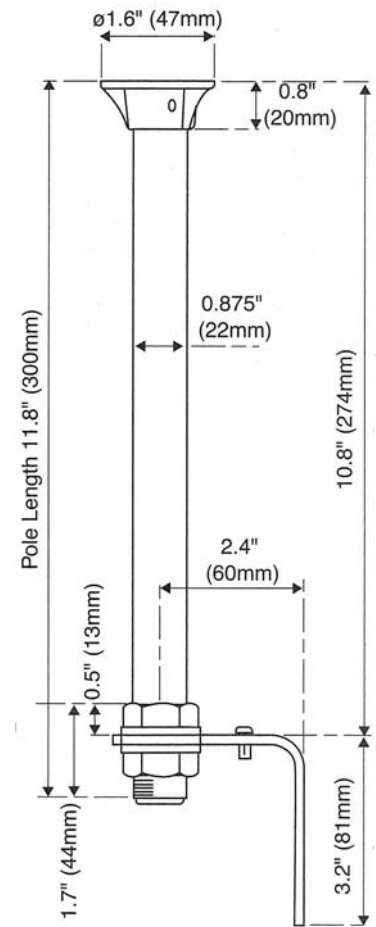
LT1Z-NPT75



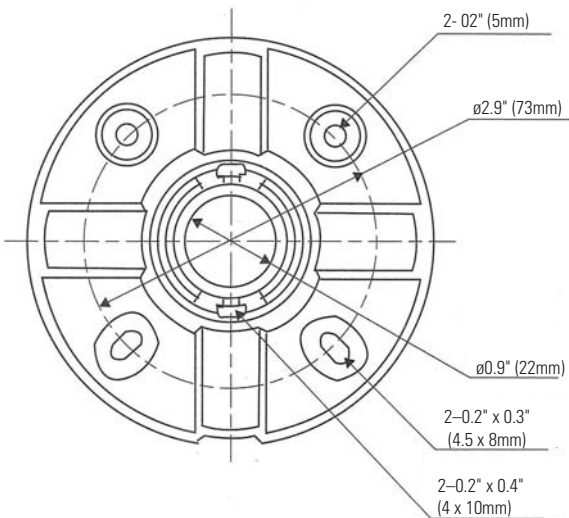
Optional Pole Mounting Base: Side View (LT1Z-11)



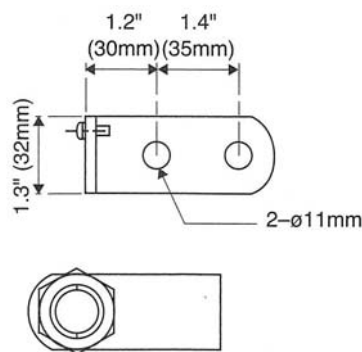
Mounting Pole (LT1Z-10)



Optional Pole Mounting Base: Bottom View



Mounting Bracket
(provided with mounting pole)



X-ON Electronics

Largest Supplier of Electrical and Electronic Components

Click to view similar products for [Industrial Panel Mount Indicators / Switch Indicators](#) category:

Click to view products by [Idec](#) manufacturer:

Other Similar products are found below :

[01-121.022](#) [LW1A-P1-W](#) [LW1B-A0L](#) [01-952.0](#) [01-152.025](#) [D38999/20FJ29PB L/C](#) [704-6012](#) [704-6020](#) [704-6023](#) [704-6026](#) [73.362.4028.0](#)
[EUS-704.000.7](#) [750-1520](#) [9001OA120](#) [99-450.837](#) [99-455.837](#) [99-486.837](#) [99-901.9](#) [99-902.9](#) [99-908.0](#) [99-909.4](#) [99-909.5](#) [A0244J1](#)
[A3DT-500Y](#) [AL6M-P7P-A](#) [AOLQW-2B0600](#) [AP1M255-A](#) [APD106LN-A](#) [APD106LN-G](#) [APN1126-G](#) [APS122DN-W](#) [ATN2100](#)
[AYLW4L-A](#) [18-237.035](#) [C0180AANAHA](#) [HW1A-L1-GD](#) [HW1A-P2-GL](#) [HW1F-3G](#) [HW1R-2DF20-R](#) [HW1X-BM411-R](#) [HW2A-L1-GL](#)
[HW2A-P1-GD](#) [HW4S-31L](#) [HWAZ1N-OB](#) [PA2200/1](#) [PA2SHIELD](#) [21-931.0](#) [21-931.2](#) [96-923.5](#) [1625006](#)