

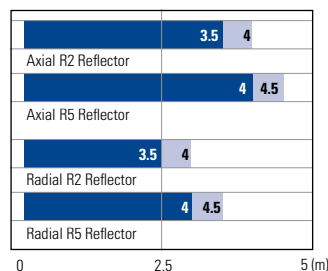
Part Numbers

Axial	Optic Function	Connection	Output	Part Number
	Retro-reflective	2m cable	PNP	S51-PA-2-A00-PK
			NPN	S51-PA-2-A00-NK
		M12 connector	PNP	S51-PA-5-A00-PK
			NPN	S51-PA-5-A00-NK
	Polarized Retro-reflective	2m cable	PNP	S51-PA-2-B01-PK
			NPN	S51-PA-2-B01-NK
		M12 connector	PNP	S51-PA-5-B01-PK
			NPN	S51-PA-5-B01-NK
	Long Diffuse Proximity	2m cable	PNP	S51-PA-2-C01-PK
			NPN	S51-PA-2-C01-NK
		M12 connector	PNP	S51-PA-5-C01-PK
			NPN	S51-PA-5-C01-NK
Short Diffuse Proximity	2m cable	PNP	S51-PA-2-C10-PK	
		NPN	S51-PA-2-C10-NK	
	M12 connector	PNP	S51-PA-5-C10-PK	
		NPN	S51-PA-5-C10-NK	
Receiver	2m cable	PNP	S51-PA-2-F00-PK	
		NPN	S51-PA-2-F00-NK	
	M12 connector	PNP	S51-PA-5-F00-PK	
		NPN	S51-PA-5-F00-NK	
Emitter	2m cable	-	S51-PA-2-G00-XG	
	M12 connector	-	S51-PA-5-G00-XG	
Radial	Optic Function	Connection	Output	Part Number
	Retro-reflective	2m cable	PNP	S51-PR-2-A00-PK
			NPN	S51-PR-2-A00-NK
		M12 connector	PNP	S51-PR-5-A00-PK
			NPN	S51-PR-5-A00-NK
	Polarized Retro-reflective	2m cable	PNP	S51-PR-2-B01-PK
			NPN	S51-PR-2-B01-NK
		M12 connector	PNP	S51-PR-5-B01-PK
			NPN	S51-PR-5-B01-NK
	Long Diffuse Proximity	2m cable	PNP	S51-PR-2-C01-PK
			NPN	S51-PR-2-C01-NK
		M12 connector	PNP	S51-PR-5-C01-PK
			NPN	S51-PR-5-C01-NK
Short Diffuse Proximity	2m cable	PNP	S51-PR-2-C10-PK	
		NPN	S51-PR-2-C10-NK	
	M12 connector	PNP	S51-PR-5-C10-PK	
		NPN	S51-PR-5-C10-NK	
Receiver	2m cable	PNP	S51-PR-2-F00-PK	
		NPN	S51-PR-2-F00-NK	
	M12 connector	PNP	S51-PR-5-F00-PK	
		NPN	S51-PR-5-F00-NK	
Emitter	2m cable	-	S51-PR-2-G00-XG	
	M12 connector	-	S51-PR-5-G00-XG	

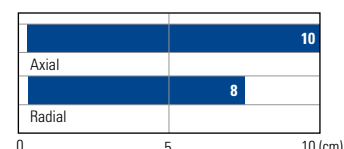
Additional models with metal housing are available. Contact IDEC for more information.

Operating Distance

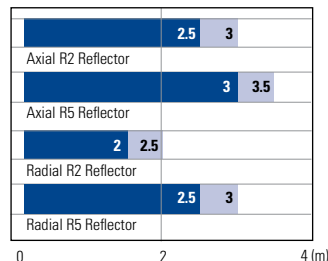
Retro-reflective



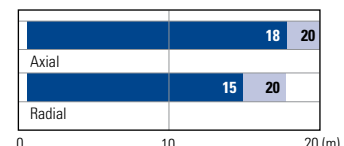
Short Diffused



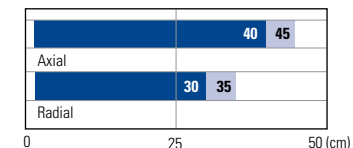
Polarized Retro-reflective



Through-beam



Long Diffuse



■ Recommended operating distance
■ Maximum operating distance



M18 Photoelectric Sensors - S51 Series

Cost-effective & Versatile Photoelectric Sensor

The S51 series offers a cost-effective solution in M18 photoelectric sensors, with a wide range of functions and operating distances. S51 sensors are available with either axial or radial 90° optics. In both cases, the optic head and lenses do not project beyond the external 18mm diameter of the sensor housing. The diffuse-proximity model has a 10cm fixed operating range with a wide emission spectrum. Also available is a version with a 1 - 40cm adjustable operating range.

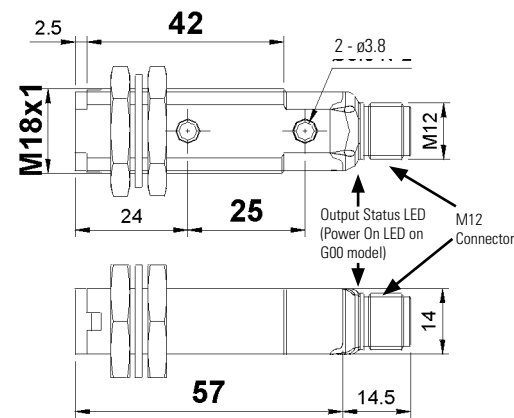
Standard retro-reflective models have an operating range up to 4m. The polarized retro-reflective models, used for reliable

detection of reflective objects, are fitted with a sensitivity adjustment and have a 3.5m operating range. The through-beam models, used for longer operating distances, reach 18 meters.

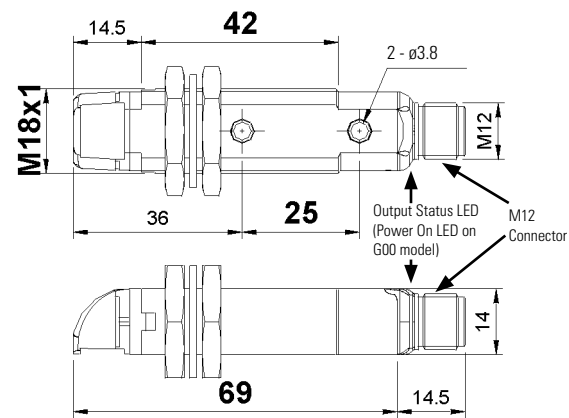
With cable or M12 connector versions and PNP or NPN output, the S51 sensors provide a 3-wire connection configuration in compliance with the EN60947-5-2 standard. The normally open output is activated in light mode in proximity models and in dark mode in retro-reflective models. The output mode can be inverted using the dark/light selection input wire provided, making these extremely versatile sensors.

Dimensions (mm)

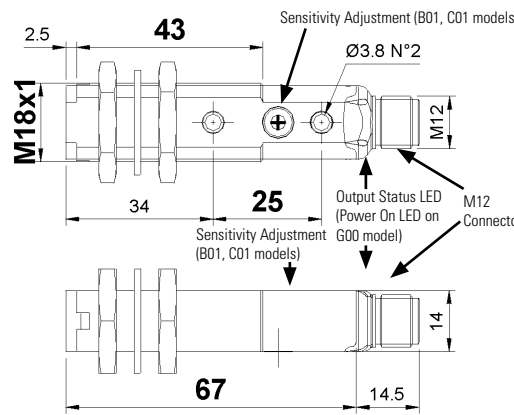
Retro-reflective, Short Diffused, Through-beam Emitter Axial Optic Models



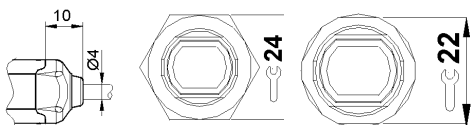
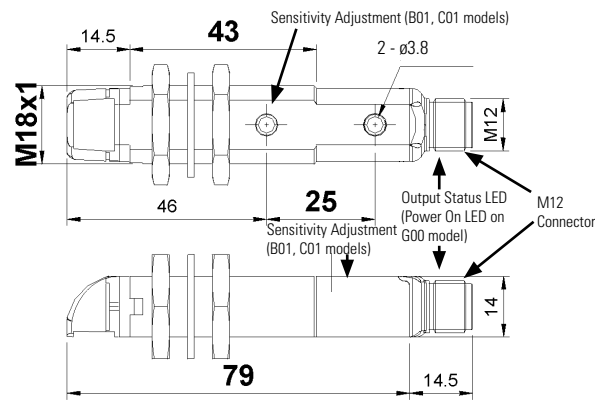
Radial Optic Models



Polarized Retro-reflective, Long Diffused, Through-beam Receiver Axial Optic Models

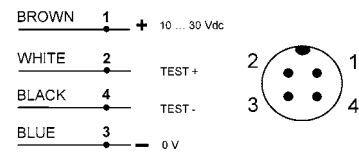


Radial Optic Models

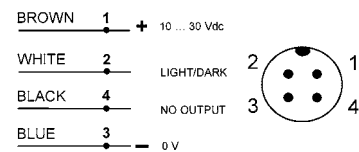


Connections

Through-beam



Retro-reflective, Polarized Retro-reflective, Long Diffused, Short Diffused, Through-beam



Indicators & Settings



For more information visit www.idec-ds.com

Specifications

Long Diffuse Proximity Operating Distance	1 - 40cm (radial version 30 cm)
Short Diffuse Proximity Operating Distance	0 - 10cm (radial version 8 cm)
Retro-reflective Operating Distance	0.1 - 4m on R2 (radial version 3 m) on R5
Polarized Retro-reflective Operating Distance	0.1 - 3m on R2 (radial version 2.5 m) on R5
Through-beam Operating Distance	0 - 18m (radial version 15 m)
Power Supply	10 - 30V DC ¹
Ripple	≤ 2 Vpp
Current Draw	≤ 35 mA
Light Emission ²	Infrared LED 880 nm Red LED 650 nm (B01 models)
Setting	Sensitivity adjustment (B01, C01 models) ³
Indicators	Yellow OUTPUT LED (excl. G00 models) Green POWER LED (G00 models)
Output Type	NPN or PNP versions
Output Current	≤ 100mA
Saturation Voltage	≤ 2V
Response Time	1ms 4ms (F00 mod.)
Switching Frequency	≤ 500Hz
Operating Mode	dark/light selectable ⁴
Auxiliary Functions	Test + and Test - (G00 mod.) ⁵
Connection	2m ø4 mm cable ⁶ M12 4-pole connector ⁷
Electrical Protection	Class 2
Mechanical Protection	IP67
Protection Devices	A, B ⁸
Housing Material	PBT
Lens Material	PMMA
Weight	25g max. (S51-PA/PR-5), 75g max. (S51-PA/PR-2)
Operating Temperature	-25 to +55°C
Storage Temperature	-25 to +70°C
Reference Standard	EN60947-5-2, UL 508

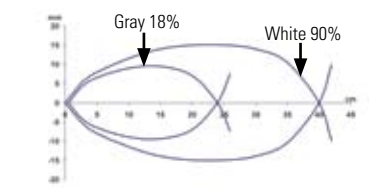
- Limit values.
- Average life of 100,000 hrs with $T_a = +25^\circ\text{C}$.
- 270° single-turn sensitivity adjustment.
- With L/D input not connected the proximity models function in the light mode and the retro-reflective and through-beam models in the dark mode; the light mode can be selected by connecting the L/D input to +V DC, the dark mode connecting it to 0V DC.
- Emitter off with Test+ connected to +V DC and Test- to 0V DC.
- PVC, 4 x 0.14mm²
- M12 connector compatible with quick connection systems.
- A - reverse polarity protection
B - overload and short-circuit protection

Connector Cables

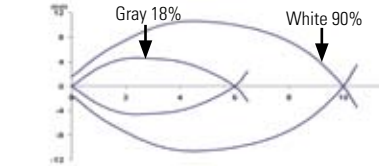
Appearance	Number of Core Wires	Type & Length	Use with	Part No.
	4	Straight, 5m	S51, S60, S62	CS-A1-02-G-05
	4	Right angle, 5m	S51, S60, S62	CS-A2-02-G-05

Detection Diagrams

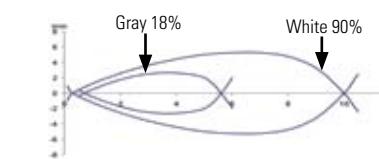
Long Diffused



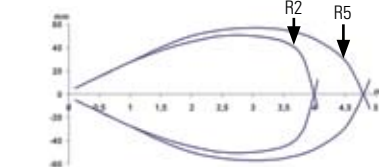
Short Diffused



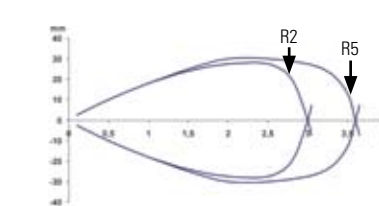
Short Diffuse Proximity



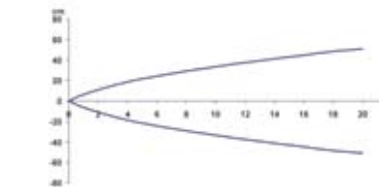
Retro-reflective



Polarized Retro-reflective

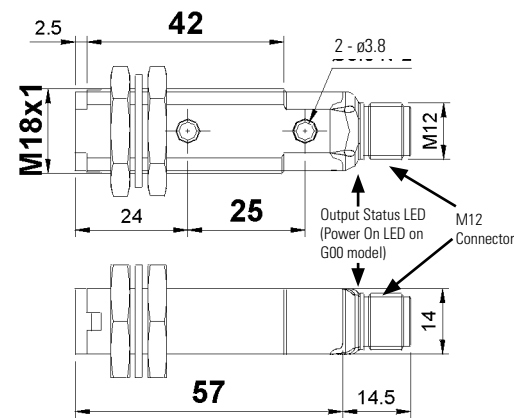


Through-beam

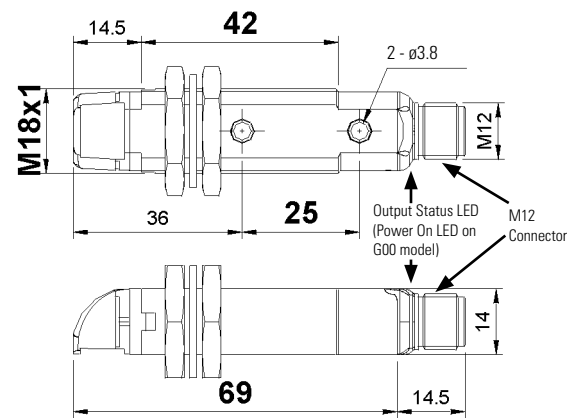


Dimensions (mm)

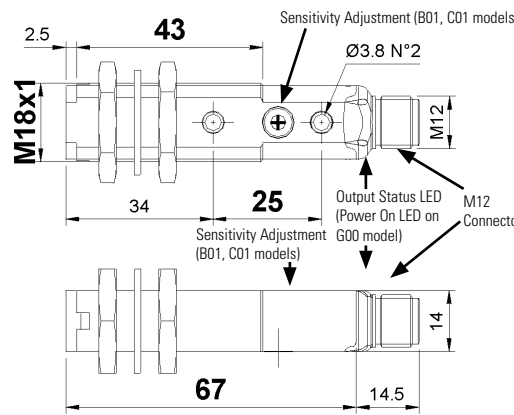
Retro-reflective, Short Diffused, Through-beam Emitter Axial Optic Models



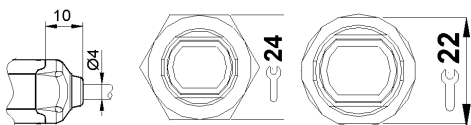
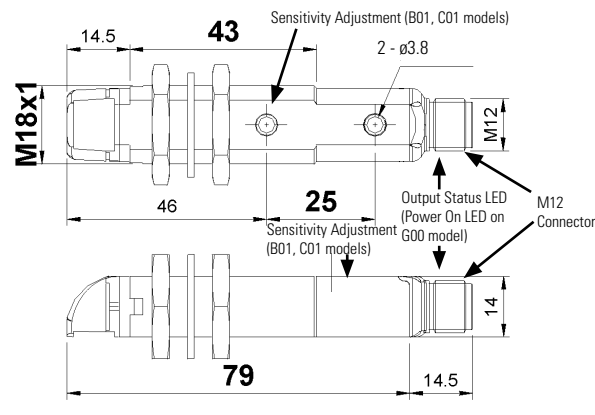
Radial Optic Models



Polarized Retro-reflective, Long Diffused, Through-beam Receiver Axial Optic Models

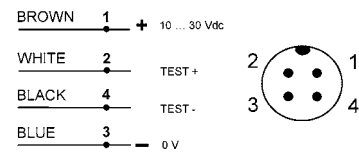


Radial Optic Models

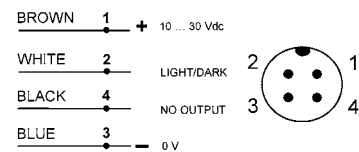


Connections

Through-beam



Retro-reflective, Polarized Retro-reflective, Long Diffused, Short Diffused, Through-beam



Indicators & Settings



For more information visit www.idec-ds.com



Specifications

Long Diffuse Proximity Operating Distance	1 - 40cm (radial version 30 cm)
Short Diffuse Proximity Operating Distance	0 - 10cm (radial version 8 cm)
Retro-reflective Operating Distance	0.1 - 4m on R2 (radial version 3 m) on R5
Polarized Retro-reflective Operating Distance	0.1 - 3m on R2 (radial version 2.5 m) on R5
Through-beam Operating Distance	0 - 18m (radial version 15 m)
Power Supply	10 - 30V DC ¹
Ripple	≤ 2 Vpp
Current Draw	≤ 35 mA
Light Emission ²	Infrared LED 880 nm Red LED 650 nm (B01 models)
Setting	Sensitivity adjustment (B01, C01 models) ³
Indicators	Yellow OUTPUT LED (excl. G00 models) Green POWER LED (G00 models)
Output Type	NPN or PNP versions
Output Current	≤ 100mA
Saturation Voltage	≤ 2V
Response Time	1ms 4ms (F00 mod.)
Switching Frequency	≤ 500Hz
Operating Mode	dark/light selectable ⁴
Auxiliary Functions	Test + and Test - (G00 mod.) ⁵
Connection	2m ø4 mm cable ⁶ M12 4-pole connector ⁷
Electrical Protection	Class 2
Mechanical Protection	IP67
Protection Devices	A, B ⁸
Housing Material	PBT
Lens Material	PMMA
Weight	25g max. (S51-PA/PR-5), 75g max. (S51-PA/PR-2)
Operating Temperature	-25 to +55°C
Storage Temperature	-25 to +70°C
Reference Standard	EN60947-5-2, UL 508

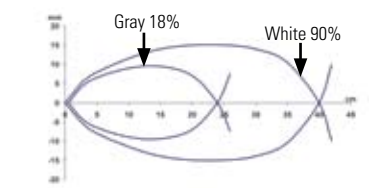
- Limit values.
- Average life of 100,000 hrs with T_a = +25°C.
- 270° single-turn sensitivity adjustment.
- With L/D input not connected the proximity models function in the light mode and the retro-reflective and through-beam models in the dark mode; the light mode can be selected by connecting the L/D input to +V DC, the dark mode connecting it to 0V DC.
- Emitter off with Test+ connected to +V DC and Test- to 0V DC.
- PVC, 4 x 0.14mm²
- M12 connector compatible with quick connection systems.
- A - reverse polarity protection
B - overload and short-circuit protection

Connector Cables

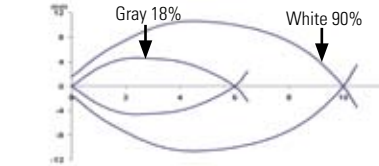
Appearance	Number of Core Wires	Type & Length	Use with	Part No.
	4	Straight, 5m	S51, S60, S62	CS-A1-02-G-05
	4	Right angle, 5m	S51, S60, S62	CS-A2-02-G-05

Detection Diagrams

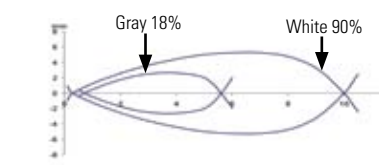
Long Diffused



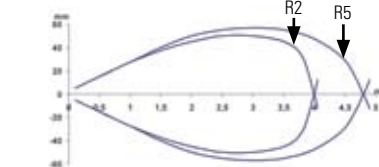
Short Diffused



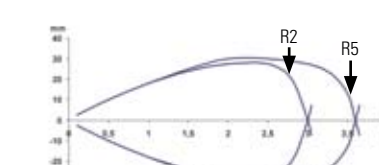
Short Diffuse Proximity



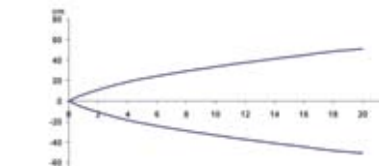
Retro-reflective



Polarized Retro-reflective



Through-beam



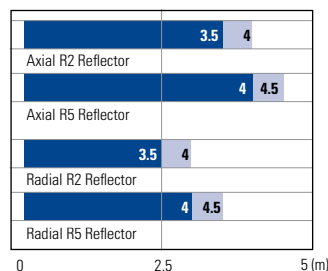
Part Numbers

Axial	Optic Function	Connection	Output	Part Number
	Retro-reflective	2m cable	PNP	S51-PA-2-A00-PK
			NPN	S51-PA-2-A00-NK
		M12 connector	PNP	S51-PA-5-A00-PK
			NPN	S51-PA-5-A00-NK
	Polarized Retro-reflective	2m cable	PNP	S51-PA-2-B01-PK
			NPN	S51-PA-2-B01-NK
		M12 connector	PNP	S51-PA-5-B01-PK
			NPN	S51-PA-5-B01-NK
	Long Diffuse Proximity	2m cable	PNP	S51-PA-2-C01-PK
			NPN	S51-PA-2-C01-NK
		M12 connector	PNP	S51-PA-5-C01-PK
			NPN	S51-PA-5-C01-NK
Short Diffuse Proximity	2m cable	PNP	S51-PA-2-C10-PK	
		NPN	S51-PA-2-C10-NK	
	M12 connector	PNP	S51-PA-5-C10-PK	
		NPN	S51-PA-5-C10-NK	
Receiver	2m cable	PNP	S51-PA-2-F00-PK	
		NPN	S51-PA-2-F00-NK	
	M12 connector	PNP	S51-PA-5-F00-PK	
		NPN	S51-PA-5-F00-NK	
Emitter	2m cable	-	S51-PA-2-G00-XG	
	M12 connector	-	S51-PA-5-G00-XG	
Radial	Optic Function	Connection	Output	Part Number
	Retro-reflective	2m cable	PNP	S51-PR-2-A00-PK
			NPN	S51-PR-2-A00-NK
		M12 connector	PNP	S51-PR-5-A00-PK
			NPN	S51-PR-5-A00-NK
	Polarized Retro-reflective	2m cable	PNP	S51-PR-2-B01-PK
			NPN	S51-PR-2-B01-NK
		M12 connector	PNP	S51-PR-5-B01-PK
			NPN	S51-PR-5-B01-NK
	Long Diffuse Proximity	2m cable	PNP	S51-PR-2-C01-PK
			NPN	S51-PR-2-C01-NK
		M12 connector	PNP	S51-PR-5-C01-PK
			NPN	S51-PR-5-C01-NK
Short Diffuse Proximity	2m cable	PNP	S51-PR-2-C10-PK	
		NPN	S51-PR-2-C10-NK	
	M12 connector	PNP	S51-PR-5-C10-PK	
		NPN	S51-PR-5-C10-NK	
Receiver	2m cable	PNP	S51-PR-2-F00-PK	
		NPN	S51-PR-2-F00-NK	
	M12 connector	PNP	S51-PR-5-F00-PK	
		NPN	S51-PR-5-F00-NK	
Emitter	2m cable	-	S51-PR-2-G00-XG	
	M12 connector	-	S51-PR-5-G00-XG	

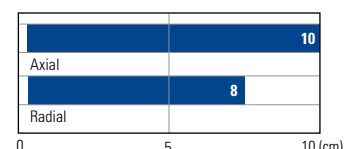
Additional models with metal housing are available. Contact IDEC for more information.

Operating Distance

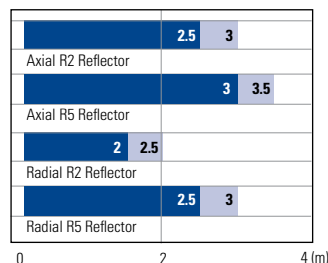
Retro-reflective



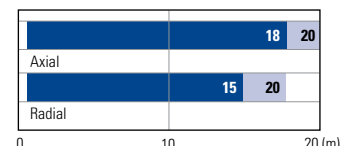
Short Diffused



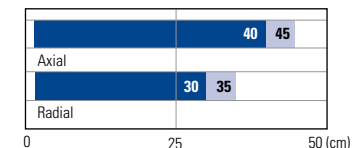
Polarized Retro-reflective



Through-beam



Long Diffuse



Recommended operating distance
 Maximum operating distance



M18 Photoelectric Sensors - S51 Series

Cost-effective & Versatile Photoelectric Sensor

The S51 series offers a cost-effective solution in M18 photoelectric sensors, with a wide range of functions and operating distances. S51 sensors are available with either axial or radial 90° optics. In both cases, the optic head and lenses do not project beyond the external 18mm diameter of the sensor housing. The diffuse-proximity model has a 10cm fixed operating range with a wide emission spectrum. Also available is a version with a 1 - 40cm adjustable operating range.

Standard retro-reflective models have an operating range up to 4m. The polarized retro-reflective models, used for reliable

detection of reflective objects, are fitted with a sensitivity adjustment and have a 3.5m operating range. The through-beam models, used for longer operating distances, reach 18 meters.

With cable or M12 connector versions and PNP or NPN output, the S51 sensors provide a 3-wire connection configuration in compliance with the EN60947-5-2 standard. The normally open output is activated in light mode in proximity models and in dark mode in retro-reflective models. The output mode can be inverted using the dark/light selection input wire provided, making these extremely versatile sensors.

X-ON Electronics

Largest Supplier of Electrical and Electronic Components

Click to view similar products for [Photoelectric Sensors](#) category:

Click to view products by [Idec](#) manufacturer:

Other Similar products are found below :

[E3JM-DS70R4T-US](#) [E3L2DC4](#) [E3RA-DN12 2M](#) [E3RA-DP12 2M](#) [E3S5LE4S](#) [E3S-AD38](#) [E3S-CR11 5M](#) [E3SCT11D5M](#) [E3SCT11M1J03M](#)
[E3T-SL14R](#) [E3T-SL24 5M](#) [E3T-ST12R](#) [E3X-CN02](#) [E3X-CN11 5M](#) [E3X-CN21 10M](#) [E3ZM-B66](#) [E3ZM-CL81H 2M](#) [E3Z-T62 2M](#)
[NJL5303R-TE1](#) [PB10CNT15PO](#) [PD60CNX20BP](#) [CX-491-P-J](#) [CX-491-Z](#) [XUM2BKCNL2T](#) [XUM2BKCNL2T](#) [XUM2BNANL2R](#) [Y92E-](#)
[ES30M](#) [Y92E-GS08SS](#) [ZXTDS04T](#) [ZX-XC4A 4M](#) [E3E23Y2US](#) [E3JM-DS70S4-US](#) [E3RA-RN11 2M](#) [E3S5LE42M](#) [E3S-LS20XB4 5M](#)
[E3TFD14N](#) [E3T-FD14R](#) [E3T-SL21 5M](#) [E3T-SL21M](#) [E3T-ST11R](#) [E3T-ST12 5M](#) [E3X-DA41-S-M1J 0.3M](#) [E3X-DAB6](#) [E3X-DAG8](#) [E3ZM-](#)
[B86](#) [E3ZM-CR81 2M](#) [E3ZM-CR86](#) [E3Z-T61A-L 2M](#) [ZX-XGC2R](#) [ZX-XB1A](#)