

High-speed Fiber Optic: SA1C-F



Key features:

- Ideal for remote sensing applications
- Featuring quick-connect cable and easy-insert fiber optic units for simple installation
- Through-beam and reflected-light sensing available
- Sensing range up to 7.09" (180mm) for through-beam sensors
- Dual outputs: Select NPN and PNP transistor outputs or NPN transistor output combined with a self-diagnostic output
- Outputs selectable for light on or dark on
- High-speed, 50 μ s response time
- Featuring variable off-delay (0 to 100msec) and fine-tune sensitivity adjustment
- Stable LED makes alignment easy
- Red or green LEDs available for detecting color marks
- Mount on a 35mm DIN rail



The perfect fiber optic sensor for applications where you have difficulty mounting regular or miniature sensors or where accessibility is a problem.

Available in through-beam and retro-reflective models, the built-in variable off-delay (0 - 10ms) can help you bring your complete system in tune.

The 50 μ s response time ensures detection of fast moving targets in a high-speed manufacturing environment where speed counts.

Part Numbers

Function	Amplifier	Output	Light Source	Response	Through-Beam Units		Diffuse-Reflected Units	
					Part Number	Range	Part Number	Range
OI Touchscreens	SA1C-FN3E (Cable) SA1C-FN3EC (Quick-Connect)	30V DC NPN transistor: 100mA (maximum) Self-diagnostic: 50mA (maximum)	Red LED	Standard speed: 0.5 ms	SA9F-TS: ϕ 0.16" (M4) Straight	180mm (7.09")	SA9F-DS: ϕ 0.24" (M6) Straight	60mm (2.36")
		SA9F-TC: ϕ 0.16" (M4) Coiled			150mm (5.91")	SA9F-DC: ϕ 0.24" (M6) Coiled	25mm (0.98")	
PLCs	SA1C-FD3F (Cable) SA1C-FD3FC (Quick-Connect)	30V DC NPN transistor: 100mA (maximum) PNP transistor: 200mA (maximum)	Red LED	Standard speed: 0.5 ms	SA9F-TT: ϕ 0.12" (M3) Straight	50mm (1.97")	SA9F-DD: ϕ 0.24" (M6) Coaxial	60mm (2.36")
		SA9F-TM: ϕ 0.16" (M4) Multicore			150mm (5.91")	SA9F-DT: ϕ 0.12" (M3) Straight	20mm (0.79")	
Automation Software	SA1C-FN3EG (Cable) SA1C-FN3EGC (Quick-Connect)	30V DC NPN transistor: 100mA (maximum) Self-diagnostic: 50mA (maximum)	Green LED	Standard speed: 0.5 ms	SA9F-TS: ϕ 0.16" (M4) Straight	16mm (0.63")	SA9F-DS: ϕ 0.24" (M6) Straight	7mm (0.28")
		SA9F-TC: ϕ 0.16" (M4) Coiled			14mm (0.55")	SA9F-DC: ϕ 0.24" Incompatible with green LED	N/A	
Power Supplies	SA1C-FD3FG (Cable) SA1C-FD3FGC (Quick-Connect)	30V DC NPN transistor: 100mA (maximum) PNP transistor: 200mA (maximum)	Green LED	Standard speed: 0.5 ms	SA9F-TT: ϕ 0.12" (M3) Straight	5mm (0.20")	SA9F-DD: ϕ 0.24" (M6) Coaxial	7mm (0.28")
		SA9F-TM: ϕ 0.16" (M4) Multicore			14mm (0.55")	SA9F-DT: ϕ 0.12" Incompatible with green LED	N/A	
Sensors	SA1C-F1N3E (Cable) SA1C-F1N3EC (Quick-Connect)	30V DC NPN transistor: 100mA (maximum) Self-diagnostic: 50mA (maximum)	Red LED	High- speed: 50 μ s	SA9F-TT: ϕ 0.12" (M3) Straight	15mm (0.59")	SA9F-DS: ϕ 0.24" (M6) Coaxial	20mm (0.79")
		SA9F-TM: ϕ 0.16" (M4) Multicore			40mm (1.57")	SA9F-DT: ϕ 0.12" (M3) Straight	6mm (0.24")	
	SA1C-F1D3F (Cable) SA1C-F1D3FC (Quick-Connect)	30V DC NPN transistor: 100mA (maximum) PNP transistor: 200mA (maximum)	Red LED	High- speed: 50 μ s	SA9F-TT: ϕ 0.12" (M3) Straight	15mm (0.59")	SA9F-DD: ϕ 0.24" (M6) Coaxial	20mm (0.79")
		SA9F-TM: ϕ 0.16" (M4) Multicore			40mm (1.57")	SA9F-DT: ϕ 0.12" (M3) Straight	6mm (0.24")	
					SA9F-TH: Heat-resistant glass fiber	30mm (1.18")	SA9F-DM: ϕ 0.01" (0.26mm) Multicore	18mm (0.71")
					SA9F-TL: Side view	13mm (0.51")	SA9F-DH: Heat-resistant glass fiber	7mm (0.28")
							SA9F-DL: Side view	3mm (0.12")



Function is determined by the fiber optic unit used.

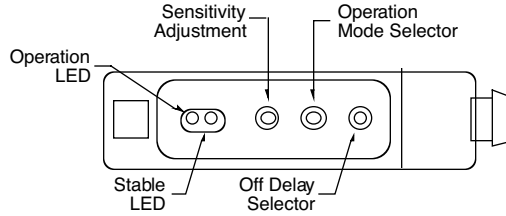
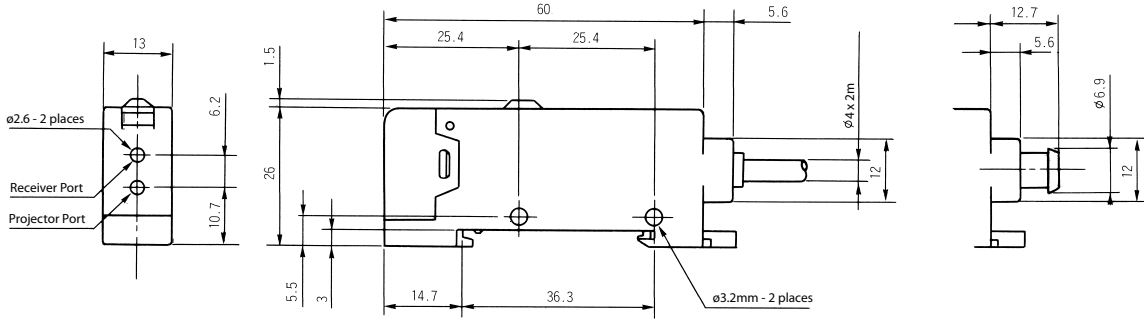
For information on accessories, see page 203.

Specifications

		SA1C-FN, -FD (Standard Speed)	SA1C-F1N, -F1D (High-speed)	
General Specifications	Power Voltage	12V to 24V DC	√	
	Operating Voltage	10V to 30V DC, ripple 10% (maximum)	√	
	Current Draw	30mA (maximum)	√	—
		40mA (maximum)	—	√
	Operating Temperature	Amplifier only: -25° to +55°C Fiber optic cords (except heat-resistant types): -40° to +70°C Heat-resistant fiber optic cords: -40°C to +350°C (avoid ice coating)	√	√
	Operating Humidity	35 to 85% RH (avoid condensation)	√	√
	Extraneous Light Immunity	Sunlight: 10,000 lux (maximum); Incandescent light: 3,000 lux (maximum) on receiver surface— defined as incident or unwanted light received by a sensor, unrelated to the presence or absence of the intended object	√	√
	Material	Amplifier only: PBT resin (housing) with polycarbonate lens Fiber optic cords (except heat-resistant types): Nickel-plated brass (sensing head), polyethylene-covered PMMA (cord), and SUS304 stainless (sleeve) Heat-resistant fiber optic cords: SUS 304 stainless (sensing head) and SUS spiral tube around glass fiber cord	√	√
	Degree of Protection	IP66 — IEC Pub 529, sensors rated IP66 are dust-tight, water-resistant, and perform best when not subjected to heavy particle or water blasts	√	√
	Connection	Cable type: 0.2mm ² ; Vinyl cabtyre cable #24 AWG, 6'–6-3/4' (2m) long Connector type: Ø 0.31" (8mm) 3- or 4-pin connector (cable ordered separately for quick connect sensors)	√	√
	Light Source	Red or green LED (pulse-modulated)	√	√
	Output	NPN transistor: 30V DC (1.2V residual), 100mA (maximum) PNP transistor: 30V DC (2.0V residual), 200mA (maximum) Self-diagnostic: 30V DC (1.2V residual), 50mA (maximum)	√	√
	Response	0.5ms (maximum)	√	—
		50µs (maximum)	—	√
Off Delay	0 to 100 ms (adjustable)	√	√	
Sensitivity	4-turn adjustment	√	√	
Minimum Bending Radius	Fiber optic cord (except SA9F-TT, -DT, -TL, and -DL): 1"R (25mm); Sleeve: 0.39"R (10mm) SA9F-TT and -DT: 0.59"R (15mm); Sleeve: 0.39"R (10mm) SA9F-TL and DL: 0.59"R (15mm); Sleeve: Unbendable	√	√	
Function Specifications	Operation Mode	Light on or dark on (selectable by switch on amplifier)	√	
	Indicator	Operation indicator: Red LED (out)	√	
		Stable level indicator: Green LED (stable)	√	
	Noise Resistance	Normal Mode	500V	√
			300V	—
		Common Mode	300V	√
	150V		—	
	Pulse Width	50ns –1µs, 100Hz (using a noise simulator)	√	
	Storage Temperature	-30 to +70°C (avoid freezing)	√	
	Insulation Resistance	20M minimum with 500V DC megger (between live & dead parts)	√	
Dielectric Strength	1000V, 1 minute (between live & dead parts)	√		
Vibration Resistance	Damage limits: 10 – 55Hz Amplitude: 1.5mm p-p, 20 cycles in each of 3 axes crossed (one cycle = 5 minutes)	√		
Shock Resistance	Damage limits: 500m/s ² (approximately 49G), 10 shocks in each of 3 axes	√		
Weight	Cable type: Approximately 75g Quick-connect type: Approximately 30g	√		



Dimensions (mm)



Detecting Color Marks

Color of Mark	Background Color										
	White	Yellow	Chartreuse	Orange	Red	Magenta	Turquoise	Blue	Violet	Green	Black
White	-	❖	◆	❖	❖	◆	◆	◆	◆	◆	◆
Yellow	❖	-	◆	❖	❖	❖	◆	◆	◆	◆	◆
Chartreuse	◆	◆	-	□	□	❖	□	◆	❖	◆	◆
Orange	❖	❖	□	-	-	❖	□	◆	◆	◆	◆
Red	❖	❖	□	-	-	□	□	◆	◆	◆	◆
Magenta	◆	❖	❖	❖	□	-	□	□	-	□	◆
Turquoise	◆	◆	□	□	□	□	-	□	◆	❖	◆
Blue	◆	◆	◆	◆	◆	□	□	-	□	□	□
Violet	◆	◆	❖	◆	◆	-	◆	□	-	□	□
Green	◆	◆	◆	◆	◆	□	❖	□	□	-	□
Black	◆	◆	◆	◆	◆	◆	◆	□	□	□	-

- = Use Red LED
- ❖ = Use Green LED
- ◆ = Use Red or Green LED
- = Not Detectable

OT Touchscreens

PLCs

Automation Software

Power Supplies












Sensors

Communication











Barriers

Accessories


Reflectors

Appearance	Item	Use with	Part Number	
	Standard reflector	SA1E	IAC-R5	
	Small reflector		IAC-R6	
	Large reflector		IAC-R8	
	Narrow (rear/side mounting)		IAC-R7M	
	Narrow (side mounting)		IAC-R7S	
	Narrow (rear mounting)		IAC-R7B	
	Tape (35 x 40mm)		IAC-RS1	
	Tape (70 x 80mm)		IAC-RS2	
	Standard		SA1E-X	IAC-R9
	Small			IAC-R10
	Ultra-small	IAC-R11		









Brackets

Appearance	Item	Use with	Part Number	
	Vertical mounting bracket	SA1E	SA9Z-K01	
	Horizontal mounting bracket		SA9Z-K02	
	Cover mounting bracket		SA9Z-K03	
	Back mounting bracket		SA9Z-K04	
	Reflector mounting bracket		IAC-L2	
	Reflector mounting bracket		IAC-L3	
	Reflector mounting bracket		IAC-L5	
	Reflector mounting bracket			
	Reflector mounting bracket			
	Reflector mounting bracket			


Slits

Appearance	Item	Slit Size	Use with	Part Number	Min. Order Qty
	Vertical slit	0.5mm x 18mm	SA1E	SA9Z-S06	2
		1.0mm x 18mm		SA9Z-S07	
		2.0mm x 18mm		SA9Z-S08	
	Horizontal slit	0.5mm x 6.5mm		SA9Z-S09	
		1.0mm x 6.5mm		SA9Z-S10	
		2.0mm x 6.5mm		SA9Z-S11	
		ø0.5mm		SA9Z-S12	
	Round slit	ø1.0mm		SA9Z-S13	
		ø2.0mm		SA9Z-S14	


Connector Cables (for connector model sensors)

Appearance	Number of Core Wires	Type & Length	Use with	Part No.
	4	Straight, 2m	SA1E	SA9Z-CM8K-4S2
		Straight, 5m		SA9Z-CM8K-4S5
		Right angle, 2m		SA9Z-CM8K-4L2
		Right angle, 5m		SA9Z-CM8K-4L5
	4	2m	SA1C-F	SA9C-CA4D2
		5m		SA9C-CA4D5
		2m		SA9C-CA4D2S
		5m		SA9C-CA4D5S

Air Blower Mounting Blocks

Appearance	Item	Use with	Part Number
	Air blower mounting block	SA1E	SA9Z-A02

Sensitivity Control Screwdriver

Item	Part No.	Package Quantity
	SA9Z-AD01	1

Diffuse-Reflected Light Fiber Optic Units - SA9F

Appearance	Part Number	Description	Use with	Range
	<p>SA9F-DS31 No sleeve</p> <p>SA9F-DS32 3.54" (90mm) sleeve</p> <p>SA9F-DS33 1.77" (45mm) sleeve</p>	<p>Straight: Two fibers ø1mm (0.04")</p> <p>Threaded mount: ø6mm (M6)</p> <p>Detects: ø0.03mm (0.0012") minimum object</p>	<p>SA1C-FK3</p> <p>SA1C-FK3G</p> <p>SA1C-F</p>	<p>60mm (2.36")</p> <p>7mm (0.28")</p>
	<p>SA9F-DC31 No sleeve</p> <p>SA9F-DC32 3.54" (90mm) sleeve</p> <p>SA9F-DC33 1.77" (45mm) sleeve (All three not compatible with green LED)</p>	<p>Coiled: Two fibers ø1mm (0.04")</p> <p>Threaded mount: ø6mm (M6)</p> <p>Detects: ø0.03mm (0.0012") minimum object</p>	<p>SA1C-FK3</p> <p>SA1C-FK3G</p> <p>SA1C-F</p>	<p>25mm (0.98")</p> <p>—</p>
	<p>SA9F-DT11 No sleeve</p> <p>SA9F-DT12 3.54" (90mm) sleeve</p> <p>SA9F-DT13 1.77" (45mm) sleeve (All three not compatible with green LED)</p>	<p>Straight: Two fibers ø0.5mm (0.02")</p> <p>Threaded mount: ø3mm (M3)</p> <p>Detects: ø0.03mm (0.0012") minimum object</p>	<p>SA1C-FK3</p> <p>SA1C-FK3G</p> <p>SA1C-F</p>	<p>20mm (0.78")</p> <p>—</p>
	<p>SA9F-DD31</p>	<p>Coaxial: Core ø1mm (0.04") + 16 fibers: ø0.26mm (0.01")</p> <p>Threaded mount: ø6mm (M6)</p> <p>Detects: ø0.03mm (0.0012") minimum object</p>	<p>SA1C-FK3</p> <p>SA1C-FK3G</p> <p>SA1C-F</p>	<p>60mm (2.36")</p> <p>7mm (0.28")</p>
	<p>SA9F-DM74 1 row = 32 fibers</p> <p>SA9F-DM75 2 rows = 16 each (Not compatible with green LED)</p>	<p>Multicore: 32 fibers ø0.26mm (0.010")</p> <p>Detects: ø0.06mm (0.0024") minimum object</p>	<p>SA1C-FK</p> <p>SA1C-FK3G</p> <p>SA1C-F (not compatible with SA9F-DM75, SA9F-DM76)</p>	<p>60mm (2.36")</p> <p>4mm (0.16")</p>
	<p>SA9F-DH21 No sleeve</p> <p>SA9F-DH22 3.54" (90mm) sleeve (Both not compatible with green LED)</p>	<p>Heat-resistant glass: Two fibers ø0.7mm (0.03")</p> <p>Threaded mount: ø4mm (M4)</p> <p>Detects: ø0.03mm (0.0012") minimum object</p>	<p>SA1C-FK3</p> <p>SA1C-FK3G</p> <p>SA1C-F</p>	<p>27mm (1.06")</p> <p>—</p>

OI Touchscreens

PLCs

Automation Software

Power Supplies

Sensors

Communication

Barriers

Through-Beam Fiber Optic Units - SA9F

Appearance	Part Number	Description	Amplifier	Range
	SA9F-TS21 No sleeve SA9F-TS23 1.77" (45mm) sleeve	Straight fiber: ø1mm (0.04") Threaded mount: ø4mm (M4) Detects: ø0.3mm (0.012") minimum object	SA1C-FK3 SA1C-FK3G SA1C-F	180mm (7.09") 16mm (0.63")
	SA9F-TC21 No sleeve	Coiled fiber: ø1mm (0.04") Threaded mount: ø4mm (M4) Detects: ø0.3mm (0.012") minimum object	SA1C-FK3 SA1C-FK3G SA1C-F	150mm (5.91") 14mm (0.55")
	SA9F-TT11 No sleeve	Straight fiber: ø0.5mm (0.02") Threaded mount: ø3mm (M3) Detects: ø0.15mm (0.006") minimum object	SA1C-FK3 SA1C-FK3G SA1C-F	50mm (1.97") 5mm (0.2")
	SA9F-TM21 No sleeve SA9F-TM22 3.54" (90mm) sleeve SA9F-TM23 1.77" (45mm) sleeve 16 fibers (cluster)	Multicore: ø0.26mm (0.010") Threaded mount: ø4mm (M4) Detects: ø0.3mm (0.012") minimum object	SA1C-FK3 SA1C-FK3G SA1C-F	150mm (5.91") 14mm (0.55")
	SA9F-TM74 16 fibers in one row	Multicore: 16 fibers (one row) ø0.26mm (0.010") Detects: ø0.06mm (0.0024") minimum object	SA1C-FK3 SA1C-FK3G SA1C-F	150mm (5.91") 14mm (0.55")
	SA9F-TH21 No sleeve SA9F-TH22 3.54" (90mm) sleeve	Heat-resistant glass fiber: ø1mm (0.04") Threaded mount: ø4mm (M4) Detects: ø0.3mm (0.012") minimum object	SA1C-FK3 SA1C-FK3G SA1C-F	100mm (3.94") 8mm (0.31")

I/O Touchscreens

PLCs

Automation Software

Power Supplies

Sensors

Communication

Barriers

Miscellaneous Accessories

Description	Use with		Part Number
Fiber cutter	All fiber units except heat resistant	HxLxD: 23x 45 x 8mm (0.91" x 1.77" x 0.31") Included with fiber units; order replacement only	SA9Z-F01
Set of 2 easy-insert adaptors	SA9F-TT, SA9F-TL, SA9F-DT, and SA9F-DL	ø2.2 x 24mm long (ø0.087" (OD) x 0.945") Included with applicable fiber optic units; order replacement set only	SA9Z-F02
Lens attachment for long-range detection of opaque objects, minimum size: Ø 0.14" (3.5mm)	SA1C-F through-beam fiber unit only		SA9Z-F11
	Sensing ranges: Standard speed red LED: SA9F-TS21: 1.3m (4' - 3-3/16") SA9F-TC21: 1m (3' - 3-3/8") 0.1m (3.94") SA9F-TM21: 1.05m (3' - 5-3/8")		
	Sensing ranges: Standard speed green LED: SA9F-TS21: 0.135m (5.31") SA9F-TC21: 0.1m (3.94") SA9F-TM21: 0.13m (5.12")		
Side view attachment to rotate axis by 90° for detection of opaque objects, minimum size: Ø 0.14" (3.5mm)	SA1C-F through-beam fiber unit only		SA9Z-F12
	Sensing ranges: Standard speed red LED: SA9F-TS21: 200mm (7.87") SA9F-TC21: 130mm (5.12") SA9F-TM21: 160mm (6.30")		
	Sensing ranges: High-speed red LED: SA9F-TS21: 50mm (1.97") SA9F-TC21: 35mm (1.38") SA9F-TM21: 40mm (1.57")		
Side-on attachment for narrow clearance, Range: 1.26" (32mm), for detection of transparent or opaque objects	SA1C-F diffuse-reflected light fiber unit only		SA9Z-F13
	Sensing ranges: Standard speed red LED: SA9F-TS21: 35mm (1.38") SA9F-TC21: 30mm (1.81") SA9F-TM21: 35mm (1.38")		
Attachment for high-accuracy: Range: 0.4" ± 0.04" (10mm ± 1mm), for detection of transparent or opaque objects	SA1C-F through-beam fiber unit only		SA9Z-F14
	Sensing ranges: Standard speed red LED:		
	SA9F-TS21: 10mm ± 1mm SA9F-TC21: (0.394" ± 0.039") SA9F-TM21:		

OI Touchscreens

PLCs

Automation Software

Power Supplies

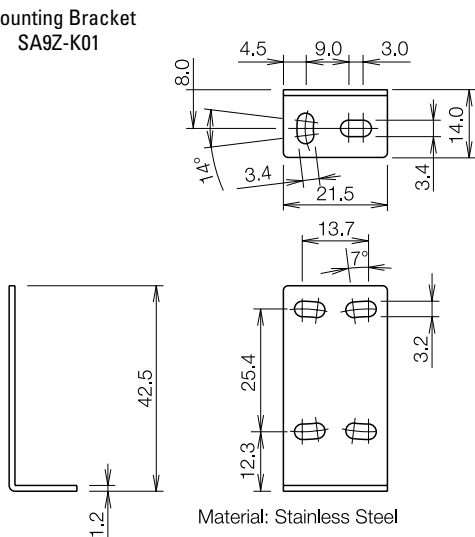
Sensors

Communication

Barriers

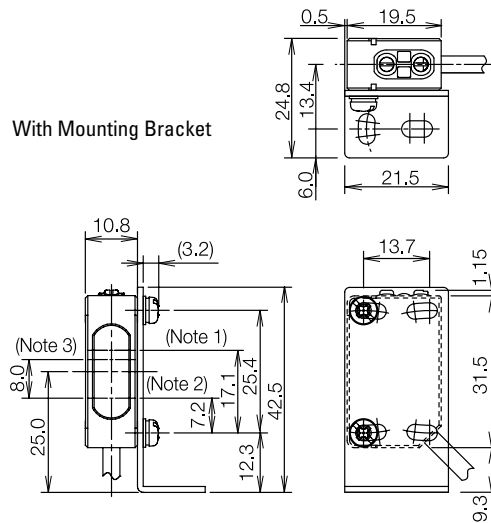
Accessory Dimensions (mm)

Mounting Bracket
SA9Z-K01



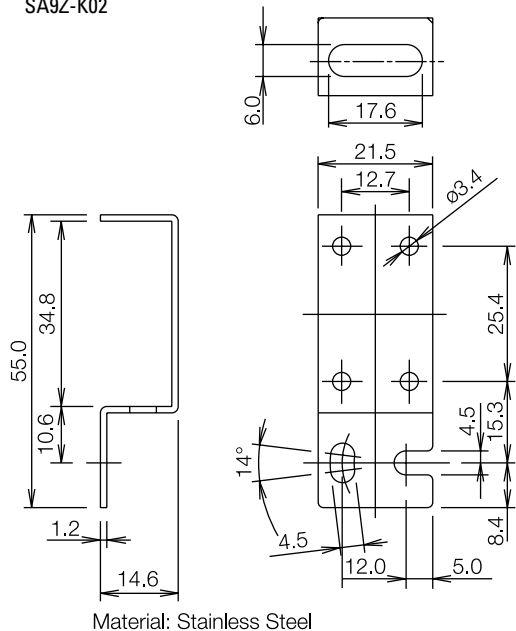
Material: Stainless Steel

With Mounting Bracket



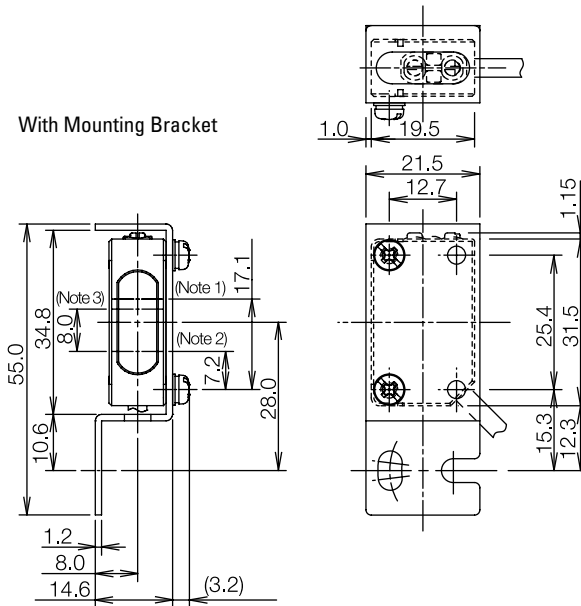
Note 1: Projector (through-beam)Receiver (through-beam)
 Note 2: Projector (polarized retroreflective, background suppression)
 Note 3: Receiver (polarized retroreflective)

SA9Z-K02



Material: Stainless Steel

With Mounting Bracket



Note 1: Projector (through-beam)Receiver (through-beam)
 Note 2: Projector (polarized retroreflective, background suppression)
 Note 3: Receiver (polarized retroreflective)

OT Touchscreens

PLCs

Automation Software

Power Supplies

Sensors

Communication

Barriers

OI Touchscreens

PLCs

Automation Software

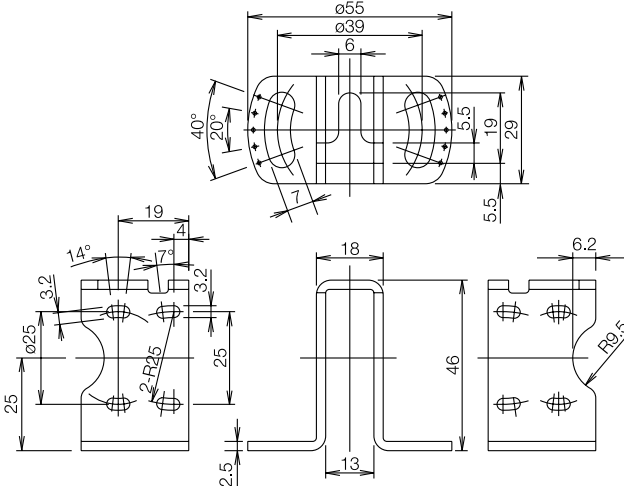
Power Supplies

Sensors

Communication

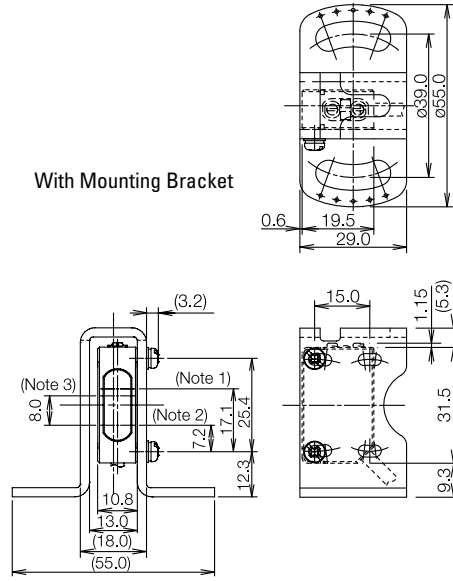
Barriers

SA9Z-K03



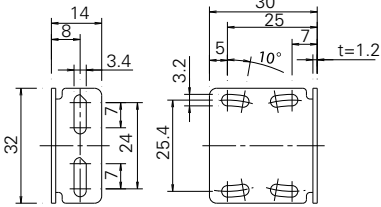
Material: Stainless Steel

With Mounting Bracket



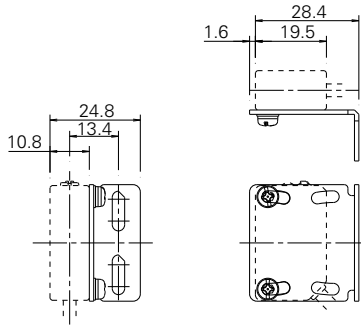
Note 1: Projector (through-beam)Receiver (through-beam)
 Note 2: Projector (polarized retroreflective, background suppression)
 Note 3: Receiver (polarized retroreflective)

SA9Z-K04

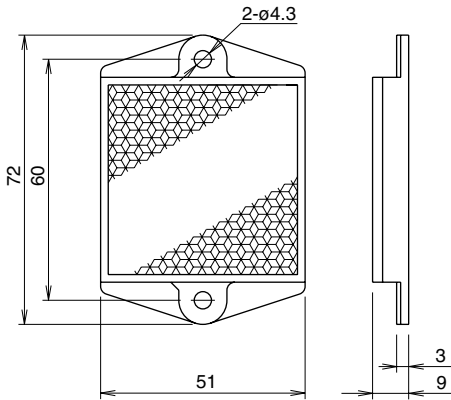


Material: Stainless Steel

With Mounting Bracket

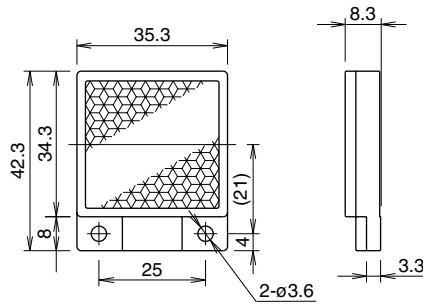


Reflector
IAC-R5



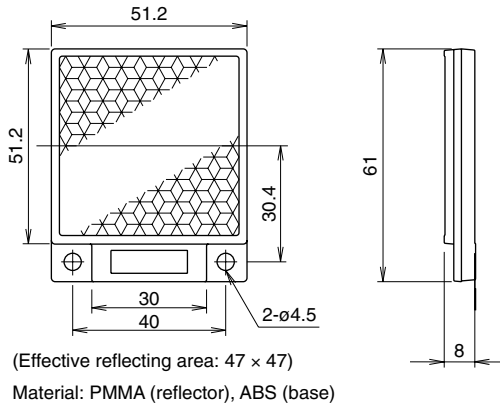
(Effective reflecting area: 47.2×47.2)
 Material: PMMA (reflector), ABS (base)

IAC-R6

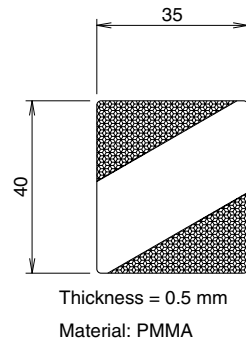


(Effective reflecting area: 30×31)
 Material: PMMA (reflector), ABS (base)

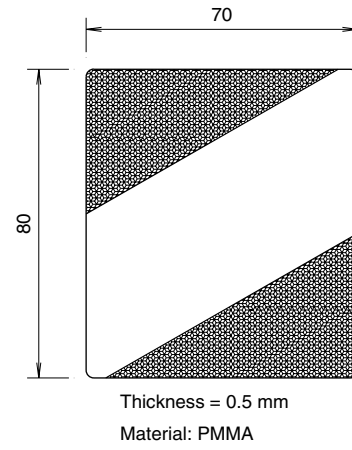
Reflector
IAC-R8



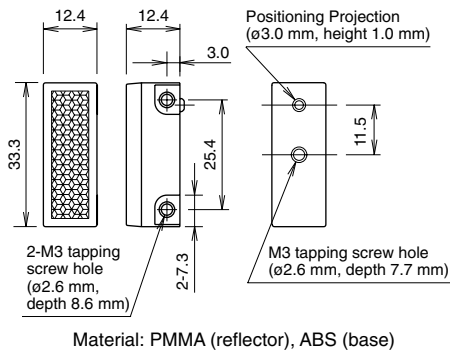
IAC-RS1



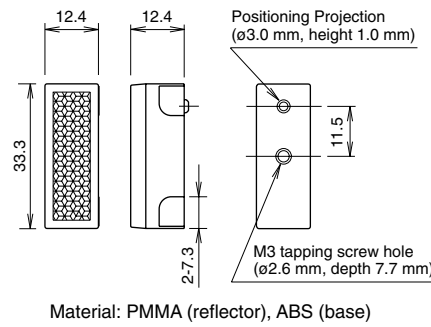
IAC-RS2



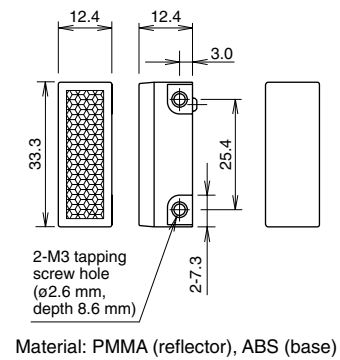
IAC-R7M (rear/side mounting)



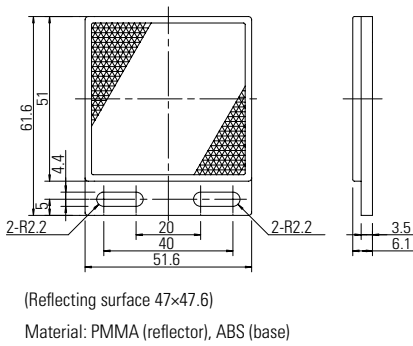
IAC-R7B (rear mounting)



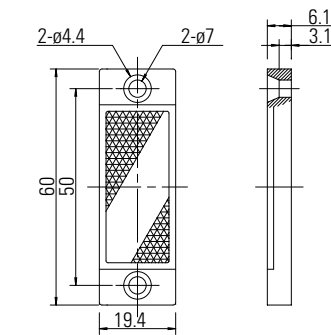
IAC-R7S (side mounting)



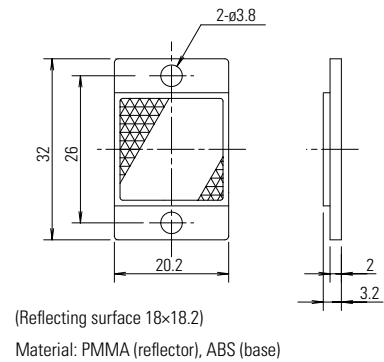
IAC-R9



IAC-R10



IAC-R11



01 Touchscreens

PLCs

Automation Software

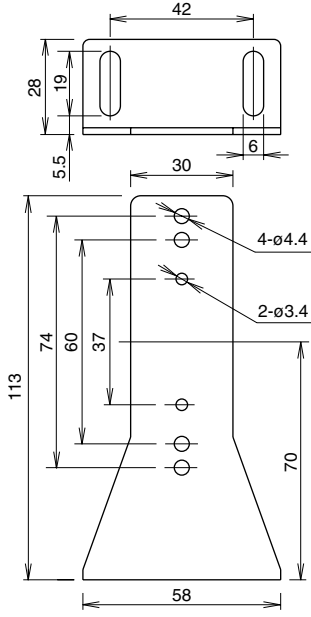
Power Supplies

Sensors

Communication

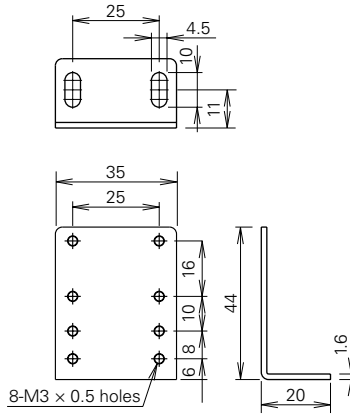
Barriers

Reflector Mounting Bracket
IAC-L2 (for IAC-R5)



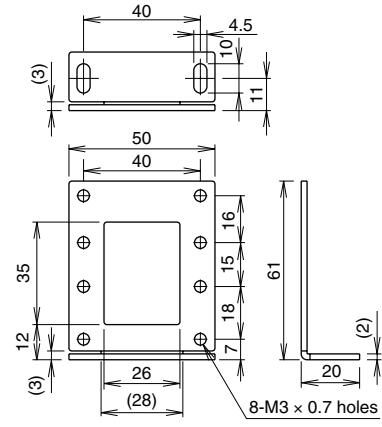
Material: SPCC (zinc chromate plating, black)

IAC-L3 (for IAC-R6)



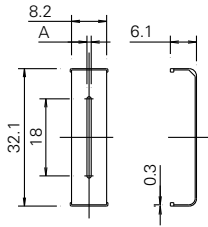
Material: SPCC (zinc plating)

IAC-L5 (for IAC-R8)



Material: SPCC (zinc plating)

Slit (Vertical Slit)
SA9ZS06, -S07, -S08

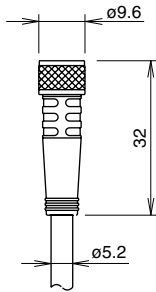


Material: Stainless Steel

Slit	
Part No.	Slit Width: A
SA9Z-S06	0.5 mm
SA9Z-S07	1.0 mm
SA9Z-S08	2.0 mm

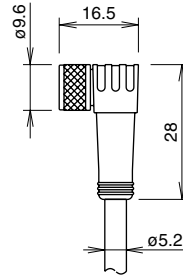
Connector Cable (connector on one end)
Straight (SA9Z-CM8K-4S□)

- ④ Black
- ③ Blue
- ② White
- ① Brown



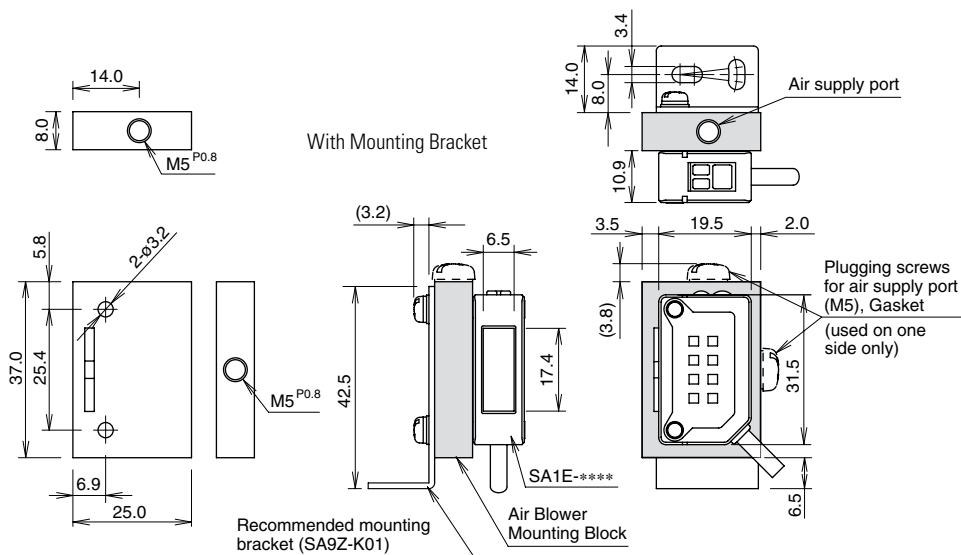
Right-angle (SA9Z-CM8K-4L□)

- ④ Black
- ③ Blue
- ② White
- ① Brown



Dielectric strength when installed on the SA1E: 1000V AC (between live part and mounting bracket, except between live part and tightening ring)

Air Blower Mounting Block

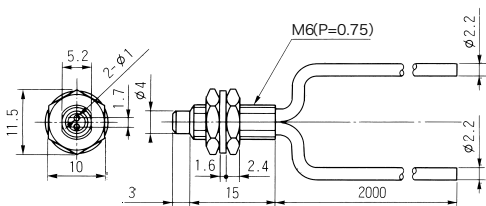


- The SA9Z-A02 air blower mounting block is supplied with two mounting screws (M3 × 20 mm sems screws), one screw for plugging the air supply port (M5 × 6 mm), and one gasket for plugging the air supply port.
- An air tube fitting (M5) can be installed to either the top or side. Tighten the fitting to a torque of 0.5 N·m maximum.
- The air tube fitting and mounting bracket are not supplied and must be ordered separately (recommended mounting bracket: SA9Z-K01).

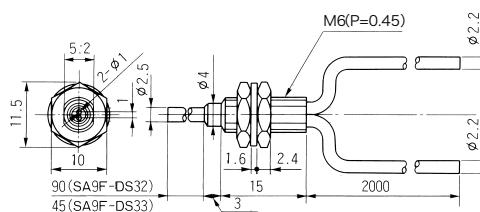
(Material: Anodized aluminum surface)

Diffuse-Reflective Light Fiber Optic Units

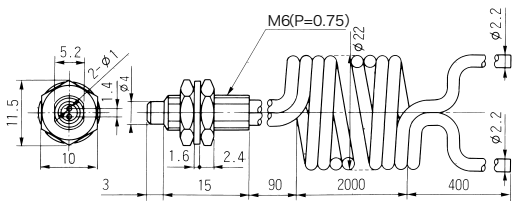
SA9F-DS31



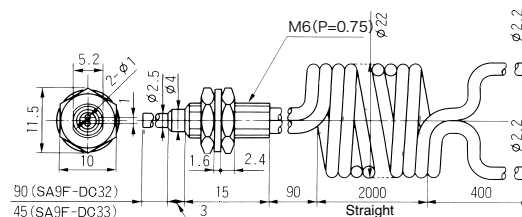
SA9F-DS32, SA9F-DS33



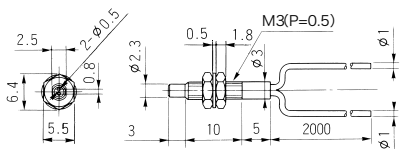
SA9F-DC31



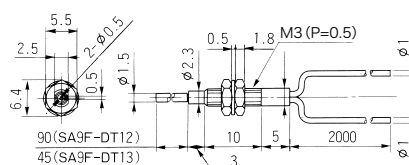
SA9F-DC32, SA9F-DC33



SA9F-DT11



SA9F-DT12, SA9F-DT13



01 Touchscreens

PLCs

Automation Software

Power Supplies

Sensors

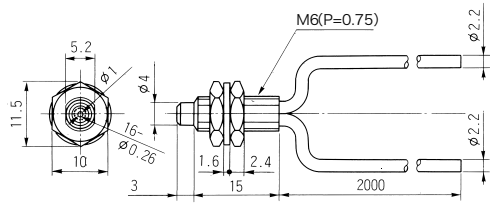
Communication

Barriers

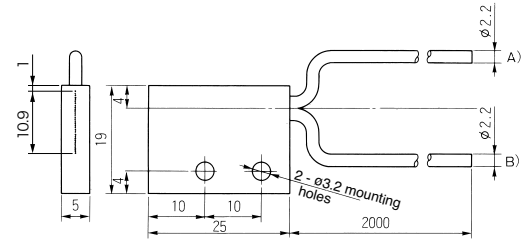
01 Touchscreens

Diffuse-Reflective Light Fiber Optic Units con't

SA9F-DD31

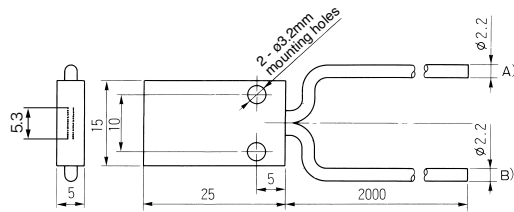


SA9F-DM74



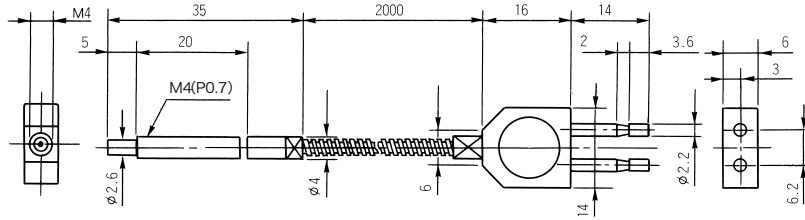
PLCs

SA9F-DM75



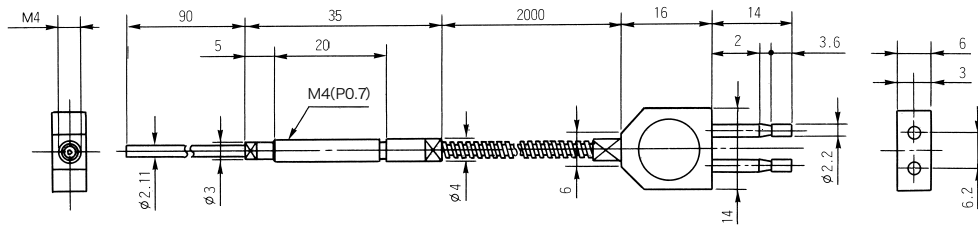
Automation Software

SA9F-DH21



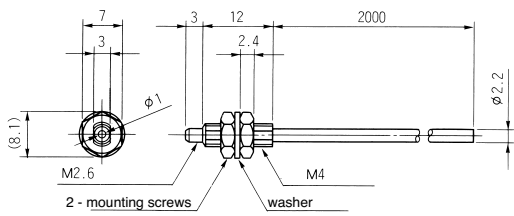
Power Supplies

SA9F-DH22

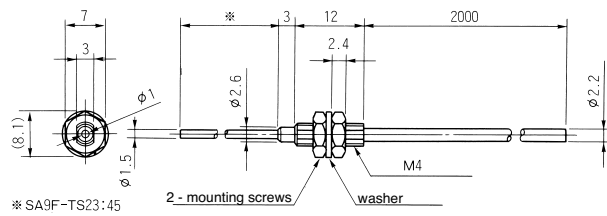


Sensors

SA9F-TS21



SA9F-TS23



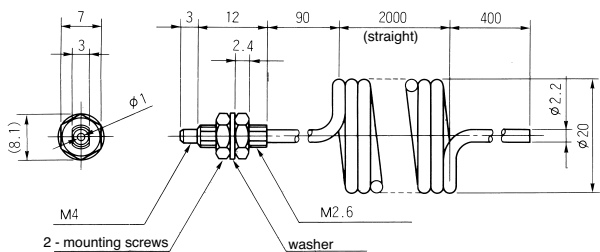
Communication

Barriers

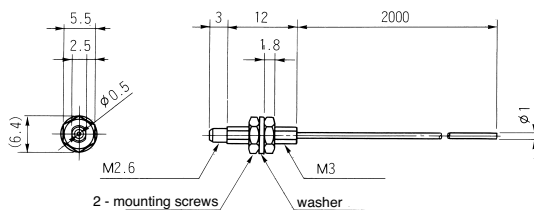
Diffuse-Reflective Light Fiber Optic Units con't

Dimensions (mm)

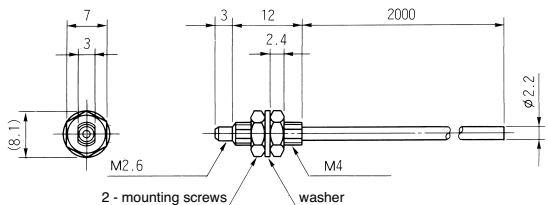
SA9F-TG21



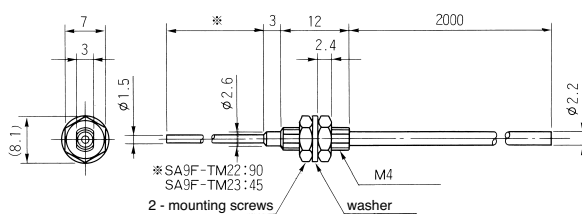
SA9F-TT11



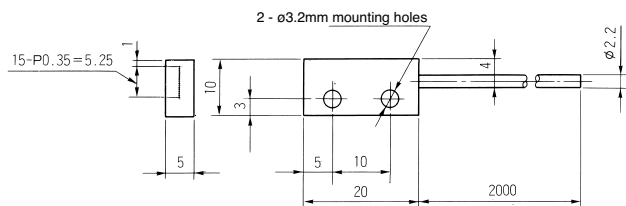
SA9F-TM21



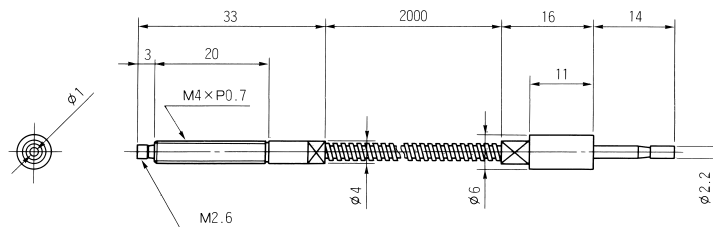
SA9F-TM22, SA9F-TM23



SA9F-TM74



SA9F-TH21



IO Touchscreens

PLCs

Automation Software

Power Supplies

Sensors

Communication

Barriers

X-ON Electronics

Largest Supplier of Electrical and Electronic Components

Click to view similar products for [Idec manufacturer](#):

Other Similar products are found below :

[LT7A-XE-G](#) [LT7A-XE-R](#) [LT7B-A250](#) [LT7B-A250FB](#) [LW6L-M1C24MG](#) [FB1T-000Z](#) [FB1W-HW1B-V411R-EMO-2](#) [FB1W-XW1E-BV411MR](#) [FB1W-XW1E-BV413MR](#) [FB3W-413Z](#) [FC2A-KP1C](#) [FC4A-J8AT1](#) [FC4A-T16S3](#) [FC5A-C16R2C](#) [MM-SMART-24](#) [MM-SMART-40](#) [FT1A-C12RA-S](#) [FT1A-C12RA-W](#) [FT1A-C14SA-B](#) [PF3S-BP12](#) [PS3X-D24AFG](#) [PS3X-Q12AFG](#) [GT3A-3AD24](#) [GT3F-2EAD24](#) [GT3S-2AF20](#) [GT3W-A16AD24](#) [GT3W-A33AF20N](#) [ABD302N-R](#) [ABD410N-R](#) [ABFD411N-G](#) [ABN4F11-G](#) [HE2B-M211PB](#) [HE2G-21SH](#) [HE9Z-D3B](#) [HG9Z-2A1](#) [HG9Z-XC300](#) [ACSNO-6123-FB-C6002](#) [RH3V2-UAC240V](#) [DFAN-031-B](#) [AL6M-LK1-G](#) [AL6M-P3-R](#) [AL6Q-M13-W](#) [AL6Q-M23P-QG](#) [ALFD29901DN-G-24V](#) [ALFN22211DNG-U](#) [ALFW224611D-W](#) [ALNE8811-G](#) [ALQW2B24611D-G](#) [ALW212611-G](#) [ALW22211DG](#)