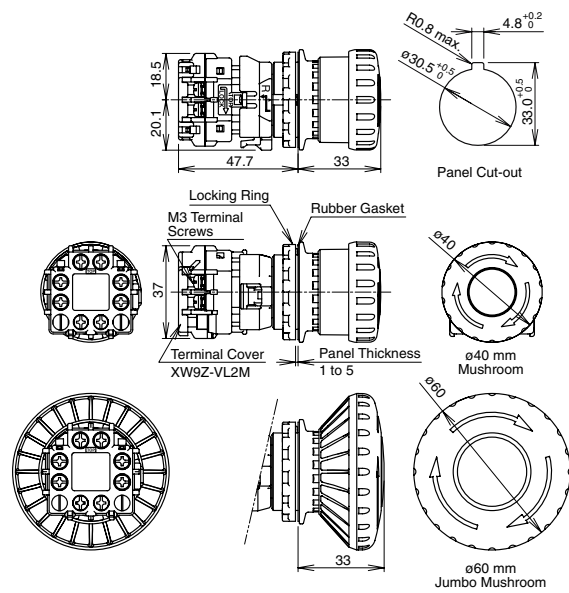
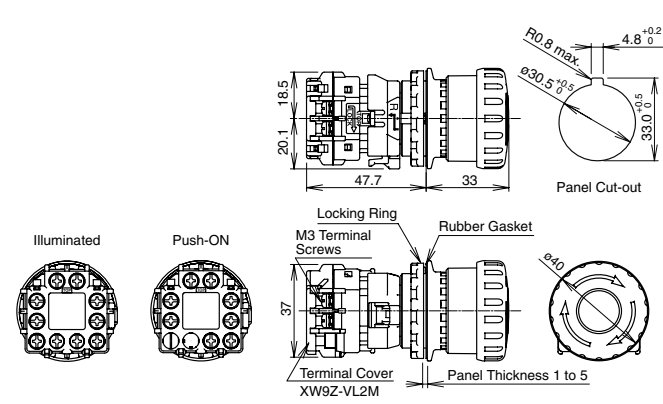


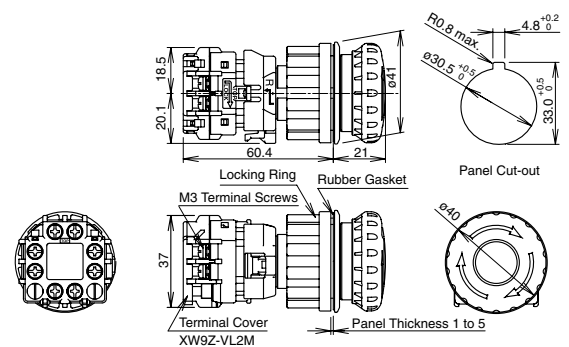
30mm XN1E Non-Illuminated (with terminal cover)



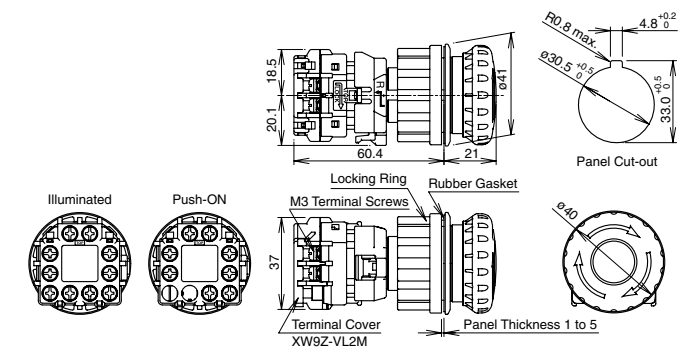
30mm XN1E Illuminated/Push-ON (with terminal cover)



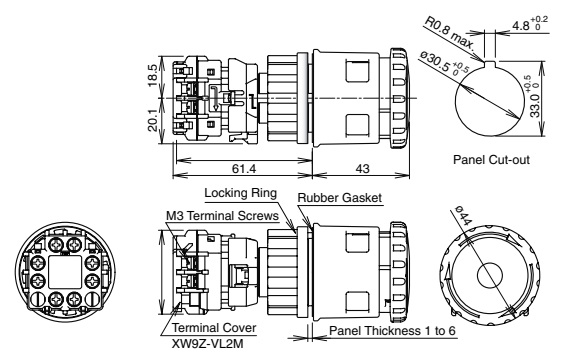
30mm XN5E Non-Illuminated (with terminal cover)



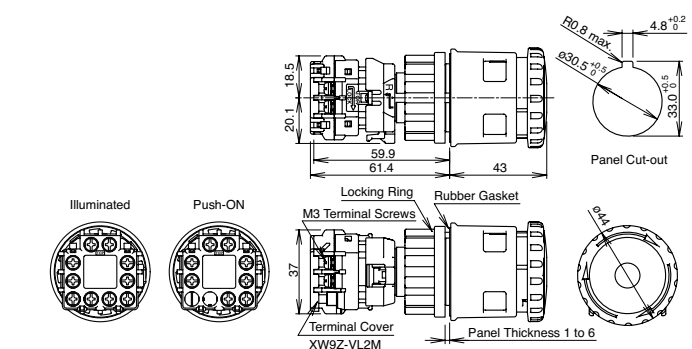
30mm XN5E Illuminated/Push-ON (with terminal cover)



30mm XN4E Non-Illuminated (with terminal cover)



30mm XN4E Illuminated/Push-ON (with terminal cover)



Accessories

Model	Description	Part Number
XA	Replacement LED Unit: Solder Terminal	XA9Z-LED2R
	Replacement LED Unit: PCB Terminal	XA9Z-LED2VR
	Terminal Cover for contact block	XA9Z-VL2
XW and XN	Terminal Cover for contact block	XW9Z-VL2M
	IP20 Fingersafe Cover	XW9Z-VL2MF
	Locking Ring Wrench	XN9Z-T1
XN	Locking Ring Twist Wrench	TWST-T1
	Lockout Hasp	XN9Z-HASP421

For more information on the these and other IDEC E-Stops, visit:

www.IDEC.com/usa/estop

IDEC Corporation • 1175 Elko Drive
Sunnyvale, CA 94089 • 800-262-IDEC (4332)
Fax: 408-745-5258 • www.IDEC.com/usa

©2010 IDEC Corporation. All Rights Reserved.
Catalog No. XS9Y-DS100-1 01/10 10K

16, 22 & 30mm X Series E-Stop Switches

Features

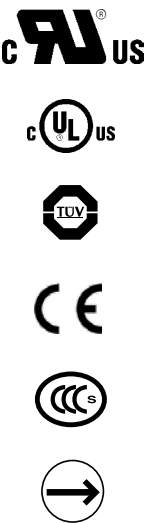
- Plastic bezel, metallic padlock and flush bezel available (XN series)
- Install up to 20 padlocks (XN4E)
- ø29, ø40, ø44 or ø60mm Mushroom heads available
- IDEC's original "safe break action" ensures that the contacts stay open when the contact block is detached from the operator.
- Safety-lock mechanism (IEC60947-5-5, 6.2)
- 2-in-1: Push-to-lock, Pull/Turn-to-Reset
- Push-ON LED model allows E-Stops to be illuminated only when latched
- Direct Opening Action mechanism (IEC60947-5-5, 5.2, IEC60947-5-1, Annex K)
- Very short panel depth (see chart on next page)
- Degree of protection IP65 (IEC60529)
- RoHS compliant (EU directive 2002/95/EC). Contains no lead, cadmium, mercury, hexavalent chromium, PBB or PBDE.
- XN4E series complies with OSHA and ISO 12100-2:2003 standards

**NEW
30mm**



Specifications

	ø16mm - XA	ø22mm - XW	ø30mm - XN
Applicable Standards	IEC60947-5-1, EN60947-5-1, IEC60947-5-5, EN60947-5-5		
	UL508, CSA C22.2 No. 14	UL508, UL991, CSA C22.2 No. 14	
Operating Temperature	Non-illuminated: -25 to +60°C (no freezing), Illuminated: -25 to +55°C (no freezing)		
Operating Humidity	45 to 85% RH (no condensation)		
Storage Temperature	-45 to +80°C		
Operating Force	Push-to-lock: 10.5N Pull-to-reset: 10N Turn-to-reset: 0.16N-m	Push-to-lock: 32N Pull-to-reset: 21N Turn-to-reset: 0.27 N-m	XN1E, XN5E Push-to-lock: 32N Pull-to-reset: 21N Turn-to-reset: 0.27 N-m XN4E Push-to-lock: 32N Pull-to-reset: N/A Turn-to-reset: 0.4 N-m
Minimum Force Required for Direct Opening Action	60N	80N	
Min Operator Stroke Required for Direct Opening Action	4mm		
Maximum Operator Stroke	4.5mm		
Contact Resistance	50mΩ maximum (initial value)		
Contact Material	Gold plated silver		
Insulation Resistance	100MΩ minimum (500V DC megger)		
Impulse Withstand Voltage	2.5kV		
Pollution Degree	3 (inside LED unit: 2)	3	
Operation Frequency	900 operations/hour		
Shock Resistance	Operating extremes: 150m/s ² (15G), Damage limits: 1000m/s ² (100G)		
Vibration Resistance	Operating extremes: 10 to 500Hz, amplitude 0.35mm acceleration 50m/s ² Damage limits: 10 to 500Hz, amplitude 0.35mm acceleration 50m/s ²		
Mechanical Life	250,000 operations minimum		
Electrical Life	100,000 operations minimum, 250,000 operations minimum (24V AC/DC, 100mA)		
Degree of Protection	IP65 (IEC60529)	Operator: IP65 (IEC60529) Terminal: IP20 (when XW9Z-VL2MF is installed)	
Conditional Short-circuit Current	1000A		
Terminal Style	Solder terminal, PC board terminal	M3.0 screw terminal	
Recommended Tightening Torque for Locking Ring	0.88N-m	2.0 N-m	2.5 N-m
Connectable Wire	1.25mm ² maximum (16 AWG max)		0.75 to 1.25mm ² (16 AWG max)
Soldering Conditions	310 to 350°C, 3 seconds maximum		
Weight	ø29mm: 23g ø40mm: 28g	ø40mm: 72g ø60mm: 81g	Plastic bezel: 83g (ø40 mm), 93g (ø60 mm) Flush bezel: 89g Padlock type: 20g



Contact Ratings

Rated Insulation Voltage (Ui)		XA	300V (illuminated part: 60V)		
		XW, XN	250V		
Rated Current (Ith)		XA, XW, XN	5A		
Rated Operating Voltage (Ue)			30V	125V	250V
Rated Operating Current	Main Contacts (NC)	AC 50/60 Hz	Resistive Load (AC-12)		
			XA	-	3A
		DC	Inductive Load (AC-15)		
			XA	-	1.5A
	Monitor Contacts (NO)	AC 50/60 Hz	Resistive Load (DC-12)		
			XA, XW, XN	2A	0.4A
DC		Inductive Load (DC-13)			
		XA, XW, XN	-	1.2A	0.6A
			2A	0.4A	0.2A
			1A	0.22A	0.1A

- Minimum applicable load: 5V AC/DC, 1mA (reference value).
- The rated operating currents are measured at resistive/inductive load types specified in IEC 60947-5-1.

Part Numbers

XA1E - L V 3 11 Q4 V - R

Illumination
B: Non-Illuminated
L: Illuminated

Mushroom Size
3: ø29mm
4: ø40mm

Contact Configuration*
11: 1NO - 1NC
02: 2NC
13: 1NO - 3NC
04: 4NC

Terminal
blank: solder tab
V: PCB

Voltage Code
blank: Non-illuminated
Q4: Illuminated 24V AC/DC

XW1E - L V 4 11 Q4M - R

Illumination
B: Non-Illuminated
L: Illuminated LED
T: Illuminated Push-ON LED

Mushroom Size
4: ø40mm
5: ø60mm (non-illuminated only)

Contact Configuration*
11: 1NO - 1NC
02: 2NC
13: 1NO - 3NC
04: 4NC
22: 2NO - 2NC
12: 1NO - 2NC (Push-ON LED only)

Voltage Code
blank: Non-Illuminated
Q4: Illuminated 24V AC/DC

XN1E - L V 4 02 Q4 MR

Bezel
1: Plastic Bezel
4: Padlock
5: Flush Bezel

Illumination
XN1E, XN5E
BV: Non-Illuminated
LV: Illuminated LED
TV: Illuminated Push-ON LED
XN4E
BL: Non-Illuminated
LL: Illuminated LED
TL: Illuminated Push-ON LED

Mushroom Size
4: ø40mm: XN1E, XN5E
ø44mm: XN4E
5: ø60mm (XN1E non-illuminated only)

Contact Configuration*
11: 1NO - 1NC
02: 2NC
13: 1NO - 3NC
22: 2NO - 2NC
04: 4NC
12: 1NO - 2NC (Push-ON LED only)

Voltage Code
blank: Non-Illuminated
Q4: 24V AC/DC (Illuminated & Push-ON LED type)

*Contact IDEC for additional contact configurations.

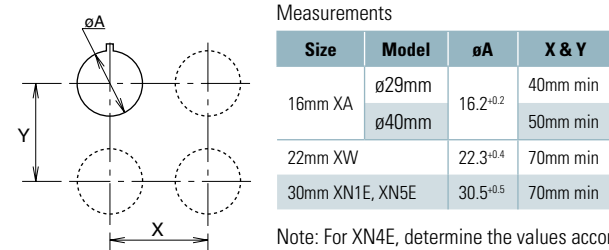
Illuminated Unit LED Ratings

Model	Rated Voltage	Operating Voltage	Rated Current
16mm XA			11mA
22mm XW 30mm XN	24V AC/DC	24V AC/DC ±10%	15mA

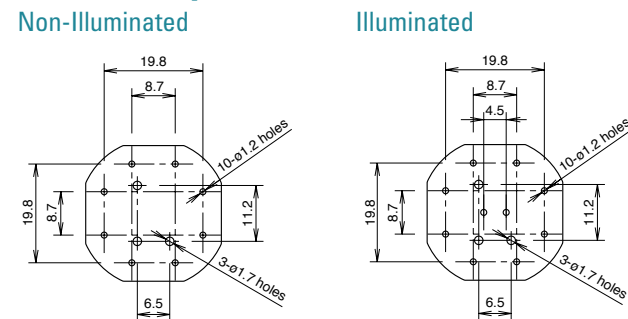
Depth Behind the Panel

Model	Depth (mm)	Description
16mm XA	27.9	1 - 4 contacts, both illuminated & non-illuminated
22mm XW	48.7	1 - 4 contacts, both illuminated & non-illuminated
	47.7	1 - 4 contacts, plastic bezel
30mm XN	60.4	1 - 4 contacts, flush bezel
	61.4	1 - 4 contacts, padlock

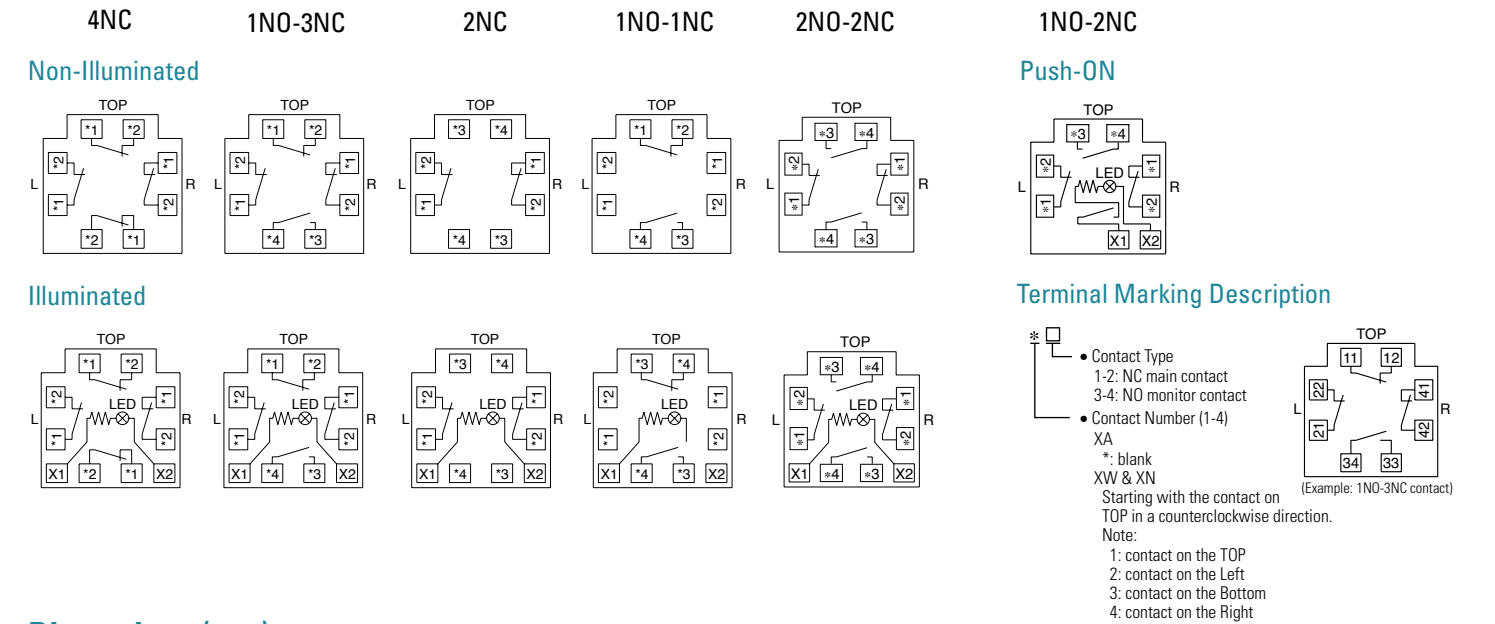
Mounting Hole Layout



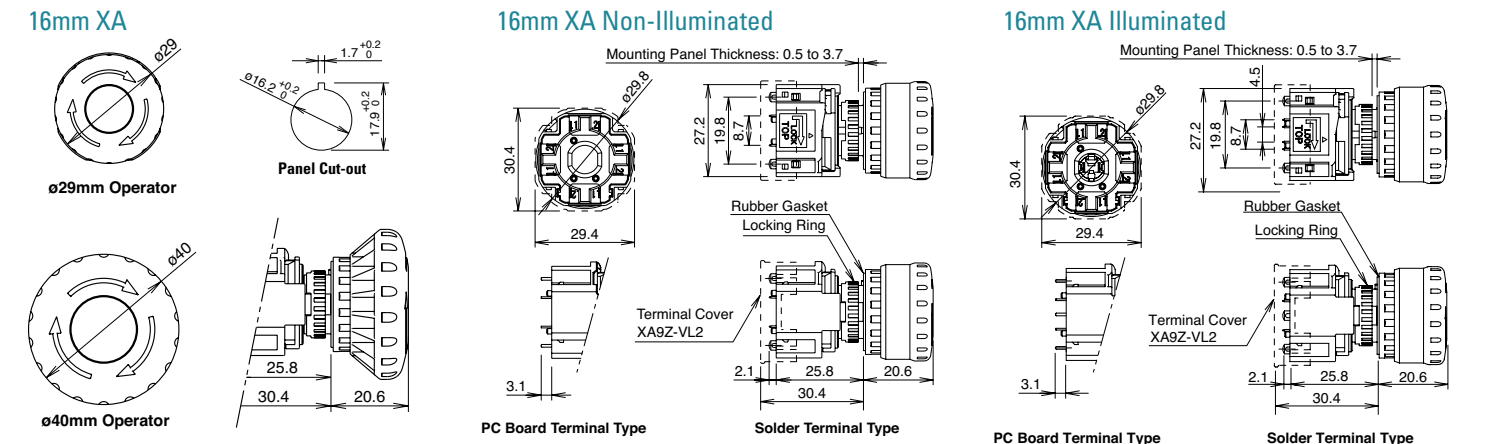
PC Board Layout - Bottom View (for 16mm XA only)



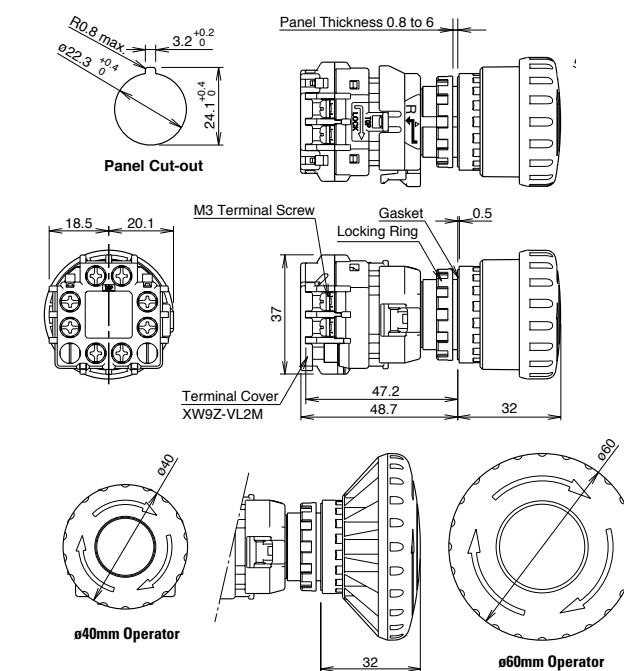
Terminal Arrangements (Bottom View)



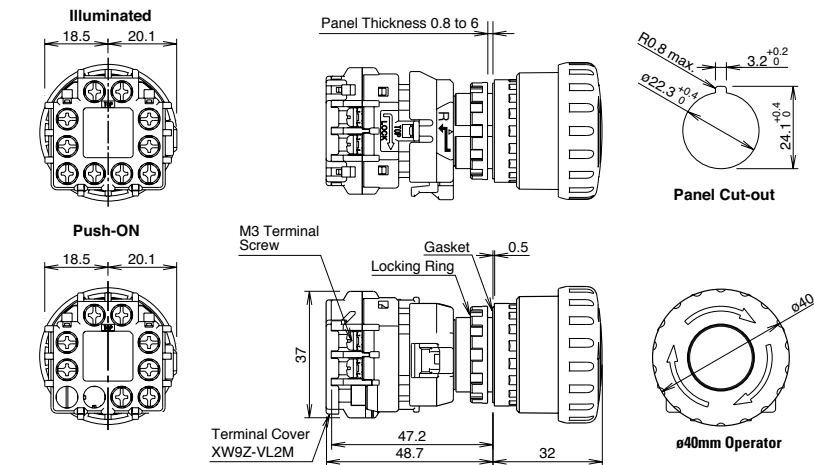
Dimensions (mm)



22mm XW Non-Illuminated (with terminal cover)



22mm XW LED Illuminated/ Push-ON (with terminal cover)



Contact Ratings

Rated Insulation Voltage (Ui)		XA	300V (illuminated part: 60V)		
		XW, XN	250V		
Rated Current (Ith)		XA, XW, XN	5A		
Rated Operating Voltage (Ue)			30V	125V	250V
Rated Operating Current	Main Contacts (NC)	AC 50/60 Hz	Resistive Load (AC-12)		
			XA	-	3A
		DC	Resistive Load (DC-12)		
			XA	-	1.5A
	AC 50/60 Hz	Inductive Load (AC-15)			
		XW, XN	-	5A	3A
DC	Inductive Load (DC-13)				
			2A	0.4A	0.2A
Monitor Contacts (NO)	AC 50/60 Hz	Resistive Load (AC-12)			
		XA, XW, XN	-	1.2A	0.6A
	DC	Resistive Load (DC-12)			
				2A	0.4A
		Inductive Load (DC-13)			
			1A	0.22A	0.1A

- Minimum applicable load: 5V AC/DC, 1mA (reference value).
- The rated operating currents are measured at resistive/inductive load types specified in IEC 60947-5-1.

Part Numbers

XA1E - L V 3 11 Q4 V - R

- Illumination**
B: Non-Illuminated
L: Illuminated
- Mushroom Size**
3: ø29mm
4: ø40mm
- Contact Configuration***
11: 1NO - 1NC
02: 2NC
13: 1NO - 3NC
04: 4NC
- Terminal**
blank: solder tab
V: PCB
- Voltage Code**
blank: Non-illuminated
Q4: Illuminated 24V AC/DC

XW1E - L V 4 11 Q4M - R

- Illumination**
B: Non-Illuminated
L: Illuminated LED
T: Illuminated Push-ON LED
- Mushroom Size**
4: ø40mm
5: ø60mm (non-illuminated only)
- Contact Configuration***
11: 1NO - 1NC
02: 2NC
13: 1NO - 3NC
04: 4NC
22: 2NO - 2NC
12: 1NO - 2NC (Push-ON LED only)
- Voltage Code**
blank: Non-Illuminated
Q4: Illuminated 24V AC/DC

XN1E - L V 4 02 Q4 MR

- Bezel**
1: Plastic Bezel
4: Padlock
5: Flush Bezel
- Illumination**
XN1E, XN5E
BV: Non-Illuminated
LV: Illuminated LED
TV: Illuminated Push-ON LED
XN4E
BL: Non-Illuminated
LL: Illuminated LED
TL: Illuminated Push-ON LED
- Mushroom Size**
4: ø40mm: XN1E, XN5E
ø44mm: XN4E
5: ø60mm (XN1E non-illuminated only)
- Contact Configuration***
11: 1NO - 1NC
02: 2NC
13: 1NO - 3NC
22: 2NO - 2NC
04: 4NC
12: 1NO - 2NC (Push-ON LED only)
- Voltage Code**
blank: Non-Illuminated
Q4: 24V AC/DC (Illuminated & Push-ON LED type)

*Contact IDEC for additional contact configurations.

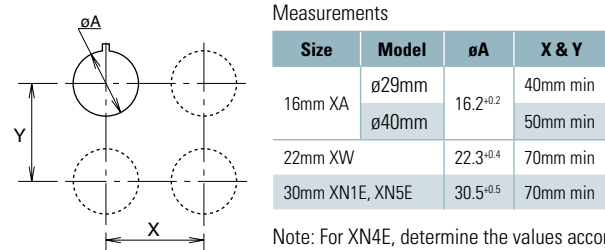
Illuminated Unit LED Ratings

Model	Rated Voltage	Operating Voltage	Rated Current
16mm XA			11mA
22mm XW 30mm XN	24V AC/DC	24V AC/DC ±10%	15mA

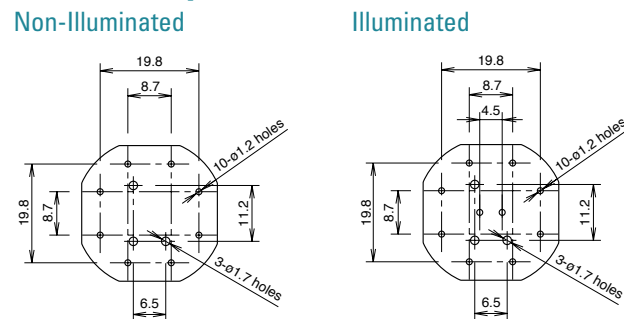
Depth Behind the Panel

Model	Depth (mm)	Description
16mm XA	27.9	1 - 4 contacts, both illuminated & non-illuminated
22mm XW	48.7	1 - 4 contacts, both illuminated & non-illuminated
	47.7	1 - 4 contacts, plastic bezel
30mm XN	60.4	1 - 4 contacts, flush bezel
	61.4	1 - 4 contacts, padlock

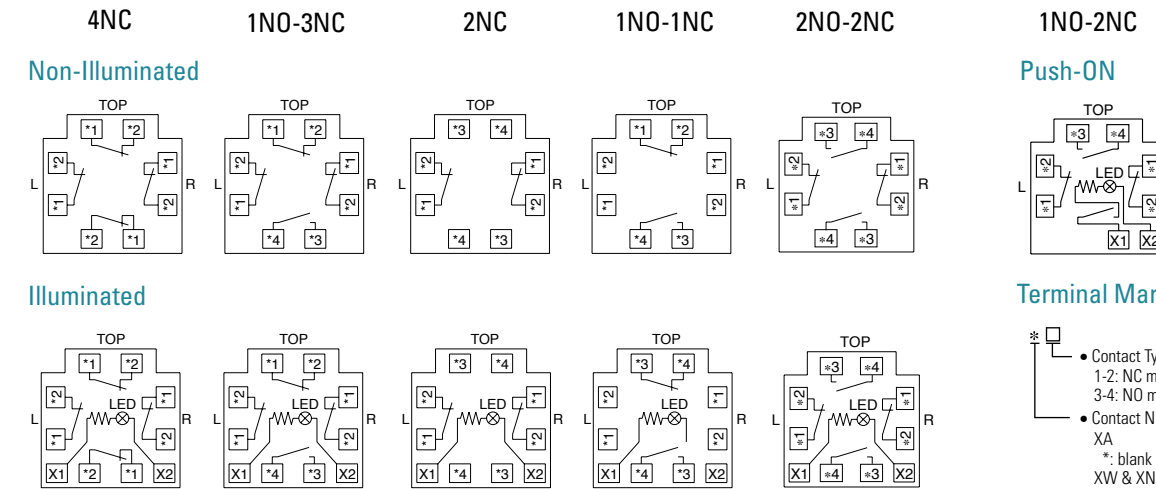
Mounting Hole Layout



PC Board Layout - Bottom View (for 16mm XA only)



Terminal Arrangements (Bottom View)

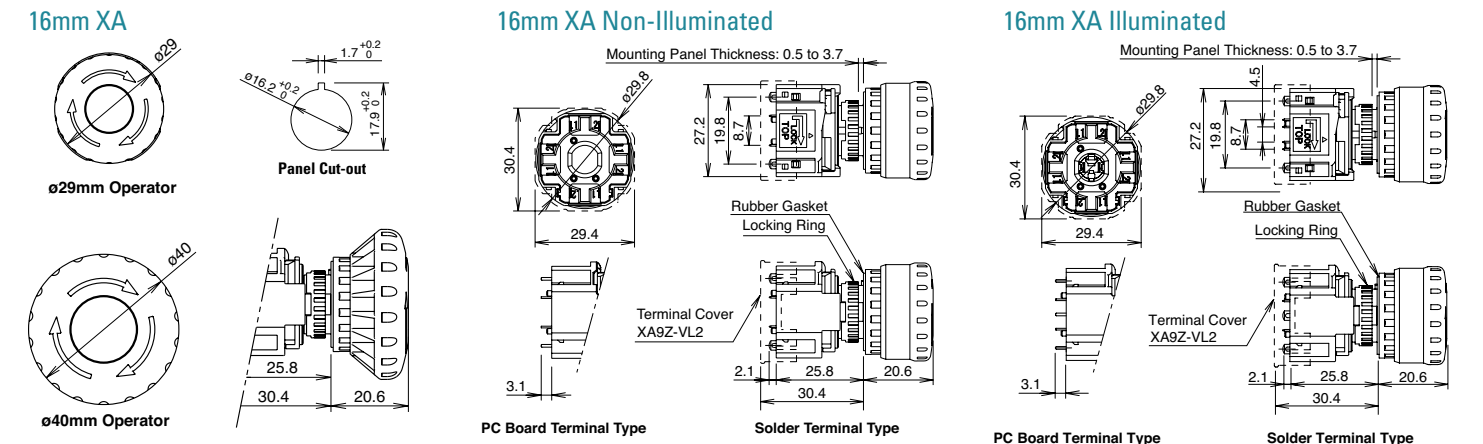


Push-ON

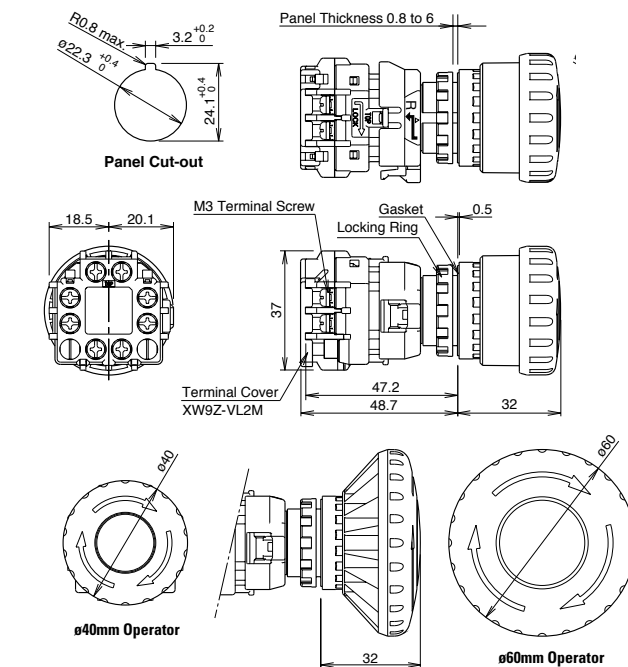
Terminal Marking Description

- Contact Type
1-2: NC main contact
3-4: NO monitor contact
 - Contact Number (1-4)
XA
*: blank
XW & XN
- Starting with the contact on TOP in a counterclockwise direction.
- Note:
1: contact on the TOP
2: contact on the Left
3: contact on the Bottom
4: contact on the Right

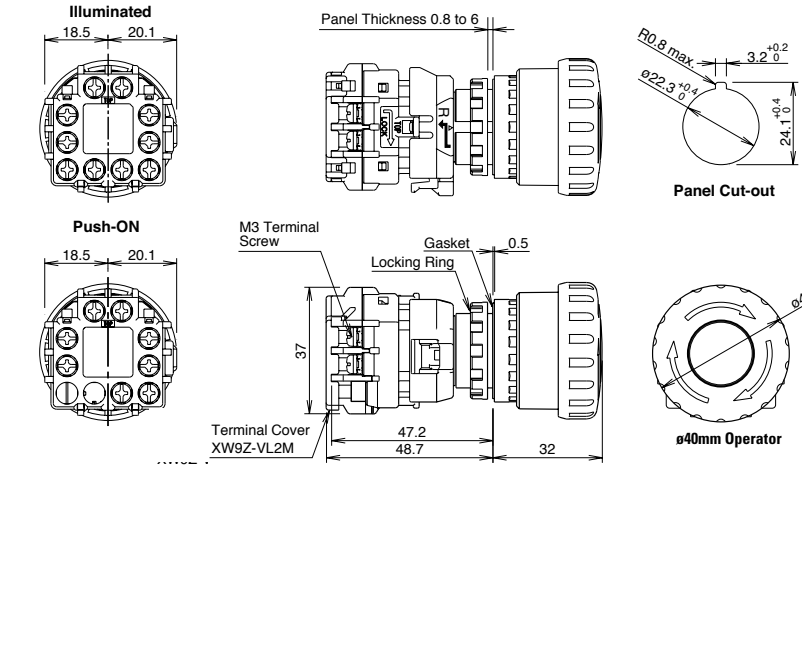
Dimensions (mm)



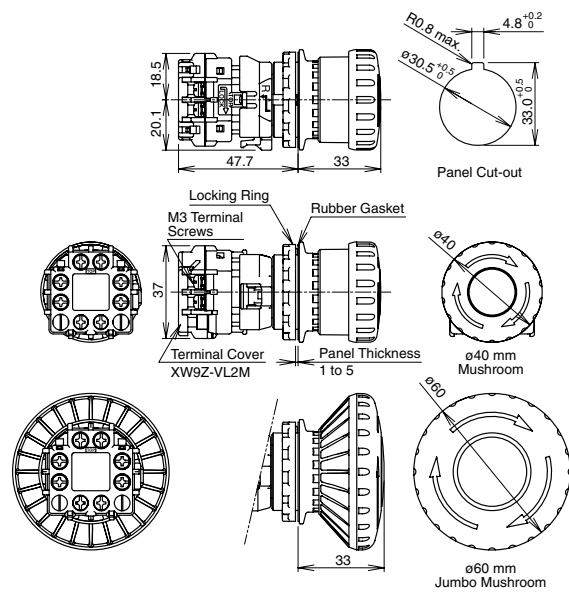
22mm XW Non-Illuminated (with terminal cover)



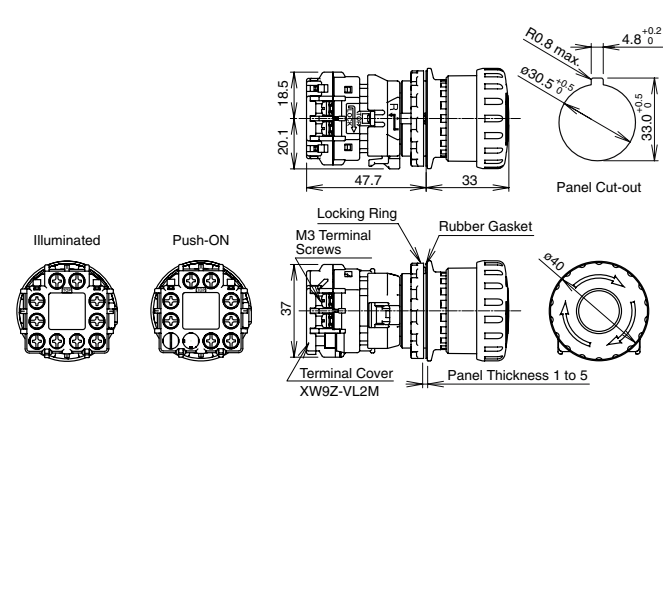
22mm XW LED Illuminated/ Push-ON (with terminal cover)



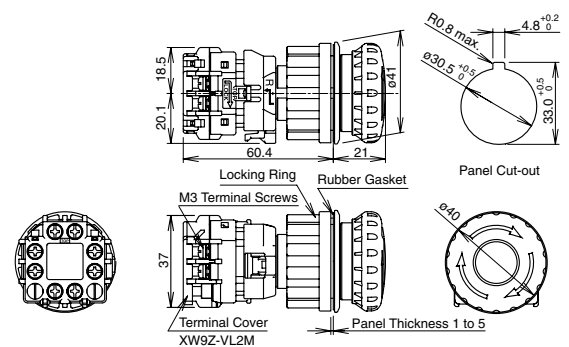
30mm XN1E Non-Illuminated (with terminal cover)



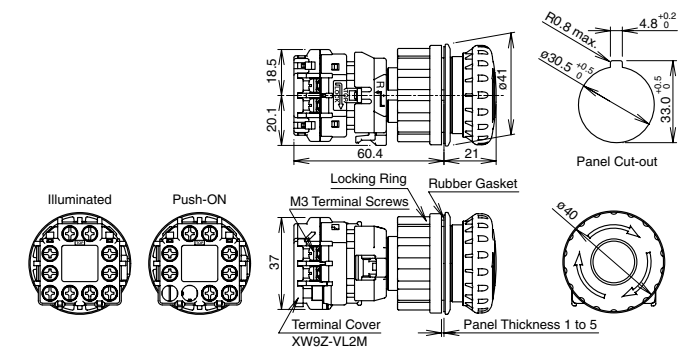
30mm XN1E Illuminated/Push-ON (with terminal cover)



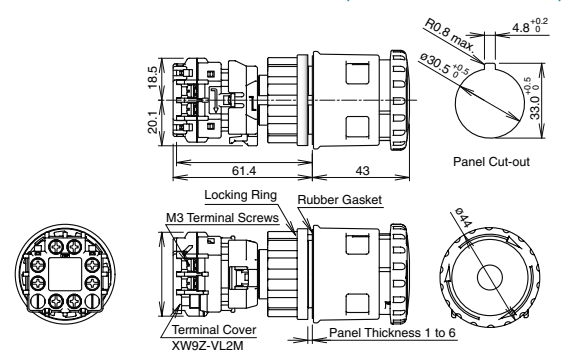
30mm XN5E Non-Illuminated (with terminal cover)



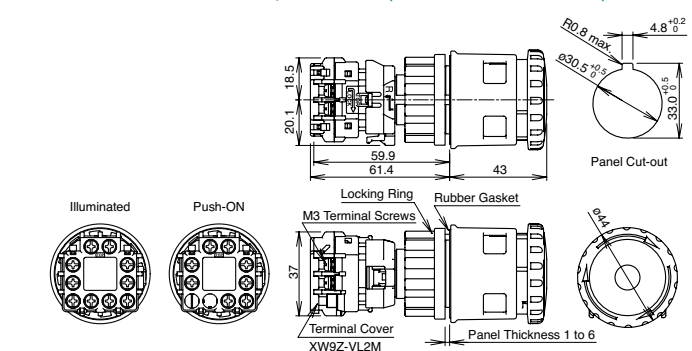
30mm XN5E Illuminated/Push-ON (with terminal cover)



30mm XN4E Non-Illuminated (with terminal cover)



30mm XN4E Illuminated/Push-ON (with terminal cover)



Accessories

Model	Description	Part Number
XA	Replacement LED Unit: Solder Terminal	XA9Z-LED2R
	Replacement LED Unit: PCB Terminal	XA9Z-LED2VR
	Terminal Cover for contact block	XA9Z-VL2
XW and XN	Terminal Cover for contact block	XW9Z-VL2M
	IP20 Fingersafe Cover	XW9Z-VL2MF
	Locking Ring Wrench	XN9Z-T1
XN	Locking Ring Twist Wrench	TWST-T1
	Lockout Hasp	XN9Z-HASP421

For more information on the these and other IDEC E-Stops, visit:

www.IDEC.com/usa/estop

IDEC Corporation • 1175 Elko Drive
Sunnyvale, CA 94089 • 800-262-IDEC (4332)
Fax: 408-745-5258 • www.IDEC.com/usa

©2010 IDEC Corporation. All Rights Reserved.
Catalog No. XS9Y-DS100-1 01/10 10K

16, 22 & 30mm X Series E-Stop Switches

Features

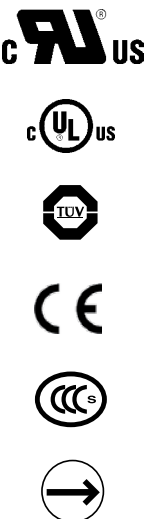
- Plastic bezel, metallic padlock and flush bezel available (XN series)
- Install up to 20 padlocks (XN4E)
- ø29, ø40, ø44 or ø60mm Mushroom heads available
- IDEC's original "safe break action" ensures that the contacts stay open when the contact block is detached from the operator.
- Safety-lock mechanism (IEC60947-5-5, 6.2)
- 2-in-1: Push-to-lock, Pull/Turn-to-Reset
- Push-ON LED model allows E-Stops to be illuminated only when latched
- Direct Opening Action mechanism (IEC60947-5-5, 5.2, IEC60947-5-1, Annex K)
- Very short panel depth (see chart on next page)
- Degree of protection IP65 (IEC60529)
- RoHS compliant (EU directive 2002/95/EC). Contains no lead, cadmium, mercury, hexavalent chromium, PBB or PBDE.
- XN4E series complies with OSHA and ISO 12100-2:2003 standards

**NEW
30mm**



Specifications

	ø16mm - XA	ø22mm - XW	ø30mm - XN
Applicable Standards	IEC60947-5-1, EN60947-5-1, IEC60947-5-5, EN60947-5-5		
	UL508, CSA C22.2 No. 14	UL508, UL991, CSA C22.2 No. 14	
Operating Temperature	Non-illuminated: -25 to +60°C (no freezing), Illuminated: -25 to +55°C (no freezing)		
Operating Humidity	45 to 85% RH (no condensation)		
Storage Temperature	-45 to +80°C		
Operating Force	Push-to-lock: 10.5N Pull-to-reset: 10N Turn-to-reset: 0.16N-m	Push-to-lock: 32N Pull-to-reset: 21N Turn-to-reset: 0.27 N-m	XN1E, XN5E Push-to-lock: 32N Pull-to-reset: 21N Turn-to-reset: 0.27 N-m XN4E Push-to-lock: 32N Pull-to-reset: N/A Turn-to-reset: 0.4 N-m
Minimum Force Required for Direct Opening Action	60N	80N	
Min Operator Stroke Required for Direct Opening Action	4mm		
Maximum Operator Stroke	4.5mm		
Contact Resistance	50mΩ maximum (initial value)		
Contact Material	Gold plated silver		
Insulation Resistance	100MΩ minimum (500V DC megger)		
Impulse Withstand Voltage	2.5kV		
Pollution Degree	3 (inside LED unit: 2)	3	
Operation Frequency	900 operations/hour		
Shock Resistance	Operating extremes: 150m/s ² (15G), Damage limits: 1000m/s ² (100G)		
Vibration Resistance	Operating extremes: 10 to 500Hz, amplitude 0.35mm acceleration 50m/s ² Damage limits: 10 to 500Hz, amplitude 0.35mm acceleration 50m/s ²		
Mechanical Life	250,000 operations minimum		
Electrical Life	100,000 operations minimum, 250,000 operations minimum (24V AC/DC, 100mA)		
Degree of Protection	IP65 (IEC60529)	Operator: IP65 (IEC60529) Terminal: IP20 (when XW9Z-VL2MF is installed)	
Conditional Short-circuit Current	1000A		
Terminal Style	Solder terminal, PC board terminal	M3.0 screw terminal	
Recommended Tightening Torque for Locking Ring	0.88N-m	2.0 N-m	2.5 N-m
Connectable Wire	1.25mm ² maximum (16 AWG max)		0.75 to 1.25mm ² (16 AWG max)
Soldering Conditions	310 to 350°C, 3 seconds maximum		
Weight	ø29mm: 23g ø40mm: 28g	ø40mm: 72g ø60mm: 81g	Plastic bezel: 83g (ø40 mm), 93g (ø60 mm) Flush bezel: 89g Padlock type: 20g



X-ON Electronics

Largest Supplier of Electrical and Electronic Components

Click to view similar products for [Switch Fixings](#) category:

Click to view products by [Idec](#) manufacturer:

Other Similar products are found below :

[893102000](#) [00-5150](#) [LZZ1A](#) [0098.9234](#) [61-9451.0](#) [M2PA-5011](#) [630155](#) [635401](#) [6PA113](#) [6PA147-E6](#) [6PA148-E6](#) [6PA32](#) [6PA9](#) [700109](#)
[700303A56](#) [700C1GRY](#) [700C2GRN](#) [704-6001](#) [704.960.9](#) [704.965.2](#) [704.965.6](#) [704.966.0](#) [7089-3](#) [710082-B11](#) [71M1048](#) [757200264](#)
[764300000](#) [MHU35](#) [MHU37](#) [807039-1](#) [825.003.011](#) [825.005.011](#) [825.053.011](#) [825.055.011](#) [826.000.071](#) [827.020.011](#) [827.400.021](#)
[835.900.023](#) [MML52C10C](#) [MML52E10C](#) [MML92HGH](#) [MML93K](#) [84211M02CNNS](#) [84212M02CNNS](#) [84217A8.0LNOS](#) [842.500.011](#)
[843.000.011](#) [843187-000](#) [843487-000](#) [84-901](#)