



Low Skew, 1-to-6, LVCMOS/LVTTL Clock Multiplier/Zero Delay Buffer

ICS87931I

GENERAL DESCRIPTION

The ICS87931I is a low voltage, low skew LVCMOS/LVTTL Clock Multiplier/Zero Delay Buffer. With output frequencies up to 150MHz, the ICS87931I is targeted for high performance clock applications. Along with a fully integrated PLL, the ICS87931I contains frequency configurable outputs and an external feedback input for regenerating clocks with “zero delay”.

Selectable clock inputs, CLK1 and differential CLK0, nCLK0 support redundant clock applications. The CLK_SEL input determines which reference clock is used. The output divider values of Bank A, B and C are controlled by the DIV_SELA, DIV_SELB and DIV_SELC, respectively.

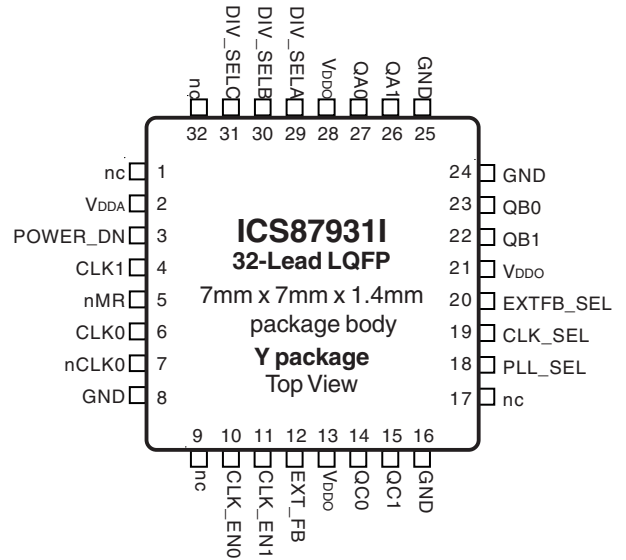
For test and system debug purposes, the PLL_SEL input allows the PLL to be bypassed. When LOW, the nMR input resets the internal dividers and forces the outputs to the high impedance state.

The effective fanout of the ICS87931I can be increased to 12 by utilizing the ability of each output to drive two series terminated transmission lines.

FEATURES

- Fully integrated PLL
- Six LVCMOS/LVTTL outputs, 7Ω typical output impedance
- Selectable differential CLK0, nCLK0 or LVCMOS/LVTTL clock for redundant clock applications
- Maximum output frequency: 150MHz
- VCO range: 220MHz to 480MHz
- External feedback for “zero delay” clock regeneration
- Output skew, Same Frequency: 300ps (maximum)
- Output skew, Different Frequency: 400ps (maximum)
- Cycle-to-cycle jitter: 100ps (maximum)
- 3.3V supply voltage
- -40°C to 85°C ambient operating temperature

PIN ASSIGNMENT



BLOCK DIAGRAM

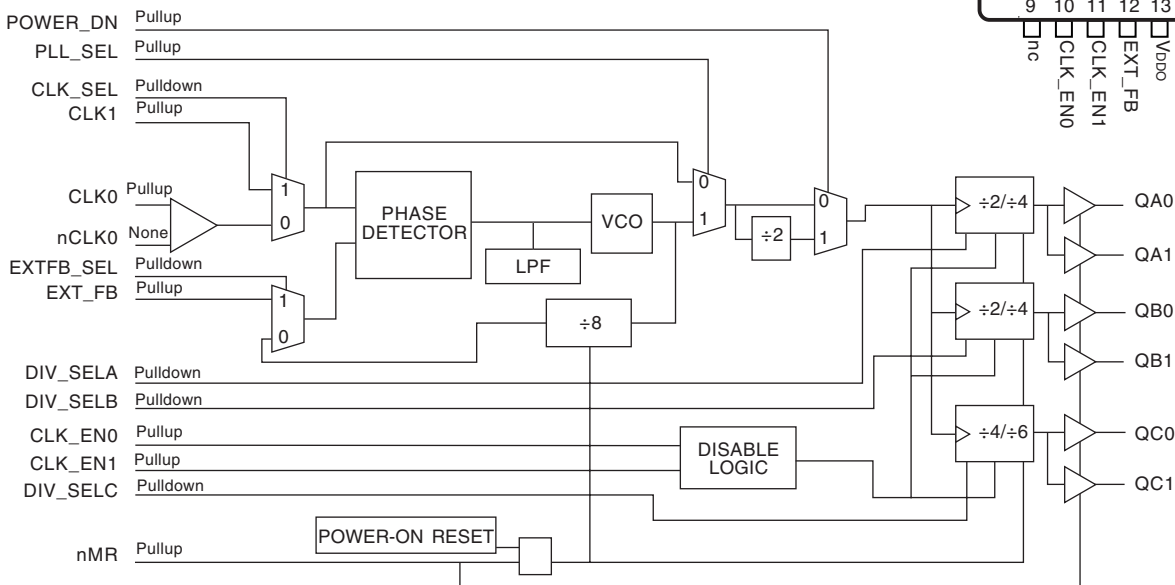


TABLE 1. PIN DESCRIPTIONS

Number	Name	Type		Description
1, 9, 17, 32	nc	Unused		No connect.
2	V _{DDA}	Power		Analog supply pin.
3	POWER_DN	Input	Pullup	Controls the frequency being fed to the output dividers. LVCMOS / LVTTL interface levels.
4	CLK1	Input	Pullup	Clock input. LVCMOS / LVTTL interface levels.
5	nMR	Input	Pullup	Active LOW Master reset. When logic LOW, the internal dividers are reset causing the outputs to go low. When logic HIGH, the internal dividers and the outputs are enabled. LVCMOS / LVTTL interface levels.
6	CLK0	Input	Pullup	Non-inverting differential clock input.
7	nCLK0	Input	Pullup/ Pulldown	Inverting differential clock input. V _{CC} /2 default when left floating.
8, 16, 24,25	GND	Power		Power supply ground.
10, 11	CLK_EN0, CLK_EN1	Input	Pullup	Controls the enabling and disabling of the clock outputs. See Table 3B. LVCMOS / LVTTL interface levels.
12	EXT_FB	Input	Pullup	External feedback. When LOW, selects internal feedback. When HIGH, selects EXT_FB. LVCMOS / LVTTL interface levels.
13, 21, 28	V _{DDO}	Power		Output supply pins.
14, 15	QC0, QC1	Output		Bank C clock outputs.7Ω typical output impedance. LVCMOS / LVTTL interface levels.
18	PLL_SEL	Input	Pullup	Selects between the PLL and reference clocks as the input to the output dividers. When HIGH, selects PLL. When LOW, bypasses the PLL. LVCMOS / LVTTL interface levels.
19	CLK_SEL	Input	Pulldown	Clock select input. Selects the Phase Detector Reference. When LOW, selects CLK0, nCLK0. When HIGH, selects CLK1. LVCMOS / LVTTL interface levels.
20	EXTFB_SEL	Input	Pulldown	External feedback select. LVCMOS / LVTTL interface levels.
22, 23	QB1, QB0	Output		Bank B clock outputs.7Ω typical output impedance. LVCMOS / LVTTL interface levels.
26, 27	QA1, QA0	Output		Bank A clock outputs.7Ω typical output impedance. LVCMOS / LVTTL interface levels.
29	DIV_SELA	Input	Pulldown	Determines output divider values for Bank A as described in Table 4A. LVCMOS / LVTTL interface levels.
30	DIV_SELB	Input	Pulldown	Determines output divider values for Bank B as described in Table 4A. LVCMOS / LVTTL interface levels.
31	DIV_SELC	Input	Pulldown	Determines output divider values for Bank C as described in Table 4A. LVCMOS / LVTTL interface levels.

NOTE: *Pullup* and *Pulldown* refer to internal input resistors. See table 2, Pin Characteristics, for typical values.

TABLE 2. PIN CHARACTERISTICS

Symbol	Parameter	Test Conditions	Minimum	Typical	Maximum	Units
C _{IN}	Input Capacitance			4		pF
R _{PULLUP}	Input Pullup Resistor			51		KΩ
R _{PULLDOWN}	Input Pulldown Resistor			51		KΩ
C _{PD}	Power Dissipation Capacitance (per output)	V _{DDA} , V _{DDO} = 3.465V		12		pF
R _{OUT}	Output Impedance			7		Ω

TABLE 3A. CONTROL INPUT FUNCTION TABLE

Inputs		Function	
Control Pin		Logic 0	Logic 1
CLK_SEL		CLK0, nCLK0	CLK1
PLL_SEL		Bypass PLL	PLL Enabled
EXTFB_SEL		Internal Feedback	EXT_FB
POWER_DN		VCO/1	VCO/2
nMR		Master Reset/Output Hi Z	Enable Outputs
DIV_SELA:DIV_SEL		QA($\div 2$); QB($\div 2$); QC($\div 4$)	QA($\div 4$); QB($\div 4$); QC($\div 6$)

TABLE 3B. CLK_ENx FUNCTION TABLE

Inputs				
CLK_EN1	CLK_EN0	DIV_SELA:DIVSEL		
		QAx	QBx	QCx
0	0	Toggle	LOW	LOW
0	1	LOW	LOW	Toggle
1	0	Toggle	LOW	Toggle
1	1	Toggle	Toggle	Toggle

TABLE 4A. VCO FREQUENCY FUNCTION TABLE

Inputs			Outputs					
DIV_SELA	DIV_SEL	DIV_SEL	QAx		QBx		QCx	
			POWER_DN = 0	POWER_DN = 1	POWER_DN = 0	POWER_DN = 1	POWER_DN = 0	POWER_DN = 1
0	0	0	VCO/2	VCO/4	VCO/2	VCO/4	VCO/4	VCO/8
0	0	1	VCO/2	VCO/4	VCO/2	VCO/4	VCO/6	VCO/12
0	1	0	VCO/2	VCO/4	VCO/4	VCO/8	VCO/4	VCO/8
0	1	1	VCO/2	VCO/4	VCO/4	VCO/8	VCO/6	VCO/12
1	0	0	VCO/4	VCO/8	VCO/2	VCO/4	VCO/4	VCO/8
1	0	1	VCO/4	VCO/8	VCO/2	VCO/4	VCO/6	VCO/12
1	1	0	VCO/4	VCO/8	VCO/4	VCO/8	VCO/4	VCO/8
1	1	1	VCO/4	VCO/8	VCO/4	VCO/8	VCO/6	VCO/12

TABLE 4B. INPUT REFERENCE FREQUENCY TO OUTPUT FREQUENCY FUNCTION TABLE (INTERNAL FEEDBACK ONLY, EXTFB_SEL = 0)

Inputs			Outputs					
DIV_SELA	DIV_SEL	DIV_SEL	QAx		QBx		QCx	
			POWER_DN = 0	POWER_DN = 1	POWER_DN = 0	POWER_DN = 1	POWER_DN = 0	POWER_DN = 1
0	0	0	4x	2x	4x	2x	2x	x
0	0	1	4x	2x	4x	2x	4/3x	2/3x
0	1	0	4x	2x	2x	x	2x	x
0	1	1	4x	2x	2x	x	4/3x	2/3x
1	0	0	2x	x	4x	2x	2x	x
1	0	1	2x	x	4x	2x	4/3x	2/3x
1	1	0	2x	x	2x	x	2x	x
1	1	1	2x	x	2x	x	4/3x	2/3x

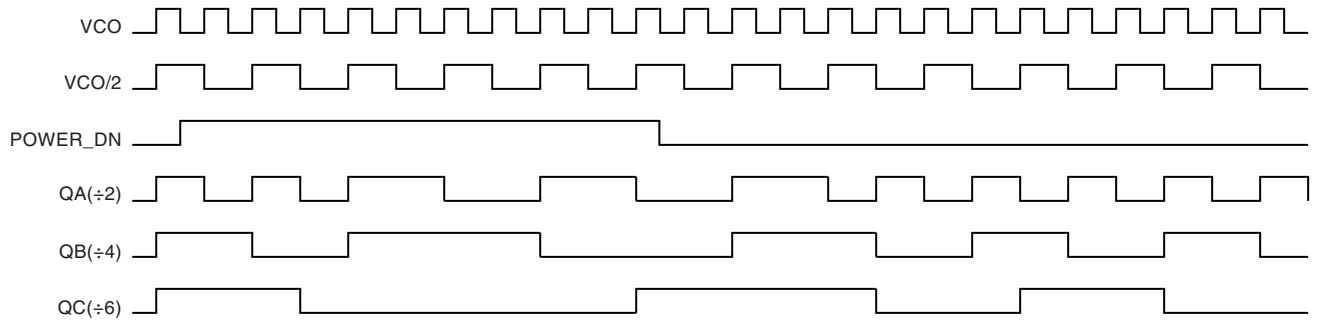


FIGURE 1A. POWER_DN TIMING DIAGRAM

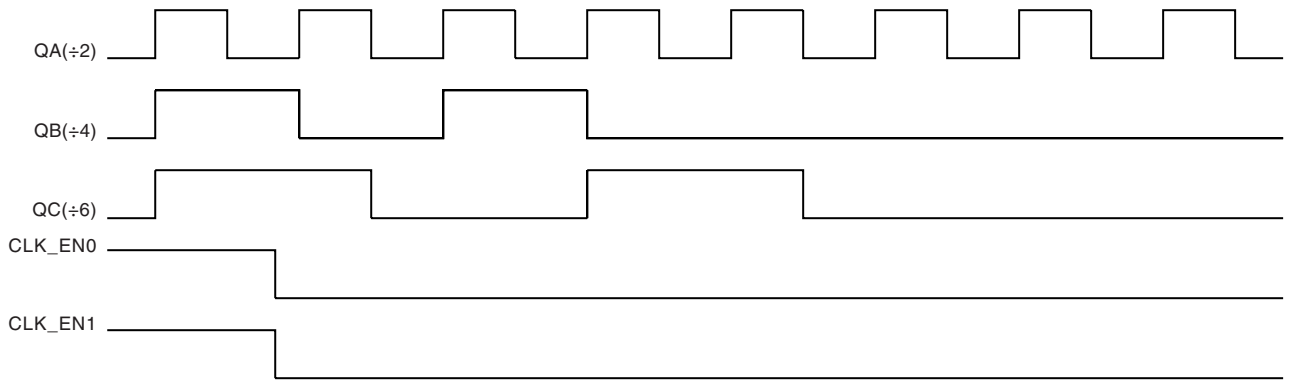
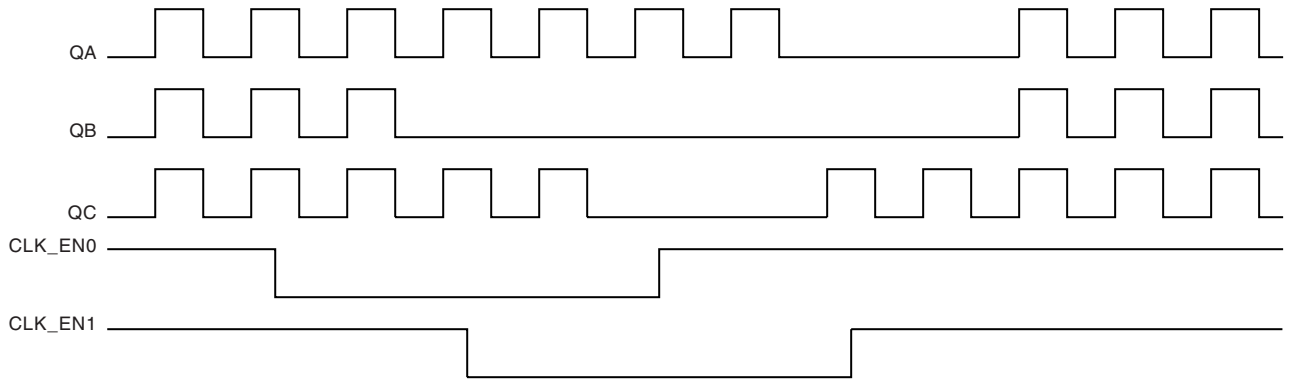


FIGURE 1B. CLK_ENx TIMING DIAGRAMS

ABSOLUTE MAXIMUM RATINGS

Supply Voltage, V_{DD}	4.6V
Inputs, V_i	-0.5V to $V_{DDA} + 0.5V$
Outputs, V_o	-0.5V to $V_{DDO} + 0.5V$
Package Thermal Impedance, θ_{JA}	47.9°C/W (0 lfpm)
Storage Temperature, T_{STG}	-65°C to 150°C

NOTE: Stresses beyond those listed under Absolute Maximum Ratings may cause permanent damage to the device. These ratings are stress specifications only. Functional operation of product at these conditions or any conditions beyond those listed in the *DC Characteristics* or *AC Characteristics* is not implied. Exposure to absolute maximum rating conditions for extended periods may affect product reliability.

TABLE 5A. POWER SUPPLY DC CHARACTERISTICS, $V_{DDA} = V_{DDO} = 3.3V \pm 5\%$, $T_A = -40^\circ\text{C}$ to 85°C

Symbol	Parameter	Test Conditions	Minimum	Typical	Maximum	Units
V_{DDA}	Analog Supply Voltage		3.135	3.3	3.465	V
V_{DDO}	Output Supply Voltage		3.135	3.3	3.465	V
I_{DDA}	Analog Supply Current			20		mA
I_{DDO}	Output Supply Current			100		mA

TABLE 5B. LVCMOS/LVTTL DC CHARACTERISTICS, $V_{DDA} = V_{DDO} = 3.3V \pm 5\%$, $T_A = -40^\circ\text{C}$ to 85°C

Symbol	Parameter	Test Conditions	Minimum	Typical	Maximum	Units
V_{IH}	Input High Voltage	DIV_SELA:DIV_SELC, CLK_EN0, CLK_EN1, POWER_DN, nMR, CLK_SEL, PLL_SEL, EXTFB_SEL	2		$V_{DD} + 0.3$	V
		CLK1, EXT_FB	2		$V_{DD} + 0.3$	V
V_{IL}	Input Low Voltage	DIV_SELA:DIV_SELC, CLK_EN0, CLK_EN1, POWER_DN, nMR, CLK_SEL, PLL_SEL, EXTFB_SEL	-0.3		0.8	V
		CLK1, EXT_FB	-0.3		1.3	V
I_{IN}	Input Current				± 120	μA
V_{OH}	Output High Voltage; NOTE 1	$I_{OH} = -20\text{mA}$	2.4			V
V_{OL}	Output Low Voltage; NOTE 1	$I_{OL} = 20\text{mA}$			0.5	V

NOTE 1: Outputs terminated with 50Ω to $V_{DDO}/2$. See Parameter Measurement section, 3.3V Output Load Test Circuit.

TABLE 5C. DIFFERENTIAL DC CHARACTERISTICS, $V_{DDA} = V_{DDO} = 3.3V \pm 5\%$, $T_A = -40^\circ\text{C}$ to 85°C

Symbol	Parameter	Test Conditions	Minimum	Typical	Maximum	Units
I_{IN}	Input Current				± 120	μA
V_{PP}	Peak-to-Peak Input Voltage		0.15		1.3	V
V_{CMR}	Common Mode Input Voltage; NOTE 1		GND + 0.5		$V_{DD} - 0.85$	V

NOTE 1: Common mode voltage is defined as V_{IH} .

TABLE 6. PLL INPUT REFERENCE CHARACTERISTICS, $V_{DDA} = V_{DDO} = 3.3V \pm 5\%$, $T_A = -40^\circ\text{C}$ TO 85°C

Symbol	Parameter	Test Conditions	Minimum	Typical	Maximum	Units
f_{REF}	Input Reference Frequency NOTE: Input reference frequency is limited by the divider selection and the VCO lock range.				150	MHz

TABLE 7. AC CHARACTERISTICS, $V_{DDA} = V_{DDO} = 3.3V \pm 5\%$, $T_A = -40^\circ\text{C}$ TO 85°C

Symbol	Parameter	Test Conditions	Minimum	Typical	Maximum	Units	
f_{MAX}	Output Frequency	QAx, QBx	$\div 2$		150	MHz	
		QAx, QBx, QCx	$\div 4$		120	MHz	
		QCx	$\div 6$		80	MHz	
t_{PD}	Propagation Delay; NOTE 1	CLK1 to EXT_FB	fref = 50MHz, FB = $\div 8$	-375	-200	-50	ps
		CLK0, nCLK0 to EXT_FB		-100	50	200	ps
$t_{sk(o)}$	Output Skew; NOTE 2, 4	Same Frequency			300	ps	
		Different Frequency			400	ps	
$f_{jitter(cc)}$	Cycle-to-Cycle Jitter; NOTE 4				100	ps	
f_{VCO}	PLL VCO Lock Range		220		480	MHz	
t_R/t_F	Output Rise Time; NOTE 3	0.8V to 2.0V	0.1		1	ns	
odc	Output Duty Cycle		45		55	%	
t_{LOCK}	PLL Lock Time				10	ms	
t_{PZL}, t_{PZH}	Output Enable Time; NOTE 3		2		10	ns	
t_{PLZ}, t_{PHZ}	Output Disable Time; NOTE 3		2		8	ns	

NOTE: Electrical parameters are guaranteed over the specified ambient operating temperature range, which is established when the device is mounted in a test socket with maintained transverse airflow greater than 500 lfpm. The device will meet specifications after thermal equilibrium has been reached under these conditions.

NOTE: All parameters measured at f_{MAX} unless noted otherwise.

NOTE 1: Measured from the differential input crossing point to $V_{DDO}/2$ of the output

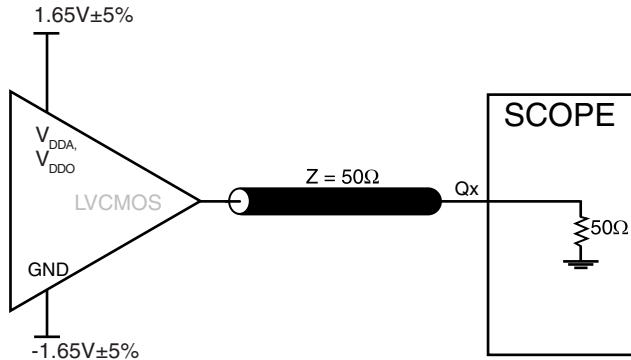
NOTE 2: Defined as skew between outputs at the same supply voltage and with equal load conditions.

Measured at $V_{DDO}/2$.

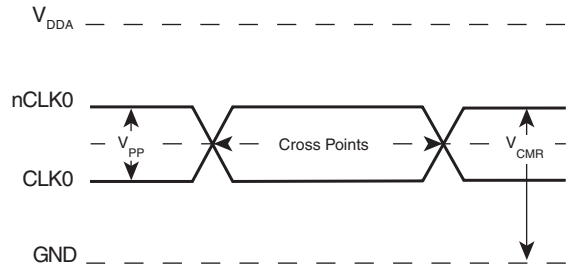
NOTE 3: These parameters are guaranteed by characterization. Not tested in production.

NOTE 4: This parameter is defined in accordance with JEDEC Standard 65.

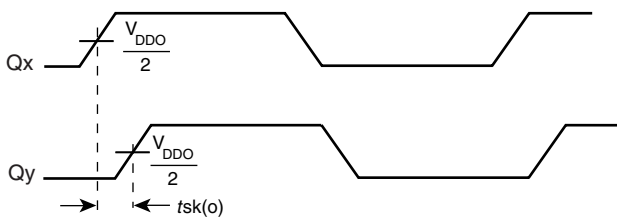
PARAMETER MEASUREMENT INFORMATION



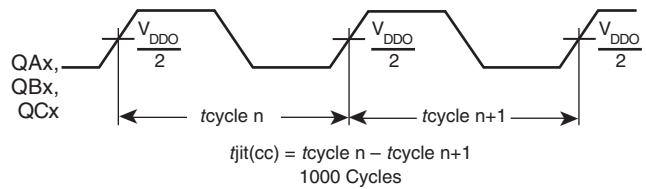
3.3V OUTPUT LOAD AC TEST CIRCUIT



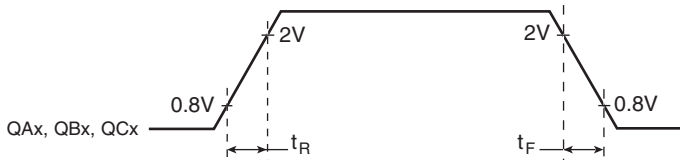
DIFFERENTIAL INPUT LEVEL



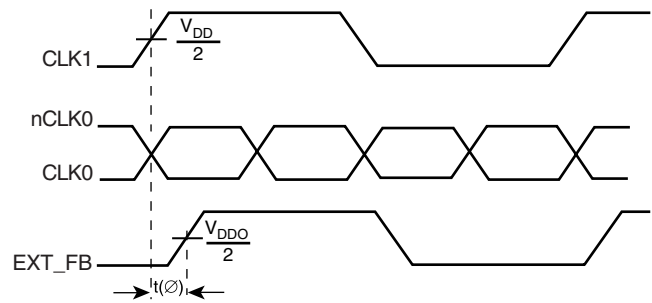
OUTPUT SKEW



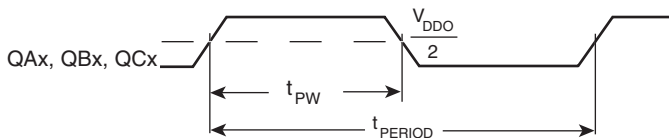
CYCLE-TO-CYCLE JITTER



OUTPUT RISE/FALL TIME



PROPAGATION DELAY



odc & t_{PERIOD}

$$odc = \frac{t_{PW}}{t_{PERIOD}} \times 100\%$$

APPLICATION INFORMATION

WIRING THE DIFFERENTIAL INPUT TO ACCEPT SINGLE ENDED LEVELS

Figure 2 shows how a differential input can be wired to accept single ended levels. The reference voltage $V_{REF} = V_{DD}/2$ is generated by the bias resistors R1 and R2. The bypass capacitor (C1) is used to help filter noise on the DC bias. This bias circuit should be located as close to the input pin as possible. The ratio of R1 and R2 might need to be adjusted to position the V_{REF} in the center of the input voltage swing. For example, if the input clock swing is 2.5V and $V_{DD} = 3.3V$, R1 and R2 value should be adjusted to set V_{REF} at 1.25V. The values below are for when both the single-ended swing and V_{DD} are at the same voltage. This configuration requires that the sum of the output impedance of the driver (R_o) and the series resistance (R_s) equals the transmission line impedance. In addition, matched termination at the input will attenuate the signal in half. This can be done in one of two ways. First, R3 and R4 in parallel should equal the transmission line

impedance. For most 50 applications, R3 and R4 can be 100Ω. The values of the resistors can be increased to reduce the loading for slower and weaker LVCMOS driver. When using single ended signaling, the noise rejection benefits of differential signaling are reduced. Even though the differential input can handle full rail LVCMOS signaling, it is recommended that the amplitude be reduced. The datasheet specifies a lower differential amplitude, however this only applies to differential signals. For single-ended applications, the swing can be larger, however V_{IL} cannot be less than -0.3V and V_{IH} cannot be more than $V_{DD} + 0.3V$. Though some of the recommended components might not be used, the pads should be placed in the layout. They can be utilized for debugging purposes. The datasheet specifications are characterized and guaranteed by using a differential signal.

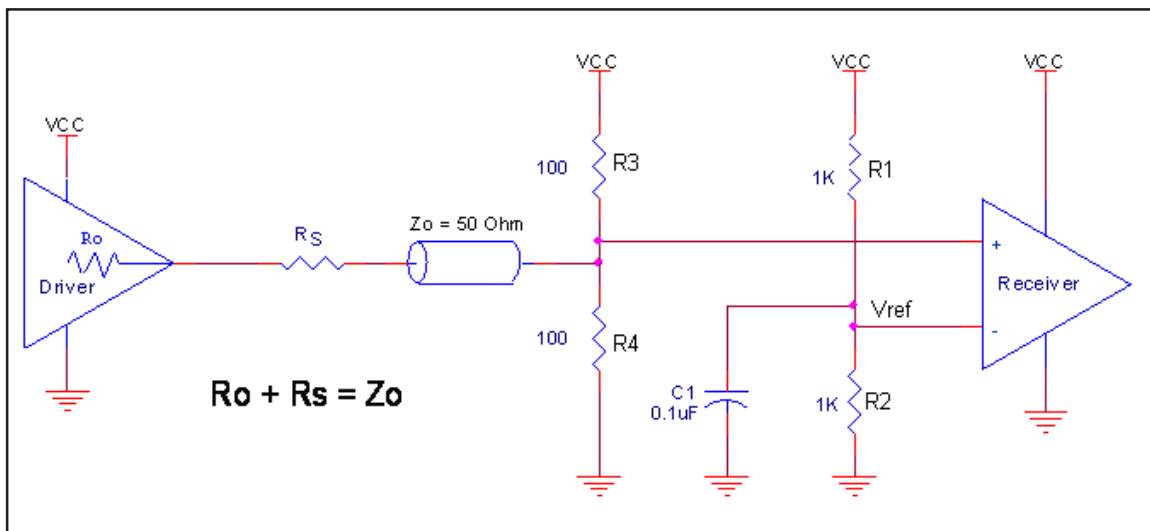


FIGURE 2. SINGLE ENDED SIGNAL DRIVING DIFFERENTIAL INPUT

DIFFERENTIAL CLOCK INPUT INTERFACE

The CLK /nCLK accepts LVDS, LVPECL, LVHSTL, SSTL, HCSSL and other differential signals. Both differential signals must meet the V_{PP} and V_{CMR} input requirements. Figures 3A to 3F show interface examples for the CLK/nCLK input driven by the most common driver types. The input interfaces suggested here are ex-

amples only. Please consult with the vendor of the driver component to confirm the driver termination requirements. For example in Figure 3A, the input termination applies for IDT open emitter LVHSTL drivers. If you are using an LVHSTL driver from another vendor, use their termination recommendation.

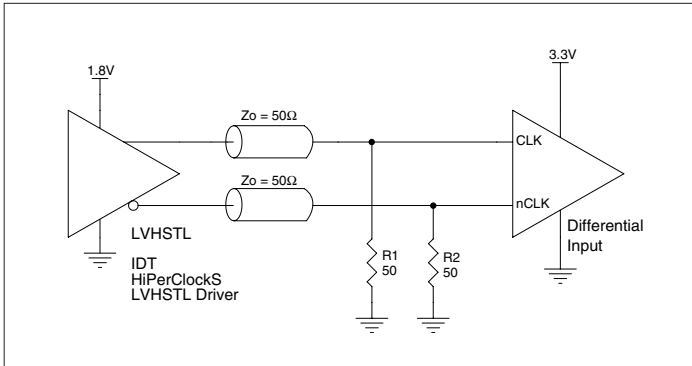


FIGURE 3A. CLK/nCLK INPUT DRIVEN BY AN IDT OPEN EMITTER LVHSTL DRIVER

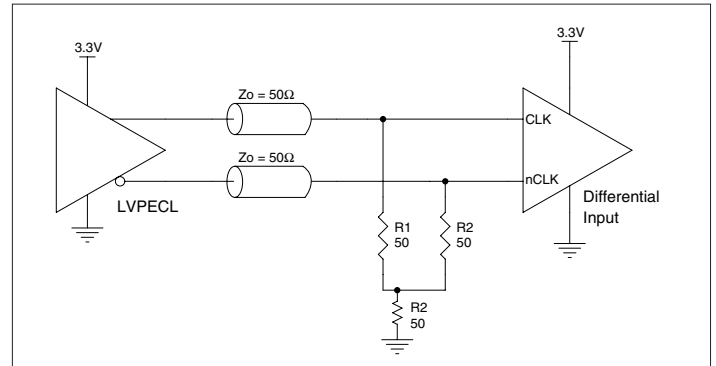


FIGURE 3B. CLK/nCLK INPUT DRIVEN BY A 3.3V LVPECL DRIVER

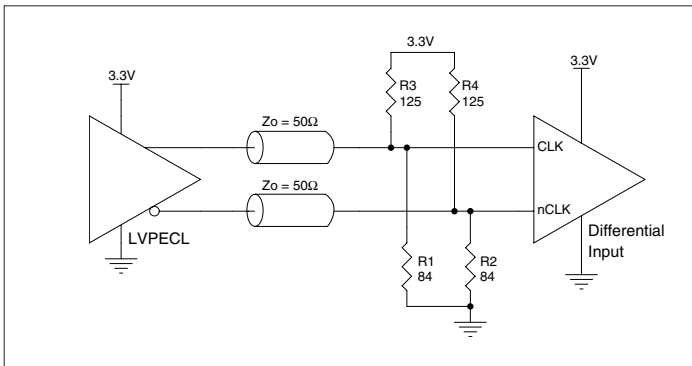


FIGURE 2C. CLK/nCLK INPUT DRIVEN BY A 3.3V LVPECL DRIVER

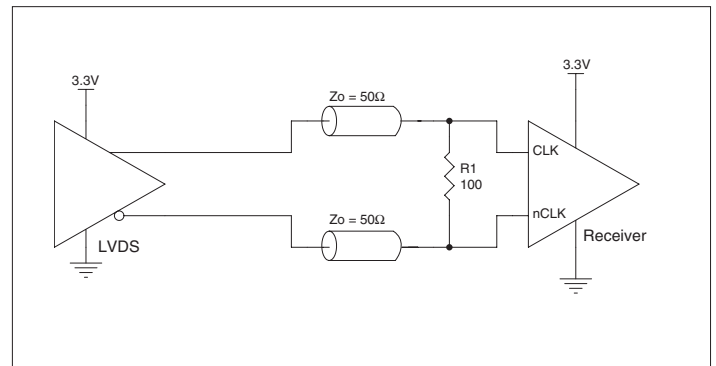


FIGURE 3D. CLK/nCLK INPUT DRIVEN BY A 3.3V LVDS DRIVER

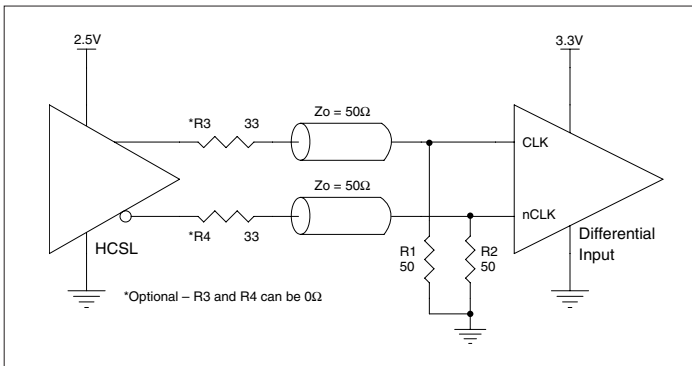


FIGURE 3E. CLK/nCLK INPUT DRIVEN BY A 3.3V HCSSL DRIVER

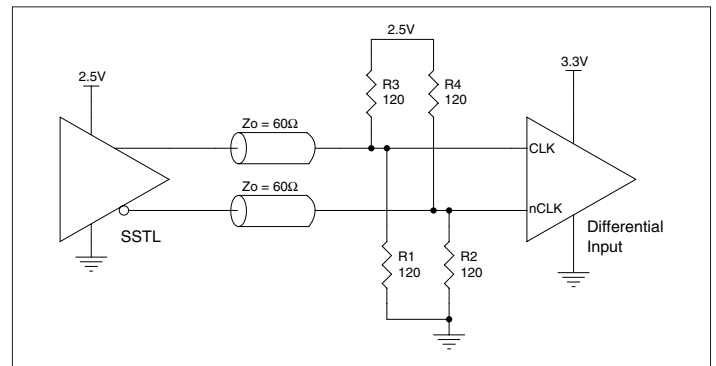


FIGURE 3F. CLK/nCLK INPUT DRIVEN BY A 2.5V SSTL DRIVER

SCHEMATIC EXAMPLE

Figure 4A shows a schematic example of using an ICS87931I. It is recommended to have one decouple capacitor per power pin. Each decoupling capacitor should be located as close as possible to the

power pin. The low pass filter R7, C11 and C16 for clean analog supply should also be located as close to the V_{DDA} pin as possible.

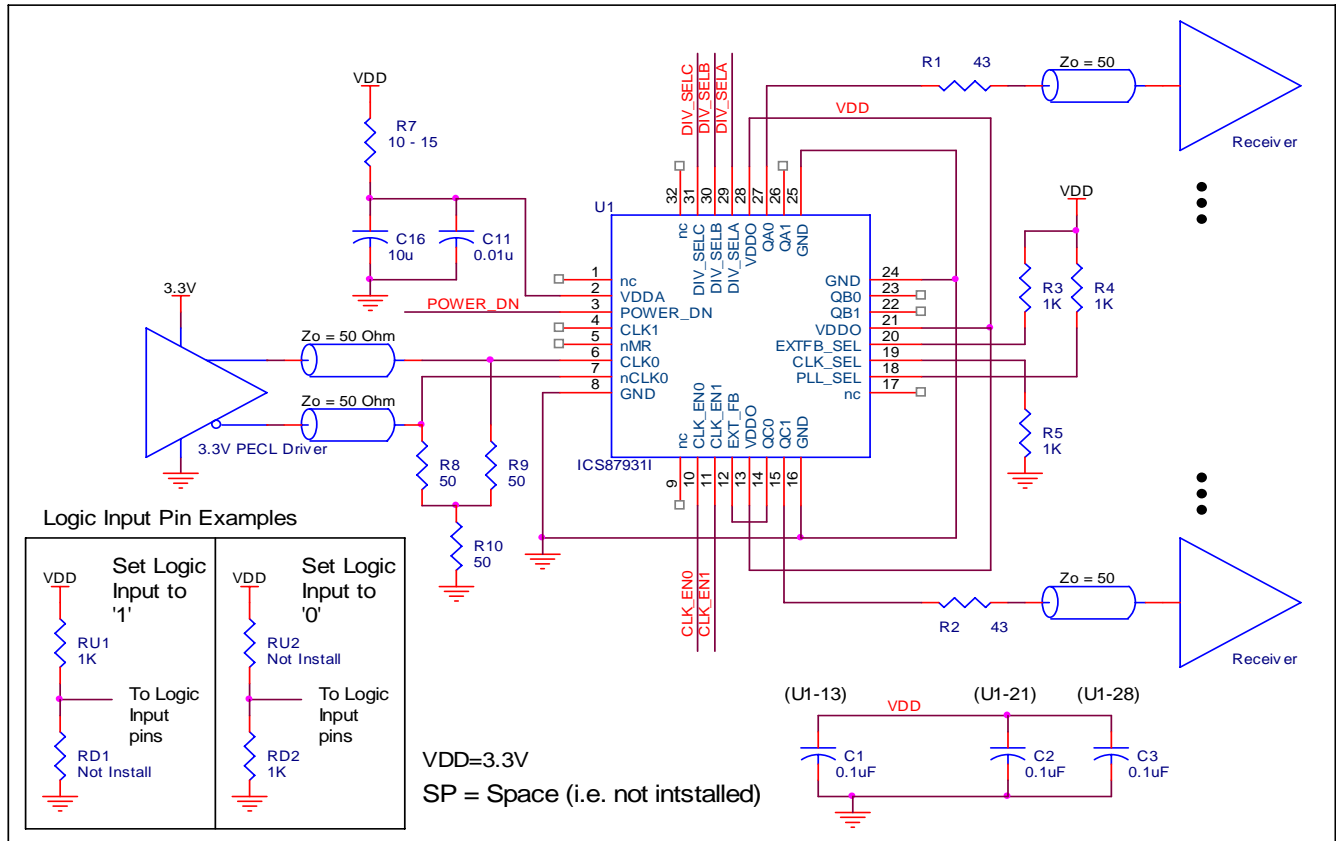


FIGURE 4A. ICS87931I SCHEMATIC EXAMPLE

The following component footprints are used in this layout example:

All the resistors and capacitors are size 0603.

POWER AND GROUNDING

Place the decoupling capacitors as close as possible to the power pins. If space allows, placement of the decoupling capacitor on the component side is preferred. This can reduce unwanted inductance between the decoupling capacitor and the power pin caused by the via.

Maximize the power and ground pad sizes and number of vias capacitors. This can reduce the inductance between the power and ground planes and the component power and ground pins.

The RC filter consisting of R7, C11, and C16 should be placed as close to the V_{DDA} pin as possible.

CLOCK TRACES AND TERMINATION

Poor signal integrity can degrade the system performance or cause system failure. In synchronous high-speed digital systems, the clock signal is less tolerant to poor signal integrity than other signals. Any ringing on the rising or falling edge or excessive ring back can cause system failure. The shape of the trace and the trace delay

might be restricted by the available space on the board and the component location. While routing the traces, the clock signal traces should be routed first and should be locked prior to routing other signal traces.

- The differential 50Ω output traces should have same length.
- Avoid sharp angles on the clock trace. Sharp angle turns cause the characteristic impedance to change on the transmission lines.
- Keep the clock traces on the same layer. Whenever possible, avoid placing vias on the clock traces. Placement of vias on the traces can affect the trace characteristic impedance and hence degrade signal integrity.
- To prevent cross talk, avoid routing other signal traces in parallel with the clock traces. If running parallel traces is unavoidable, allow a separation of at least three trace widths between the differential clock trace and the other signal trace.
- Make sure no other signal traces are routed between the clock trace pair.
- The series termination resistors should be located as close to the driver pins as possible.

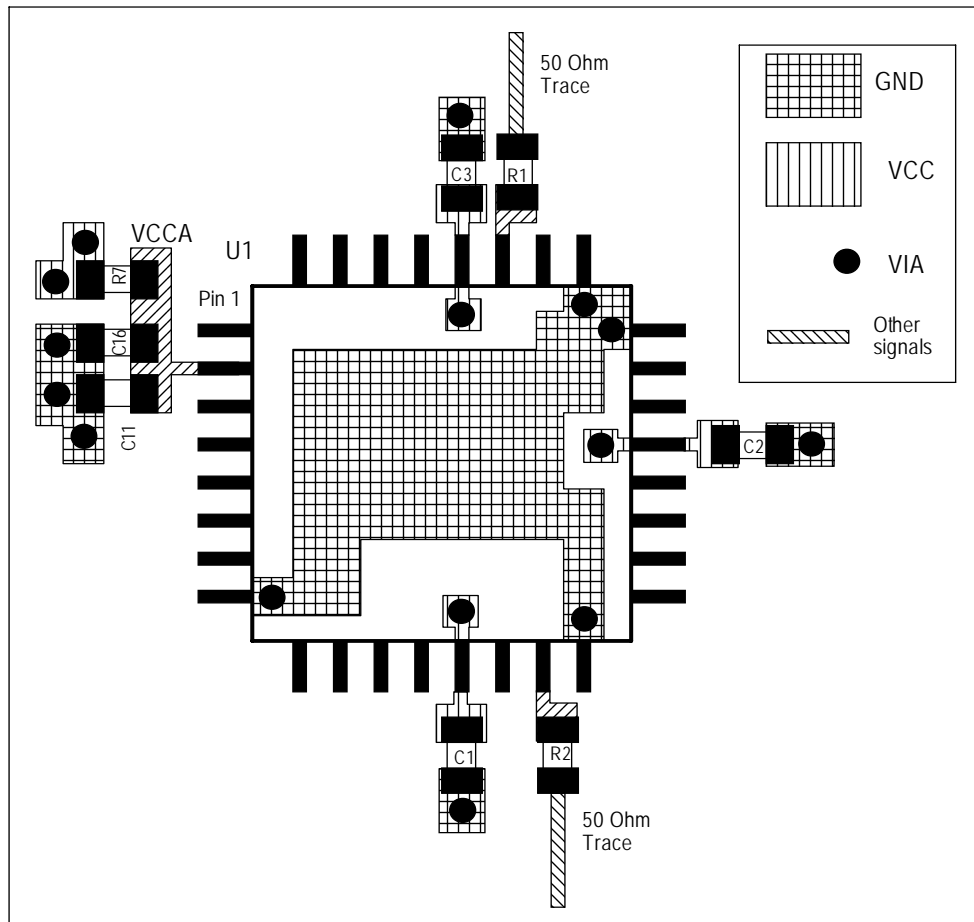


FIGURE 4B. PCB BOARD LAYOUT FOR ICS87931I

RELIABILITY INFORMATION

TABLE 8. θ_{JA} VS. AIR FLOW TABLE

θ_{JA} by Velocity (Linear Feet per Minute)			
	0	200	500
Single-Layer PCB, JEDEC Standard Test Boards	67.8°C/W	55.9°C/W	50.1°C/W
Multi-Layer PCB, JEDEC Standard Test Boards	47.9°C/W	42.1°C/W	39.4°C/W

NOTE: Most modern PCB designs use multi-layered boards. The data in the second row pertains to most designs.

TRANSISTOR COUNT

The transistor count for ICS87931I is: 2942

PACKAGE OUTLINE - Y SUFFIX

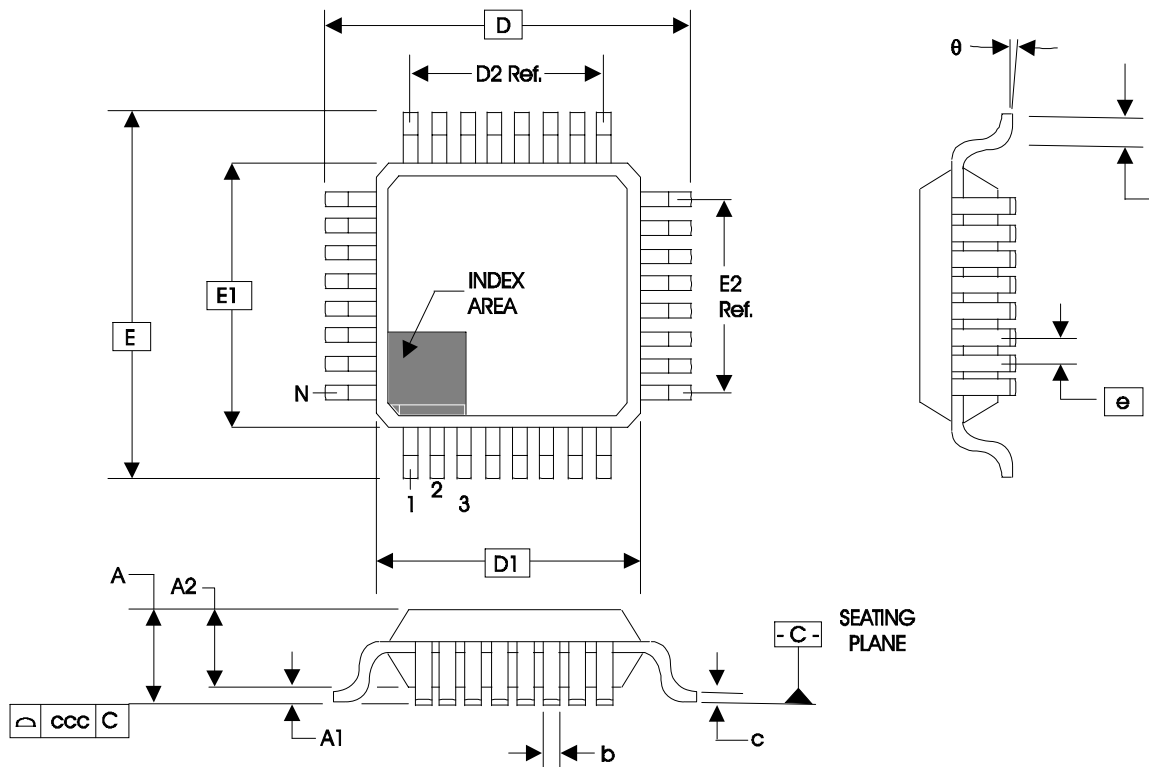


TABLE 9. PACKAGE DIMENSIONS

JEDEC VARIATION ALL DIMENSIONS IN MILLIMETERS			
SYMBOL	BBA		
	MINIMUM	NOMINAL	MAXIMUM
N	32		
A	--	--	1.60
A1	0.05	--	0.15
A2	1.35	1.40	1.45
b	0.30	0.37	0.45
c	0.09	--	0.20
D	9.00 BASIC		
D1	7.00 BASIC		
D2	5.60 Ref.		
E	9.00 BASIC		
E1	7.00 BASIC		
E2	5.60 Ref.		
e	0.80 BASIC		
L	0.45	0.60	0.75
θ	0°	--	7°
ccc	--	--	0.10

Reference Document: JEDEC Publication 95, MS-026

TABLE 10. ORDERING INFORMATION

Part/Order Number	Marking	Package	Packaging	Temperature
87931BYI	ICS87931BI	32 Lead LQFP	Tray	-40°C to 85°C
87931BYIT	ICS87931BI	32 Lead LQFP	1000 Tape & Reel	-40°C to 85°C
87931BYILF	ICS87931BYIL	Lead-Free, 32 Lead LQFP	Tray	-40°C to 85°C
87931BYILFT	ICS87931BYIL	Lead-Free, 32 Lead LQFP	1000 Tape & Reel	-40°C to 85°C

While the information presented herein has been checked for both accuracy and reliability, Integrated Device Technology, Incorporated (IDT) assumes no responsibility for either its use or for infringement of any patents or other rights of third parties, which would result from its use. No other circuits, patents, or licenses are implied. This product is intended for use in normal commercial applications. Any other applications such as those requiring extended temperature ranges, high reliability or other extraordinary environmental requirements are not recommended without additional processing by IDT. IDT reserves the right to change any circuitry or specifications without notice. IDT does not authorize or warrant any IDT product for use in life support devices or critical medical instruments.

REVISION HISTORY SHEET				
Rev	Table	Page	Description of Change	Date
A	T7	6	AC Characteristics Table - added thermal note.	2/23/10
	T10	8	Updated Wiring the Differential Input to Accept Single-Ended Levels section.	
		9	Updated Differential Clock Input Interface section.	
		14	Ordering Information Table - added LF part numbers and marking. Deleted "ICS" prefix from Part/Order Number column. Changed from ICS to IDT format header/footer.	
A	T4B	3	Input Reference Frequency Table - added to table description "EXTFB_SEL = 0".	8/25/10



www.IDT.com

6024 Silver Creek Valley Road
San Jose, CA 95138

Sales

800-345-7015 (inside USA)
+408-284-8200 (outside USA)
Fax: 408-284-2775
www.IDT.com/go/contactIDT

Technical Support

netcom@idt.com
+480-763-2056

DISCLAIMER Integrated Device Technology, Inc. (IDT) and its subsidiaries reserve the right to modify the products and/or specifications described herein at any time and at IDT's sole discretion. All information in this document, including descriptions of product features and performance, is subject to change without notice. Performance specifications and the operating parameters of the described products are determined in the independent state and are not guaranteed to perform the same way when installed in customer products. The information contained herein is provided without representation or warranty of any kind, whether express or implied, including, but not limited to, the suitability of IDT's products for any particular purpose, an implied warranty of merchantability, or non-infringement of the intellectual property rights of others. This document is presented only as a guide and does not convey any license under intellectual property rights of IDT or any third parties.

IDT's products are not intended for use in life support systems or similar devices where the failure or malfunction of an IDT product can be reasonably expected to significantly affect the health or safety of users. Anyone using an IDT product in such a manner does so at their own risk, absent an express, written agreement by IDT.

Integrated Device Technology, IDT and the IDT logo are registered trademarks of IDT. Other trademarks and service marks used herein, including protected names, logos and designs, are the property of IDT or their respective third party owners.

Copyright 2010. All rights reserved.

X-ON Electronics

Largest Supplier of Electrical and Electronic Components

Click to view similar products for [idt manufacturer](#):

Other Similar products are found below :

[8304AMILF](#) [7133SA55JG](#) [5P49V5935B539LTGI](#) [7025L25PF](#) [70V3589S133BCI](#) [7140SA55P](#) [71T75602S133BGI](#) [F1423EVB-DI](#)
[F1423EVB-SI](#) [952601EGLF](#) [9DB801CGLF](#) [F2912EVBI](#) [54FCT162245ATEB](#) [ZSC31150KIT V1.2](#) [7025L35G](#) [70T653MS12BCI](#)
[70V05L15JG](#) [70V3319S133BCI](#) [70V3599S133BC](#) [70V639S10BCG](#) [70V658S10BF](#) [71342LA20JG](#) [72T36125L5BBGI](#) [72V36110L7-5BBGI](#)
[74FCT162827CTPAG](#) [P9120-EVAL](#) [ZLED7020Kit-D1 V2.0](#) [XUL536150.000JS6I](#) [9112AF-17LF](#) [854110AYILF](#) [EVKVC5-5933ALL](#)
[83PR226BKI-01LF](#) [74ALVCH162244PAG8](#) [7024L20PFGI](#) [84329BYLF](#) [670M-03ILF](#) [QS3VH251PAG](#) [QS34XVH245Q3G8](#)
[49FCT805PYG](#) [82EBP33831-2](#) [9FGV0241AKILFT](#) [F1978EVBI](#) [F2911EVBI](#) [F2950EVBI](#) [SDAH01](#) [SDAH02](#) [DEV5L2503](#) [DEV5X2503](#)
[ZMID5201STKIT](#) [5P49V6968-EVK](#)