

Quick Start

DEMO876xAH Demonstration Board for ADC1006S055/070 family

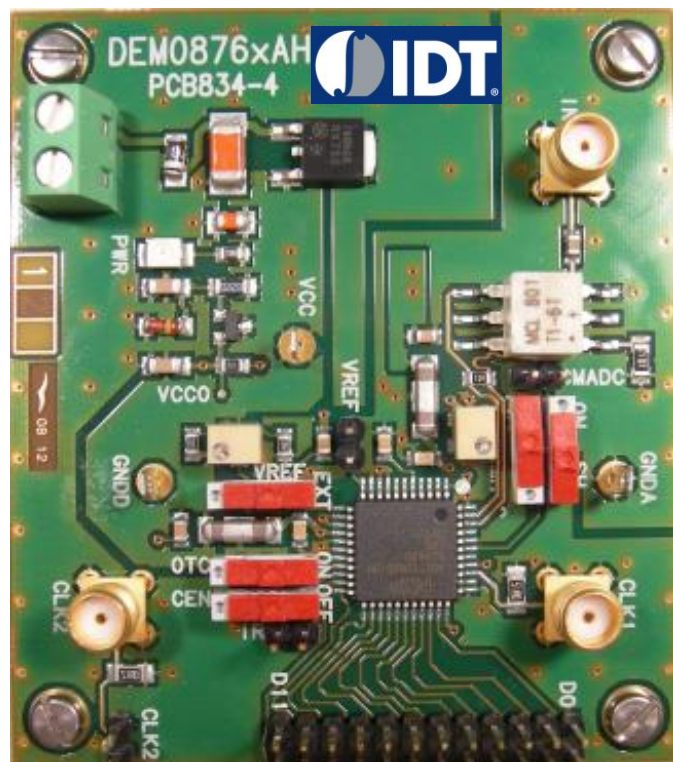
Rev. 2.0 — 2 July 2012

Quick Start

Document information

Info	Content
Keywords	DEMO876xAH, PCB834-4, Demonstration board, ADC, Converter, ADC1006S055/070
Abstract	This document describes how to use the demonstration board DEMO876xAH for the analog-to-digital converter ADC1006S055/070 family.

Overview



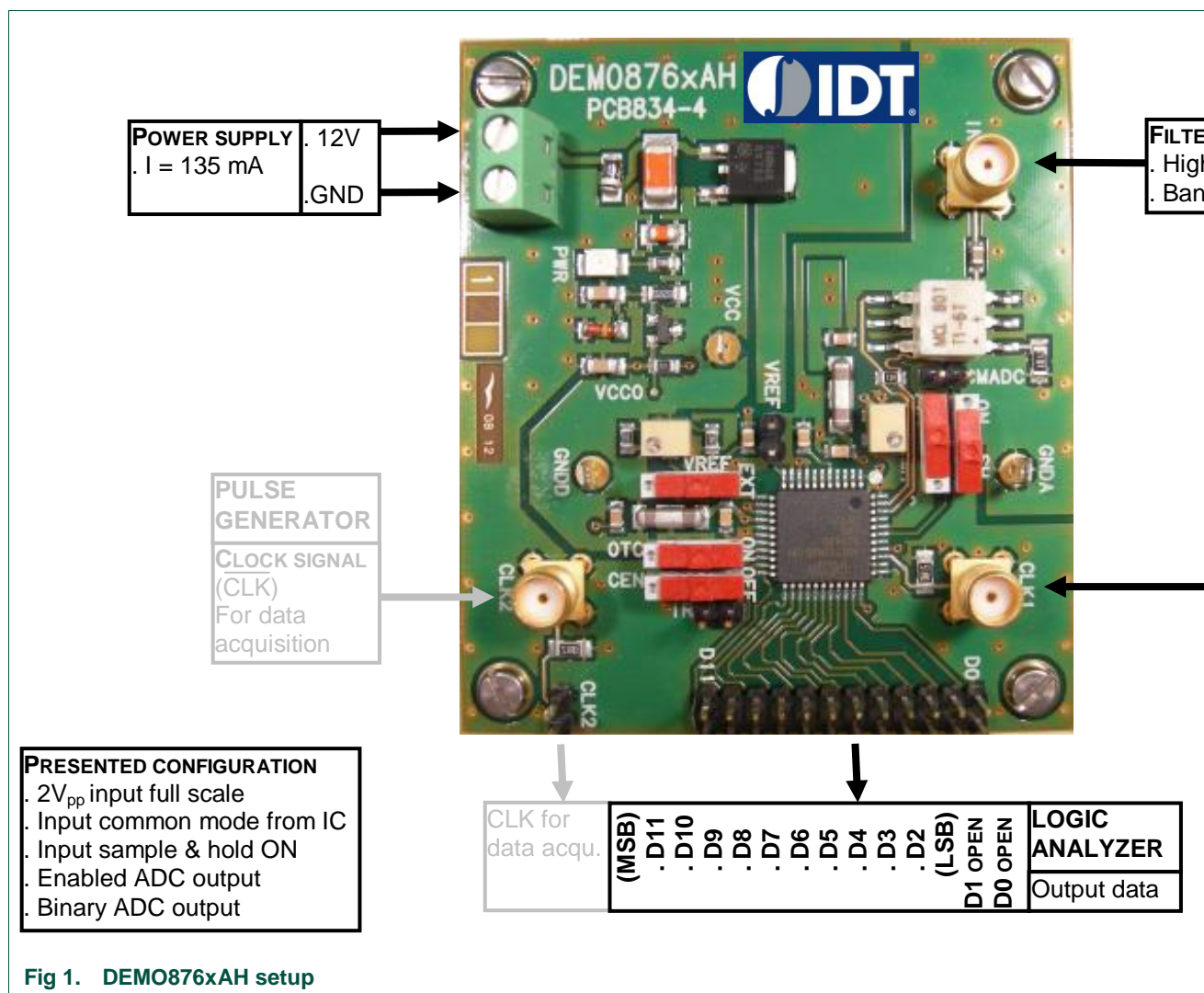
Revision history

Rev	Date	Description
2.0	20120702	Rebranded.
0.2	20080610	Example added.

1. Quick start

1.1 Setup overview

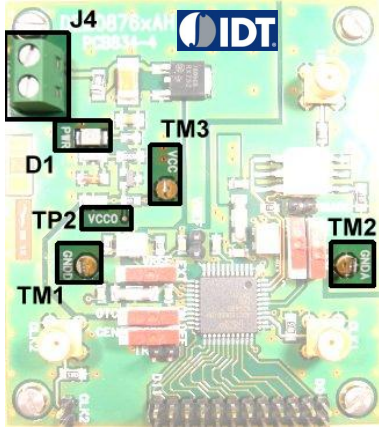
Figure Fig 1 presents the connections to measure DEMO876xAH.



1.2 Power supply

The board is powered with a single 12 V_{DC} power supply. A power supply regulator is used to supply all the circuitry on the board.

Table 1. General power supply

Name	Function	View
J4	Green connector – Power supply 12 V _{DC} / 135 mA.	
D8	PWR green light – It indicates the good supply plugging	
TM1	DGND test point – Digital ground	
TM2	AGND test point – Analog ground	
TM3	VCC test point – ADC core power supply	
TP2	VCCO test point – Output stage power supply	

1.3 Input signals (IN, CLK1)

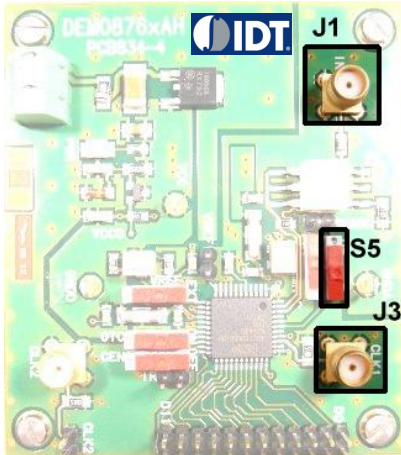


To ensure a good evaluation of the device, the input signal and the input clock must be synchronized together.

Moreover, the input frequency (F_i, MHz) and the clock frequency (F_{clk}, Msp/s) should follow the formula:

$$\frac{F_i}{F_{clk}} = \frac{M}{N}$$

,where M is an odd number of period and N is the number of samples.

Table 2. Input signals

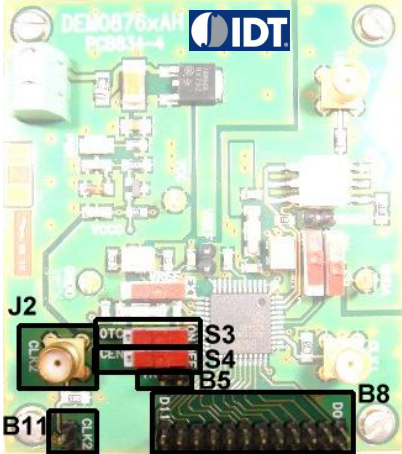




Name	Function	View
J1	IN connector – Analog input signal (50Ω matching)	
J3	CLK1 connector – Clock input signal (50Ω matching)	
S5	SH switch – Activation of the input sample-and-hold	
	<div style="display: flex; justify-content: space-around; align-items: center;"> <div style="text-align: center;"> <p>Active</p> <p>7MHz < F_{clk} < 70MHz</p>  </div> <div style="text-align: center;"> <p>Tracking mode</p> <p>F_i < 1 MHz</p>  </div> </div>	

1.4 Output signals (D2 to D11, IR)

The digital output signal is available in binary or 2's complement format.

An optional clock connector is available to simplify the acquisition clock generation.

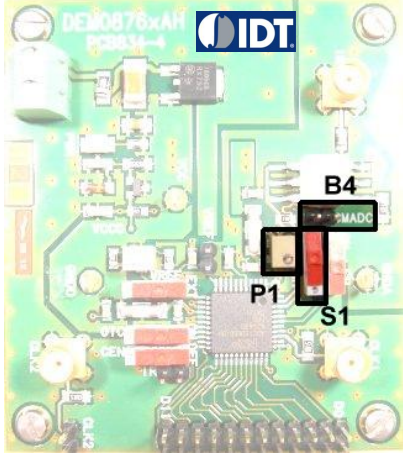


Table 3. Output signals

Name	Function	View
B8	Array connector – ADC digital output (D2 to D11)	
B5	IR test point – It indicates the out of range state of the analog input signal	
J2-B11	CLK2 connector – Optional clock for the data acquisition	
S3	OTC switch – Output format selection	
	 Binary  2's complement	
S4	CEN switch – Output enable selection	
	 Active output  High impedance output	

1.5 Input common mode (CMADC)

The input common mode can be set by the internal reference of the ADC or can be adjusted manually with a potentiometer.

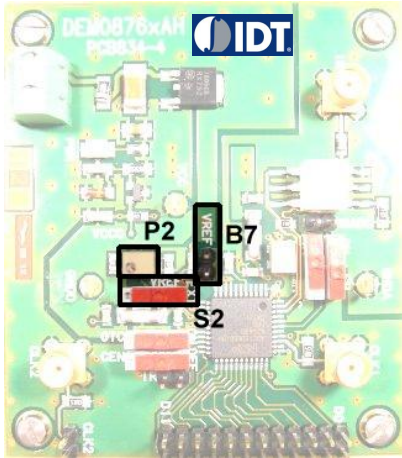


Table 4. Input common mode voltage adjustment

Name	Function	View
S1	Switch – Selection between internal and external common mode	
	 Internal common mode  External common mode	
P1	Potentiometer – External common mode adjustment	
B4	CMADC test point – input common mode	

1.6 Input full scale (VREF)

The input full scale mode can be set by the internal reference of the ADC or can be adjusted manually with a potentiometer.

Table 5. Input full scale adjustment

Name	Function	View
S2	Ext switch – Selection between internal and external reference voltage	
	 Internal reference	
	 External reference	
P2	VREF potentiometer – External reference voltage adjustment	
B7	VREF test point – VREF reference voltage	

2. Example

2.1 Setup example

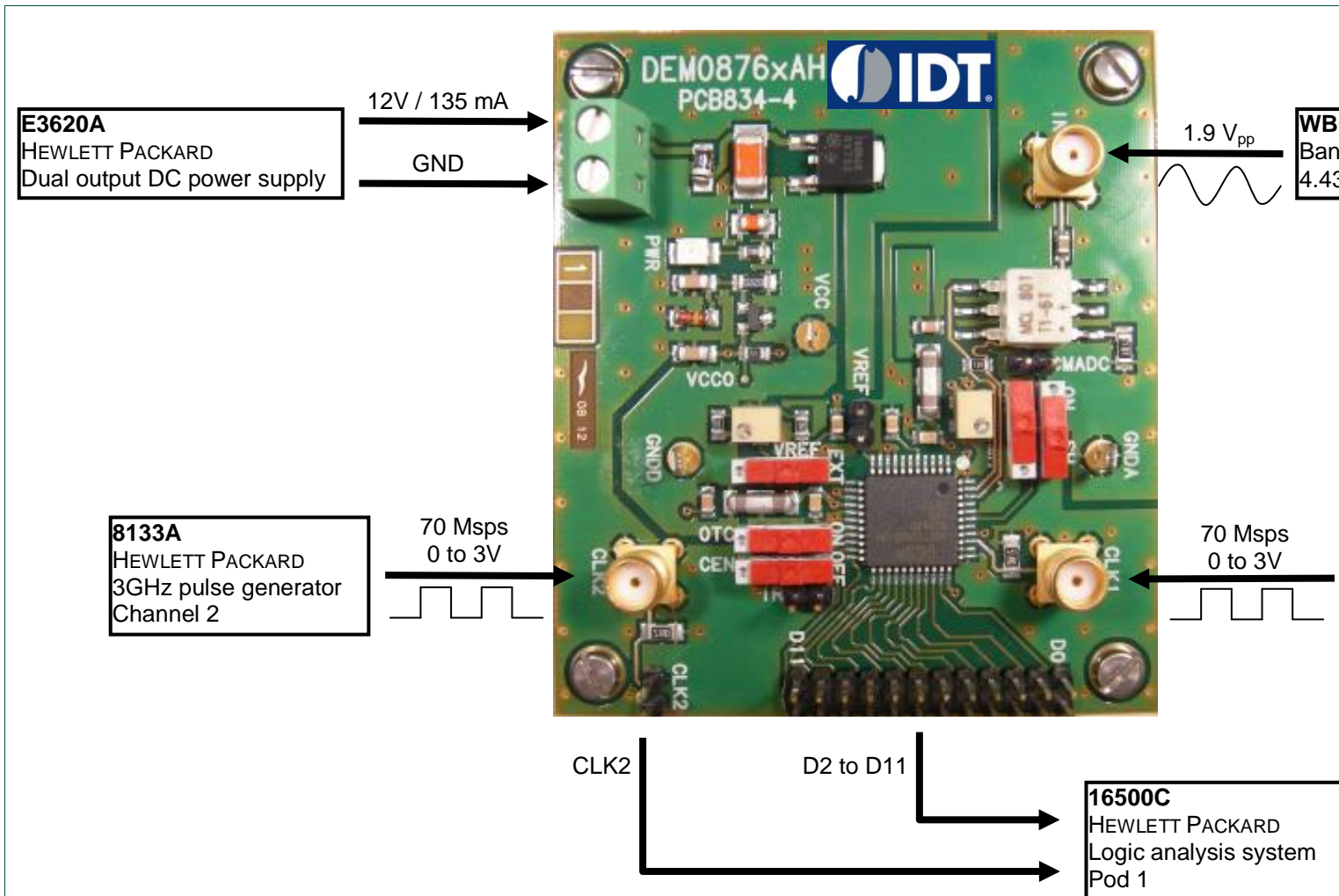


Fig 2. ADC1006S070 hardware setup

X-ON Electronics

Largest Supplier of Electrical and Electronic Components

Click to view similar products for [Position Sensor Development Tools](#) category:

Click to view products by [IDT](#) manufacturer:

Other Similar products are found below :

[EVAL-ADXRS450Z-S](#) [AS5215 DB](#) [1007214](#) [SCA3100-D04-PCB](#) [SCA830-D07-PCB](#) [STEVAL-MKI043V1](#) [EVAL-ADXRS450Z](#) [EVAL-ADXRS453Z-S](#) [MIKROE-3661](#) [IPS2200STKIT](#) [HEDS-9820EVB](#) [EVB90340-LDC-200-Rev1.0](#) [MIKROE-4005](#) [MIKROE-4231](#) [1032](#) [1007214-1](#) [1007214-3](#) [172](#) [178](#) [BOOSTXL-PGA460](#) [ADA4571R-EBZ](#) [EVAL-ADXRS453Z-V](#) [STEVAL-MKI045V1](#) [STEVAL-MKI042V1](#) [STEVAL-MKI037V1](#) [ZEPiR000103KITG](#) [ADIS16060/PCBZ](#) [SEN-08503](#) [SEN-13162](#) [IMX-070](#) [SEN-08504](#) [SEN-08502](#) [BMG250 Shuttle Board](#) [STEVAL-MKI092V2](#) [164](#) [RMH05-DK-XX-1.0](#) [981](#) [OpenIMU300RI EVK](#) [OpenIMU330BI EVK](#) [1783](#) [1786](#) [3595](#) [979](#) [982](#) [983](#) [985](#) [AS5055A-DK-ST](#) [AS5200L-MF_EK_AB](#) [AS5600L-SO_EK_AB](#) [AS5600L-WL_EK_AB](#)