

ACE-716A/AP

150W 1U Type AT Power Supply



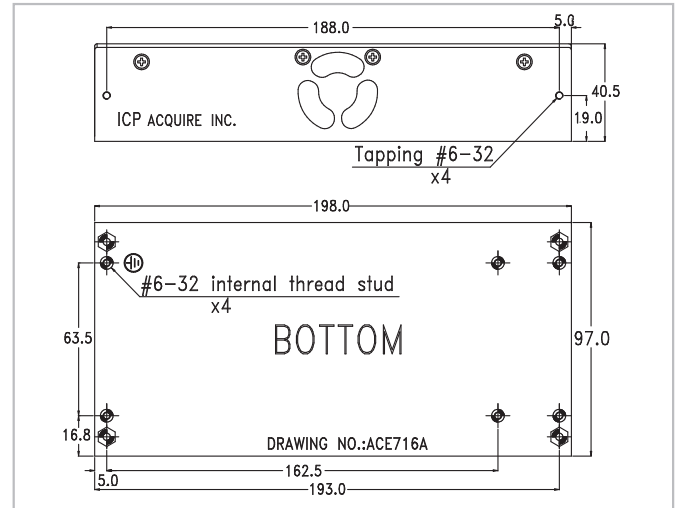
Specifications

Input Type	85 ~ 135VAC, 180 ~ 265VAC Auto Range (ACE-716A) 85 ~ 265VAC Full Range (ACE-716AP)			
Output Voltage	+5V	+12V	-5V	-12V
	18A (1A min)	4A	0.5A	1A
Efficiency	75%			
Temperature	Operating: -20°C ~ 70°C (50°C ~ 70°C derating curve) Storage: -20°C ~ 85°C			
MTBF (hrs)	149,000			
Output Connector	Optional cable			
Dimensions	198 x 97 x 40.5 mm			

Ordering Information

Part No.	Description
ACE-716A-RS	150W AC-DC AT Power Supply
ACE-716AP-RS	150W AC-DC AT Power Supply, with PFC

Dimensions (Unit: mm)



Option 1 Embedded Solution



PN: CB-716EB-RS
30 cm DC cable to CPU card with 4-pin 12 V CPU, HDD and SATA connectors

Option 2 AT P8P9 Backplane Solution



PN: CB-716P8P9-RS
30 cm DC cable AT power to P8P9 with HDD and SATA connectors

ACE-540A

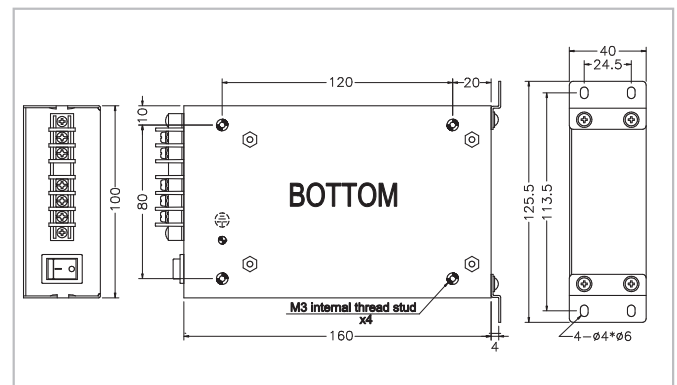
40W AC-DC AT Power Supply



Specifications

Input Type	85 ~ 264VAC Full Range				
Output Voltage	+5V	+12V	-5V	-12V	+24V
					1.7A
Efficiency	70%				
Temperature	Operating: -20°C ~ 70°C (50°C ~ 70°C derating curve) Storage: -40°C ~ 85°C				
MTBF (hrs)	370,000				
Output Connector	N/A				
Dimensions	161 x 100 x 40 mm				

Dimensions (Unit: mm)



Ordering Information

Part No.	Description
ACE-540A-RS	40W AC-DC AT Power Supply, only output +24V

X-ON Electronics

Largest Supplier of Electrical and Electronic Components

Click to view similar products for [Switching Power Supplies](#) category:

Click to view products by [IEI](#) manufacturer:

Other Similar products are found below :

[70841011](#) [73-551-0005](#) [73-551-0048](#) [PS3E-B12F](#) [PS3E-E12F](#) [AAD600S-4-OP](#) [R22095](#) [KD0204](#) [9021](#) [LDIN100150](#) [LPM000-BBAR-01](#)
[LPX17S-C](#) [EVS57-10R6/R](#) [FP80](#) [FRV7000G](#) [22929](#) [PS3E-F12F](#) [CQM1IA121](#) [40370121900](#) [VI-PU22-EXX](#) [40370121910](#) [LDIN5075](#)
[LPM615-CHAS](#) [LPX140-C](#) [09-160CFG](#) [70841025](#) [VPX3000-CBL-DC](#) [VI-LUL-IU](#) [LPM000-BBAR-05](#) [LPM000-BBAR-08](#) [LPM124-](#)
[OUTA1-48](#) [LPM000-BBAR-07](#) [LPM109-OUTA1-10](#) [LPM616-CHAS](#) [08-30466-1055G](#) [08-30466-2175G](#) [08-30466-2125G](#) [DMB-EWG](#)
[TVQF-1219-18S](#) [6504-226-2101](#) [CQM1IPS01](#) [SP-300-5](#) [CQM1-IPS02](#) [VI-MUL-ES](#) [22829](#) [08-30466-0065G](#) [VI-RU031-EWWX](#) [08-30466-](#)
[0028G](#) [EP3000AC48INZ](#) [VP-C2104853](#)