

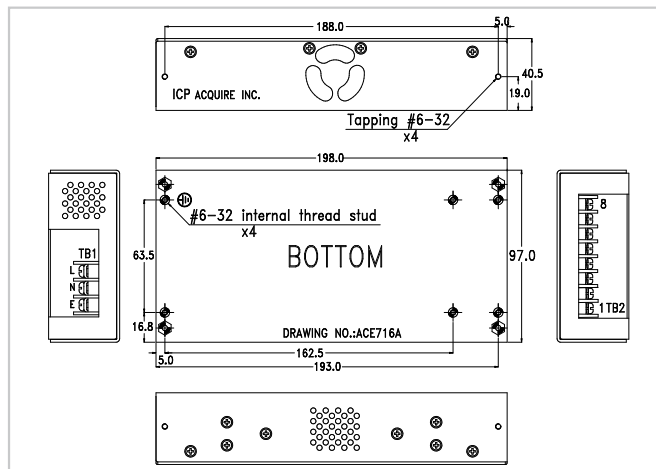
ACE-716C

150 W 24V DC input AT Power Supply



Input Type	19 ~ 30 VDC				
Output Voltage	+5 V	+12 V	-5 V	-12 V	+24 V
	18 A (2 A min)	4 A	0.5 A	1 A	
Efficiency	70%				
Temperature	Operating : -20°C ~ 70°C (50°C ~ 70°C derating curve) Storage : -20°C ~ 85°C				
MTBF(hrs)	210,000				
Output Connector	Optional Cable				
Dimensions	198 x 97 x 40.5 mm				

Dimensions



Output terminal block connectors

Pin 1, 2	Pin 3, 4	Pin 5	Pin 6	Pin7	Pin8
5 V	GND	-5 V	-12 V	GND	+12 V

Ordering Information

Part No.	Description
ACE-716C-RS	150 W 24 V DC input AT Power Supply

Optional 1	Embedded Solution	Optional 2	ATX Backplane Solution	Optional 3	AT P8P9 Backplane Solution
	PN: CB-716EB-RS 30 cm DC cable to CPU card with 4-pin 12 V CPU, HDD and SATA connectors		PN: CB-716BP-RS 30 cm DC cable to backplane with 20-pin ATX, HDD, SATA and HDD connectors		PN: CB-716P8P9-RS 30 cm DC cable AT power to P8P9 with HDD and SATA connectors

2U AC Input ATX Type

ACE-4530AP

300 W 2U ATX Power Supply



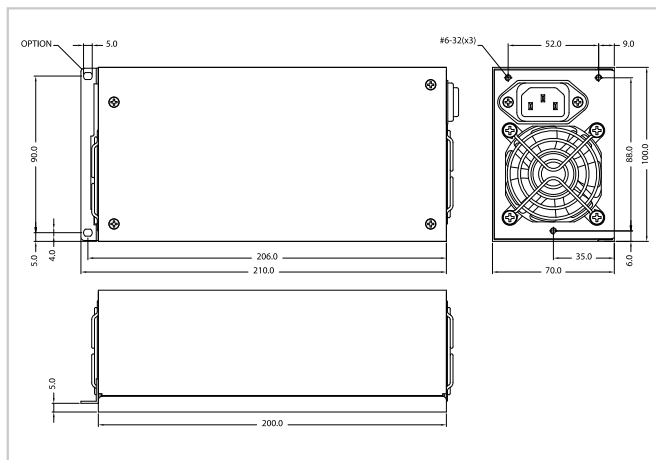
Best solution for the RACK-1350G ATX 2.0 standard w/ new 20+4 Meets ATX revision 2.0, with 20+4-pin ATX power and SATA connector



Specifications

Input Type	90 ~ 264 VAC Full Range					
Output	+5 V	+12 V	-12 V	-5 V	+3.3 V	+5 Vsb
	35 A	16 A	1 A	0.5 A	20 A	2 A
Efficiency	63%					
Temperature	Operating : 0°C ~ 50°C, Storage : -20°C ~ 80°C					
Output Connector	1 x 20+4-pin ATX		1 x 4-pin 12 V CPU			
	4 x HDD		2 x FDD			
	2 x SATA		1 x 5 V (P10)			
Dimensions	200 x 100 x 70 mm					

Dimensions



Ordering Information

Part No.	Description
ACE-4530AP-RS	300 2U AC-DC ATX Power Supply, with PFC

X-ON Electronics

Largest Supplier of Electrical and Electronic Components

Click to view similar products for [Isolated DC/DC Converters](#) category:

Click to view products by [IEI](#) manufacturer:

Other Similar products are found below :

[ESM6D044440C05AAQ](#) [FMD15.24G](#) [PSL486-7LR](#) [Q48T30020-NBB0](#) [JAHW100Y1](#) [SPB05C-12](#) [SQ24S15033-PS0S](#) [18952](#) [19-130041](#)
[CE-1003](#) [CE-1004](#) [GQ2541-7R](#) [RDS180245](#) [MAU228](#) [J80-0041NL](#) [DFC15U48D15](#) [XGS-0512](#) [XGS-1205](#) [XGS-1212](#) [XGS-2412](#) [XGS-](#)
[2415](#) [XKS-1215](#) [06322](#) [NCT1000N040R050B](#) [SPB05B-15](#) [SPB05C-15](#) [L-DA20](#) [DCG40-5G](#) [QME48T40033-PGB0](#) [XKS-2415](#) [XKS-2412](#)
[XKS-1212](#) [XKS-1205](#) [XKS-0515](#) [XKS-0505](#) [XGS-2405](#) [XGS-1215](#) [XGS-0515](#) [PS9Z-6RM4](#) [73-551-5038I](#) [AK1601-9RT](#) [VI-N61-CM](#) [VI-](#)
[R5022-EXWW](#) [PSC128-7iR](#) [RPS8-350ATX-XE](#) [DAS1004812](#) [PQA30-D24-S24-DH](#) [VI-M5F-CQ](#) [VI-LN2-EW](#) [VI-PJW01-CZY](#)