

Telehealth / Telemedicine Solution (ODM & OEM)

IEI introduces the AfoBot, an assistant robot with 8" screen, to offer an open, flexible and affordable way to develop innovative devices with state-of-the-art components and to design applications based on Android 6.0 platform that can quickly be transformed into final solution.



Android Open Development Platform

IEI has released a SDK for the Android 6.0 open platform to enable developers, content creators, and service providers to build apps and value-added experiences for home, office, retail and healthcare industries.



Wireless Mobility

Sleek and compact design makes AfoBot a convenient device to any environments. With its built-in wireless functions, you can place AfoBot in the living room and use it as a multi-function remote controller to control your home devices, or use it as a conference control terminal that can improve your meeting efficiency.



Voice-Activated Robot

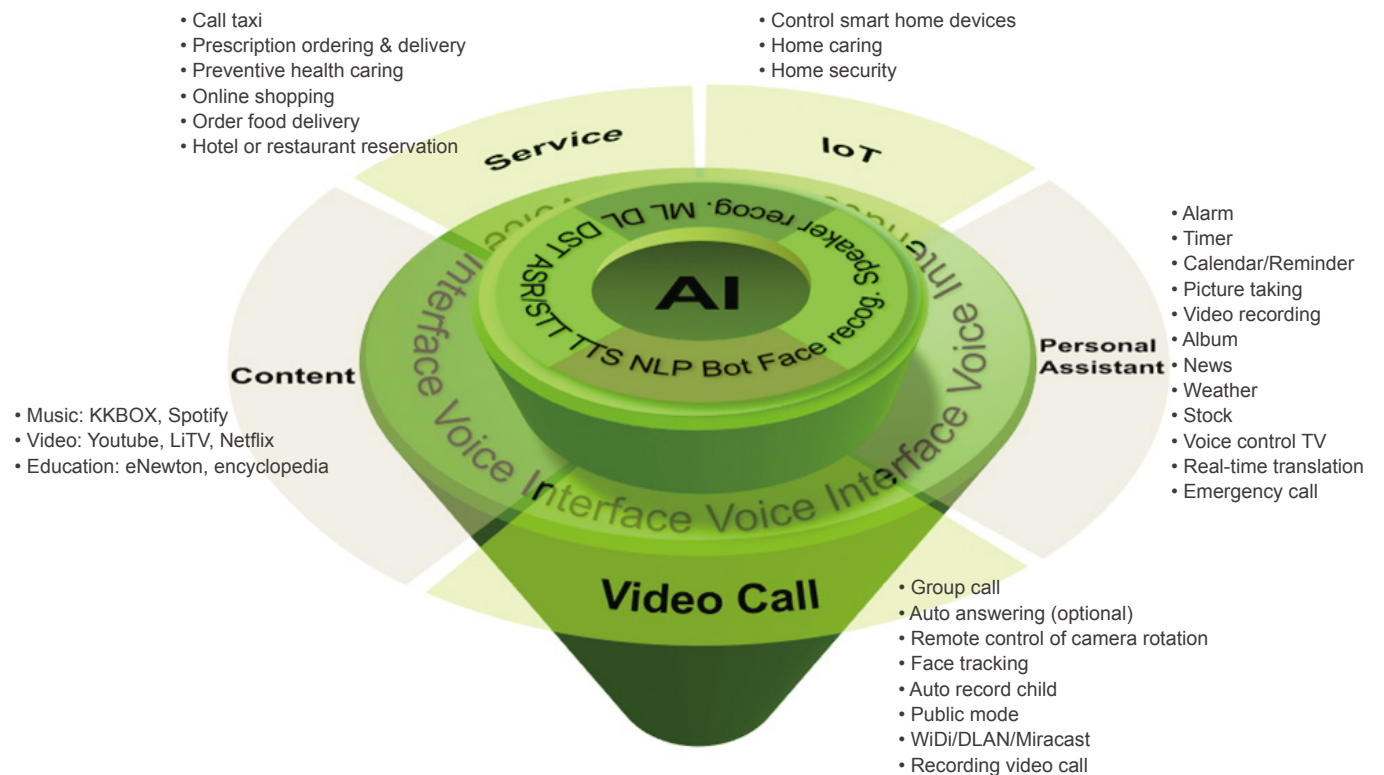
You can talk to AfoBot just like talking with your friends and family. AfoBot provides hands-free voice control, and enables you to launch programs, commands and actions via voice commands - you can ask or command AfoBot for information and get results or responses instantly.

- Voice and video call
- Auto answer calls from AfoTalk (iOS, Android) or other AfoBot.
- Conference recording
- Supports single or multiple peer calls
- On-line/Off-line voice recognition
- Echo cancelling, noise reduction, auto gain control
- 360° omni-directional audio





The Value of Software & Hardware Integration with AfoBot



AfoBot

8" TFT LCD with 1280 x 800 Full HD



Features

- 8" 16:10 IPS TFT LCD (1280x800)
- 8-core Cortex-A53 1.5GHz
- 32GB eMMC flash on-board
- 5-megapixel camera, 2592×1944@15fps, F2.2, FF, FOV 103.5° 1/4" OV5640 image sensor
- IEEE 802.11 a/b/g/n; 2x2 802.11n, Bluetooth 4.0
- 5200 mAh Li-ion battery (2 x 18650 3600mAh)
- Android 6.0



Specifications

Model	AfoBot
Display	8" TFT LCD with 1280 x 800 Full HD
Processor	8-core Cortex-A53 SoC
Touch Screen	Projected capacitive touch screen with 10-point multi-touch
Memory	On-board 2 GB LPDDR3
Video Codec	4K*2K H.264/H.265, 4K*2K@60Hz
Storage	On-board 32GB eMMC 1 x microSD card slot
Wireless Connectivity	Wi-Fi 802.11 a/b/g/n dual band Wi-Fi Direct for Miracast Bluetooth 4.0, BLE support Wi-Fi access point
Power Adapter	AC Input: 100-240V AC, 50/60Hz DC Output: 12V 2.5A
Motion	Body: 360° horizontal pan (motorized) Camera: 100° tilt (motorized) Panel: 33° tilt (manual)
I/O Interface	1 x USB2.0 Type C 1 x USB2.0 Type A 1 x GbE LAN
Camera	5-megapixel camera, F2.2, FOV103°
Audio	2 x Digital microphone 5W 4Ω stereo reflective speaker Echo cancelling, noise reduction and auto gain control
Operating System	Host: Android 6.0 Client APP: Android / iOS
Color	Pantone White and pantone 312C
Size	271 mm x 213 mm x 136 mm
Weight	1730g
Certificate	CE, FCC Class B and BSMI
Battery	Lithium Ion; 5200mAh; 3.7V; battery run time: 5 hrs

Ordering Information

Part No.	Description
AfoBot-F08A-AD6-TW-R21	8" Assistant Robot with 8-core Cortex-A53 SoC, Wi-Fi 802.11 a/b/g/n ,BT 4.0, 5MP webcam, PCAP touch, on-board 32GB eMMC,Android 6.0, Conexant CX20921, Wifi code: TW, R21
AfoBot-F08A-AD6-BAT-TW-R21	8" Assistant Robot with 8-core Cortex-A53 SoC, Wi-Fi 802.11 a/b/g/n ,BT 4.0, 5MP webcam, PCAP touch, on-board 32GB eMMC,Android 6.0, 5200AH 1S2P Li-ion battery, Conexant CX20921, Wifi code: TW, R21
AfoBot-F08A-AD6-EU-R21	8" Assistant Robot with 8-core Cortex-A53 SoC, Wi-Fi 802.11 a/b/g/n ,BT 4.0, 5MP webcam, PCAP touch, on-board 32GB eMMC,Android 6.0, Conexant CX20921, Wifi code: EU, R21
AfoBot-F08A-AD6-BAT-EU-R21	8" Assistant Robot with 8-core Cortex-A53 SoC, Wi-Fi 802.11 a/b/g/n ,BT 4.0, 5MP webcam, PCAP touch, on-board 32GB eMMC,Android 6.0, 5200AH 1S2P Li-ion battery, Conexant CX20921, Wifi code: EU, R21

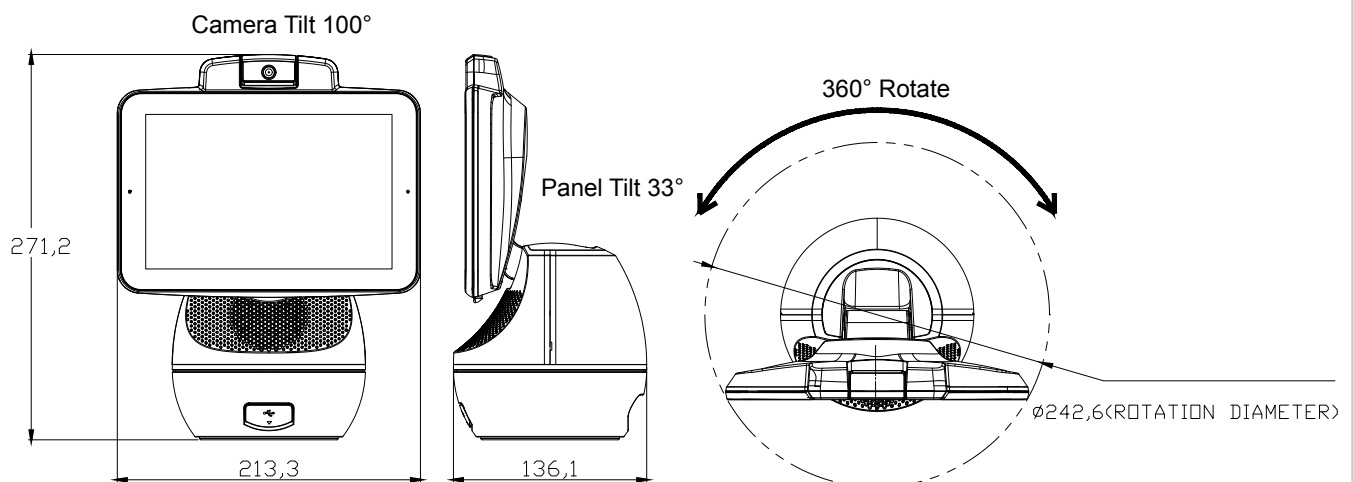
Options

Item	Description
33502-000394-RS	EU power plug
33502-000393-RS	US power plug
33502-000392-RS	UK power plug

Packing List

Item	Q'ty
QIG	1
Power adapter	1

AfoBot Dimensions (Unit: mm)



X-ON Electronics

Largest Supplier of Electrical and Electronic Components

Click to view similar products for [Panel PCs category](#):

Click to view products by [IEI manufacturer](#):

Other Similar products are found below :

[GOT-5100T-832](#) [GOT-3126T-832](#) [BYARM-W071-PC](#) [STC-15WR-E3950,4G,64GB M.2](#) [STC-15WP-E3950,4G,64GB M.2](#) [POC-W152-C11D-ACE](#) [PWS-770-VMOUNT00E](#) [PWS-870-CHDC00E](#) [PWS-870-UCOVER00E](#) [TREK-572-LWB7B0E](#) [ESRP-HMI-TPC1551](#) [ESRP-HMI-TPC1251](#) [ESRP-HMI-TPCB200](#) [BYARM-181-PC](#) [BYTEM-121-PC](#) [IDOOH-210-IR](#) [AFL3-W15A-BT-J1/PC/2G-R13](#) [IOVU-07F-AD-WBC-R10](#) [003002400100](#) [1050387](#) [SPTM20XP](#) [XPTB10X](#) [UTC-W101BF-ABI0E](#) [UTC-W101B-ABI0E](#) [UTC-W101B-AWI0E](#) [UTC-532C-GE](#) [UTC-532A-GE](#) [UTC-520A-PE](#) [UTC-520A-GE](#) [TREK-722R-A1E](#) [TREK-570-00A0E](#) [PWS-870-7S6G4P5F0E](#) [PPC-174T-WL-MTE](#)
[110070048](#)