

# BP Series Backplane

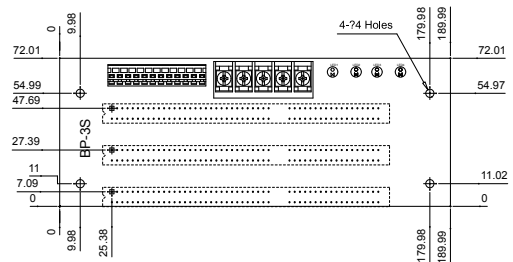
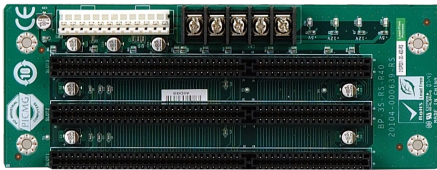
## Selection Guide

PAC series wall-mount chassis     4U rack-mount chassis



Model	BP-3S-RS-R40	BP-4S-RS-R40	BP-5S-RS-R40	BP-6S-RS-R40	BP-7S-RS-R40	BP-8S-RS-R41	BP-10S-RS-R40
Total Slot	3	4	5	6	7	8	10
ISA Slot	3	4	5	6	7	8	10
PSU Type	AT	AT	AT	AT	AT	AT	AT
Chassis	PAC-53GH	PAC-400G PAC-42GH	PR-1500G	PAC-106G PAC-1000G	PAC-700G PAC-1700G	N/A	PAC-125G

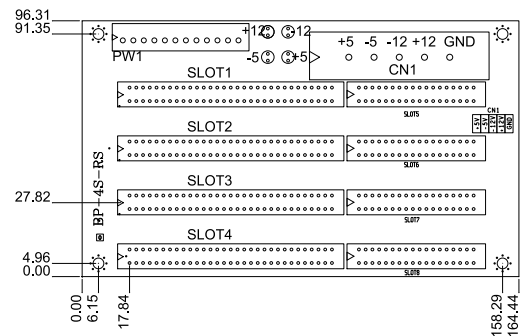
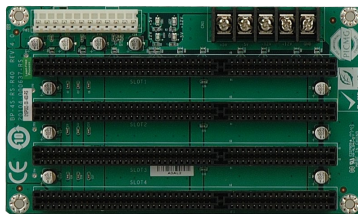
### BP-3S-RS-R40



#### Ordering Information

- BP-3S-RS-R40 3-slot backplane with three ISA slots
- PAC-53GH 3-slot half-size compact chassis

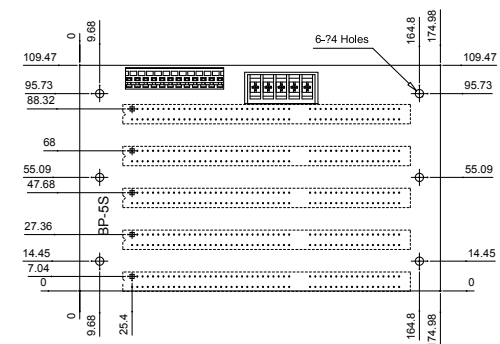
### BP-4S-RS-R40



#### Ordering Information

- BP-4S-RS-R40 4-slot backplane with four ISA slots
- PAC-400G 4-slot half-size compact chassis
- PAC-42GH 4-slot half-size compact chassis

### BP-5S-RS-R40



#### Ordering Information

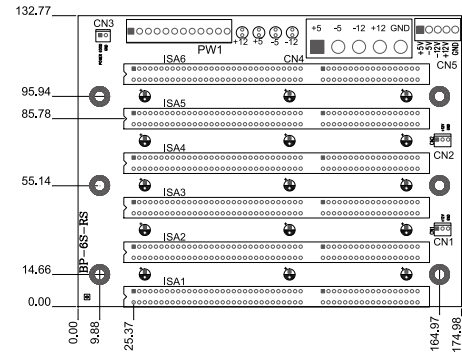
- BP-5S-RS-R40 5-slot backplane with five ISA slots
- PR-1500G 5-slot half-size compact chassis

## BP-6S-RS-R40



### Ordering Information

BP-6S-RS-R40	6-slot backplane with six ISA slots
PAC-106G	6-slot full-size compact chassis
PAC-1000G	6-slot full-size compact chassis

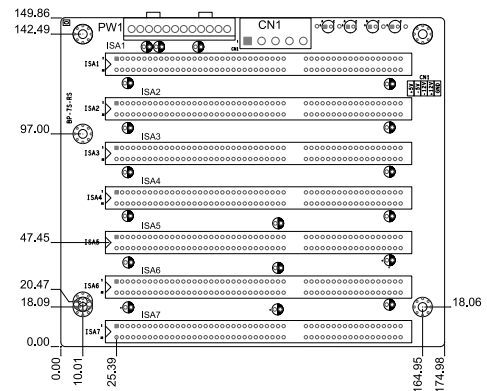


## BP-7S-RS-R40

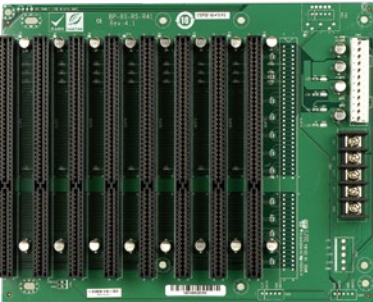


### Ordering Information

BP-7S-RS-R40	7-slot backplane with seven ISA slots
PAC-700G	7-slot half-size compact chassis
PAC-1700G	7-slot full-size compact chassis

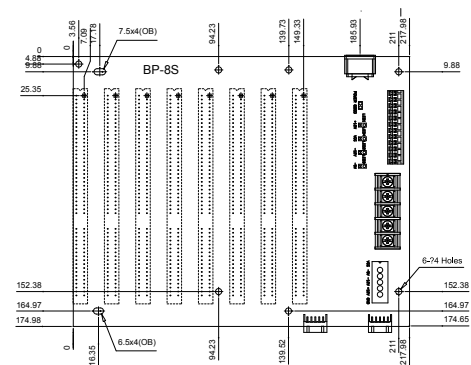


## BP-8S-RS-R41

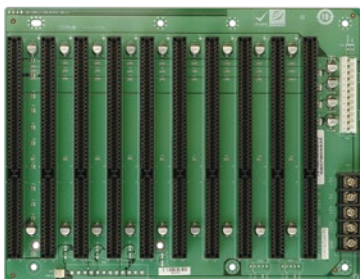


### Ordering Information

BP-8S-RS-R41	8-slot backplane with eight ISA slots
--------------	---------------------------------------

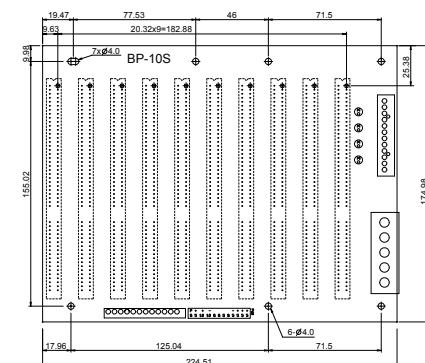


## BP-10S-RS-R40



### Ordering Information

BP-10S-RS-R40	10-slot backplane with ten ISA slots
PAC-125G	10-slot full-size compact chassis



## X-ON Electronics

Largest Supplier of Electrical and Electronic Components

*Click to view similar products for [Interface Modules](#) category:*

*Click to view products by [IEI](#) manufacturer:*

Other Similar products are found below :

[FAB118](#) [FAB100](#) [cPCI-3544](#) [60003-002](#) [FC6A-EXM2](#) [FC6A-PC3](#) [60016-023](#) [HPCI-14S12U](#) [cBP-3208](#) [PCE-DP10-00A1E](#) [60016-024](#)  
[60016-022](#) [60016-005](#) [60016-002](#) [60006-004](#) [GW DEVICE SERVER 2E/4DB9](#) [K6CMISZBI52](#) [60011-093](#) [BB-FOSTCDRI](#) [U360-004-](#)  
[SLIM](#) [U360-004-R](#) [U442-DOCK4-S](#) [112095-5118](#) [1020882](#) [1021056](#) [1021058](#) [1021080](#) [73-544-002](#) [00-00347](#) [UC-313](#) [UC-357](#)  
[485LDRC9](#) [485OPDRI](#) [485SD9R](#) [U442-DOCK1](#) [UH104](#) [US-257](#) [VESP211-232](#) [422LP9R](#) [422PP9R](#) [422PP9TB](#) [4850PDRHS](#) [US-279](#)  
[HW-FMC-XM105-G](#) [HP-USB-14](#) [UHR304](#) [2316379](#) [2316382](#) [B126-1A1](#) [2465](#)