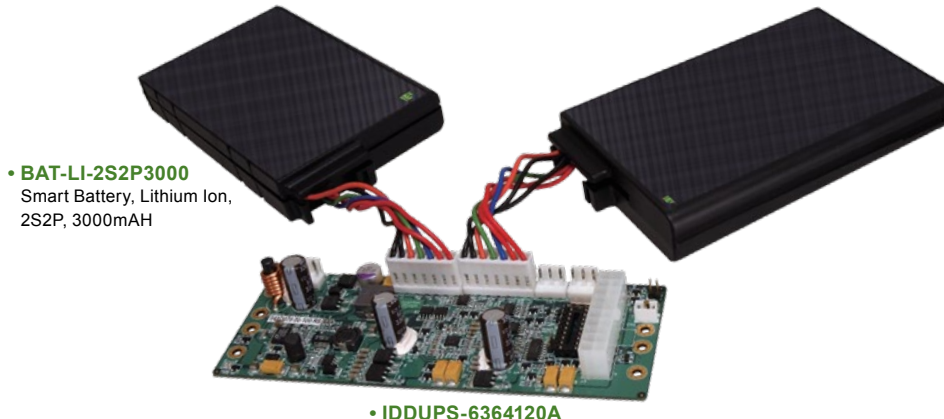


IDDUPS-6364120A

120 W DC Converter Module, with UPS



• **BAT-LI-2S2P3000**
Smart Battery, Lithium Ion,
2S2P, 3000mAh

• **BAT-LI-2S2P3000**
Smart Battery, Lithium Ion,
2S2P, 3000mAh

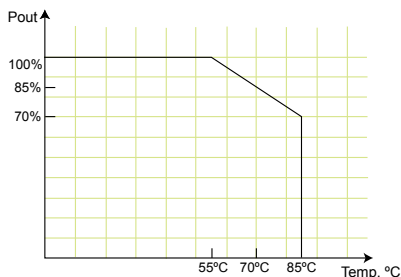
• **IDDUPS-6364120A**

Features

1. Load down protection
2. Over voltage protection
3. Short circuit protection
4. Over current protection
5. Smart battery charger for Lithium Ion
6. I/O interface: SMBus/I2C & RS-232
7. Support up to two battery packs
8. AT/ATX modes
9. Utility program: pull data out through RS-232 to system

Specifications

- Output: Voltage (max load)
» **IDDUPS-6364120A:**
5 V@10 A, 12 V@4 A, -12 V@0.3 A, 3.3 V@8 A & 5 VSB@2 A
- Max. total output:
IDDUPS-6364120A: 120 W
- Input: 6 VDC to 36 VDC
- Battery charge voltage: 12 V ~ 36 V
- Efficiency: up to 90%
- Dimensions: 60 mm x 160 mm
- Weight (NW):
IDDUPS-6364120A: 98 g
- Operating temperature: -20°C ~ 85°C (without smart battery)
Operating temperature: -10°C ~ 60°C (with smart battery)
- Storage temperature: -25°C ~ 90°C



Applications



Battery backup system

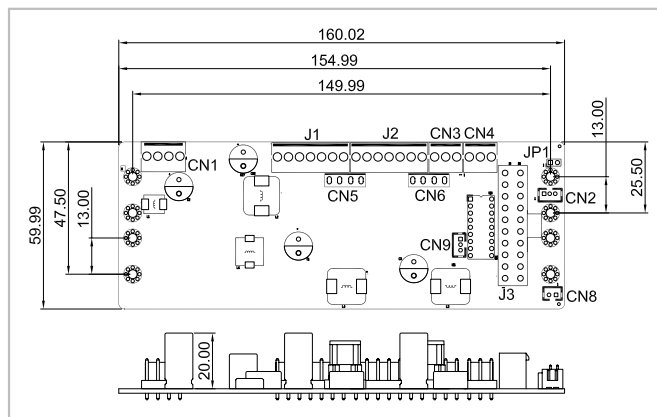


Portable equipment



Power sensitive equipment

Dimensions (Unit: mm)



Packing Information

1 x IDDUPS-6364120A	
1 x DB-9 pin connector cable (32100-157200-RS)	
1 x CD utility software	1 x QIG

Ordering Information

Part No.	Description
IDDUPS-6364120A-R12	120 W ATX DC/DC 6-36 VDC input, 12 V, 5 V, 3.3 V, -12 V and 5 VSB power module with UPS
BAT-LI-2S2P3000-R10	Smart Battery, Lithium Ion, 2S2P, 3000 mAh
CB-5PSBC-RS	20 cm cable to SBC power input
CB-JST3PSW-RS	30 cm cable on/off switch
CB-JST3P001-RS	30 cm 5 VSB, PS_ON wire to SBC
CB-3PSATA-RS	10 cm cable for SATA power
CB-3PIDE-RS	10 cm cable for IDE HDD power
CB-P1LP4-RS	20 cm cable for FSP0601AD101C 60 W/ UP0451E12P 45 W/ UP0251E12PL 25 W AC-DC adapter
CB-MD4P4-RS	16 cm cable for 63000-FSP120AAB-RS 120 W AC-DC adapter
CB-NOLP4-RS	20 cm cable for terminal block DC input
CB-ATX20P-RS	30 cm 20-pin ATX to 20-pin ATX cable

High Energy Density, Light Weight and Compact DC/DC UPS & Power Module

Protect your precious equipment from damage. Reduce the risk of losing valuable data.

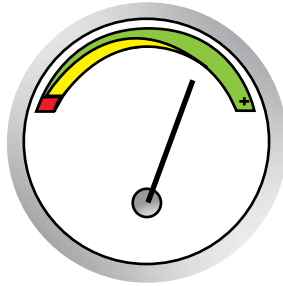
An uninterruptible power supply provides emergency backup power when the main power is lost.

Benefit:

- Provides power for a certain amount of time after a power failure has occurred.
- Provides stable power to equipment during line sags and spikes.
- Absorbs power surges & transients.
- Smooths out noisy power sources.

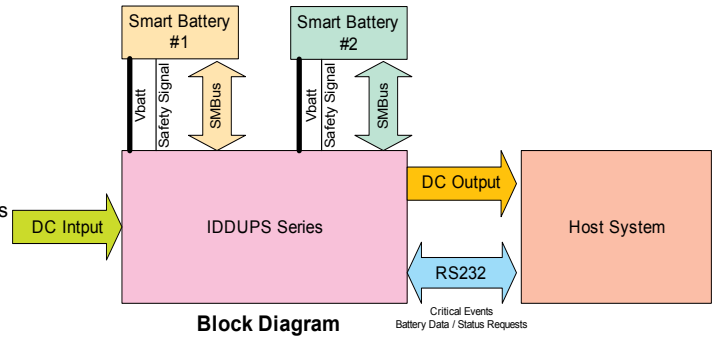
The utility software displays the following information:

- Current power source.
- Battery status.
- Charging status.
- Percentage remaining



Battery Capacity Status

Level 2 Smart Battery Charger & Power Modules



Battery Pack: Part # BAT-LI-2S2P3000



Battery Type	Lithium Ion			
Pout (W)	100	80	60	40
Time (min)	8	14	18	27
Dimensions	148 x 89 x 20 mm			
Capacity	3000 mAH			

Pin Assignments

Input Power Connector

CN1	Pin 1	Pin 2	Pin 3	Pin 4
	VIN	VIN	GND	GND

ATX Mode Connector

CN2	Pin 1	Pin 2	Pin 3
	5 VSB	GND	PS_ON

Output Power Connector

CN3 CN4	Pin 1	Pin 2	Pin 3
	+5 V	GND	+12 V

Battery Connector

J1 J2	Pin1	Pin 2	Pin 3	Pin 4	Pin 5	Pin 6	Pin 7
	BAT+	BAT+	Clock	Data	Temp	GND	GND

For IDDUPS-6364120A

J3	Standard 20-pin ATX
----	---------------------

Wire Harness Selection Guide

DC Input



Options 1.
PN: CB-P1LP4-RS
 Cable for FSP0601AD101C 60 W/ UP0451E12P 45 W/UP0251E12PL 25 W AC-DC adapter



Options 2.
PN: CB-MD4P4-RS
 Cable for 63000-FSP120AAB-RS 120 W AC-DC adapter



Options 3.
PN: CB-NOLP4-RS
 Cable for terminal block

SBC Main Power



Options 1.
PN: CB-ATX20P-RS
 20-pin ATX to 20-pin ATX cable

I/O Power



Options 1.
PN: CB-3PSATA-RS
 Cable for SATA



Options 2.
PN: CB-3PIDE-RS
 Cable for IDE HDD or any STD 4-pin I/O devices

Power On/Off



Options 1.
PN: CB-JST3PSW-RS
 Cable with on/off switch



Options 2.
PN: CB-JST3P001-RS
 Cable to SBC (5 VSB & PS_ON)

X-ON Electronics

Largest Supplier of Electrical and Electronic Components

Click to view similar products for [Specialised Cables category](#):

Click to view products by [IEI manufacturer](#):

Other Similar products are found below :

[603PT6](#) [603SS6L](#) [604PT6](#) [604SS6](#) [706000D02F200](#) [910640](#) [1200740077](#) [1200740114](#) [AC172](#) [ACL-SSI-4](#) [R88ACAKA0015SRE](#)
[R88ACAWL005SDE](#) [R88ACRGD0R3C](#) [1300150047](#) [1300660036](#) [1302262116](#) [1300150149](#) [1300220020](#) [1300220104](#) [1300220119](#)
[1301240492](#) [1301810221](#) [1365323-1](#) [1613055](#) [176P12](#) [1971465-2](#) [20240400003](#) [20240400013](#) [2085828-1](#) [20886510030](#) [2-22733-8](#) [22733-](#)
[8](#) [CB-5PSBC-RS](#) [CB-704EC-RS](#) [CB-BATACC-RS](#) [CB-JST3PSW-RS](#) [CB-M12COM-R10](#) [25AC84](#) [25AK84X](#) [25AU25](#) [25FN82](#) [3011-03](#)
[AC118](#) [ACL-HHS-1M\(CAT5E\)](#) [SSL009PC2DC012N](#) [FC2A-KC6C](#) [2085828-2](#) [20886510150](#) [CCS-FCB-5](#) [CCSFCBF2](#)