

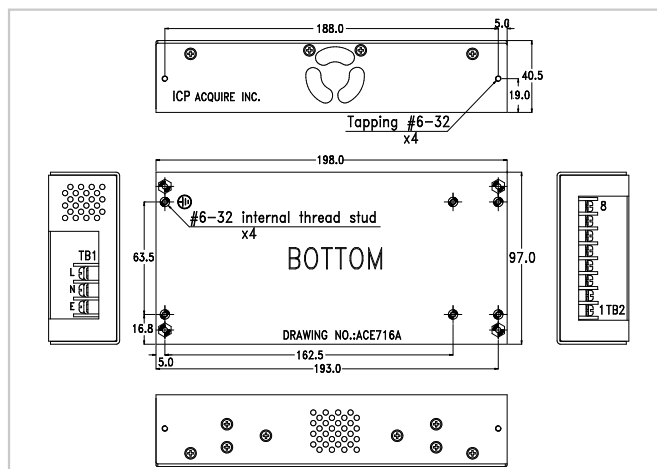
ACE-716C

150 W 24V DC input AT Power Supply



Input Type	19 ~ 30 VDC				
Output Voltage	+5 V	+12 V	-5 V	-12 V	+24 V
	18 A (2 A min)	4 A	0.5 A	1 A	
Efficiency	70%				
Temperature	Operating : -20°C ~ 70°C (50°C ~ 70°C derating curve) Storage : -20°C ~ 85°C				
MTBF(hrs)	210,000				
Output Connector	Optional Cable				
Dimensions	198 x 97 x 40.5 mm				

Dimensions



Output terminal block connectors

Pin 1, 2	Pin 3, 4	Pin 5	Pin 6	Pin7	Pin8
5 V	GND	-5 V	-12 V	GND	+12 V

Ordering Information

Part No.	Description
ACE-716C-RS	150 W 24 V DC input AT Power Supply

Optional 1	Embedded Solution	Optional 2	ATX Backplane Solution	Optional 3	AT P8P9 Backplane Solution
	PN: CB-716EB-RS 30 cm DC cable to CPU card with 4-pin 12 V CPU, HDD and SATA connectors		PN: CB-716BP-RS 30 cm DC cable to backplane with 20-pin ATX, HDD, SATA and HDD connectors		PN: CB-716P8P9-RS 30 cm DC cable AT power to P8P9 with HDD and SATA connectors

2U AC Input ATX Type

ACE-4530AP

300 W 2U ATX Power Supply



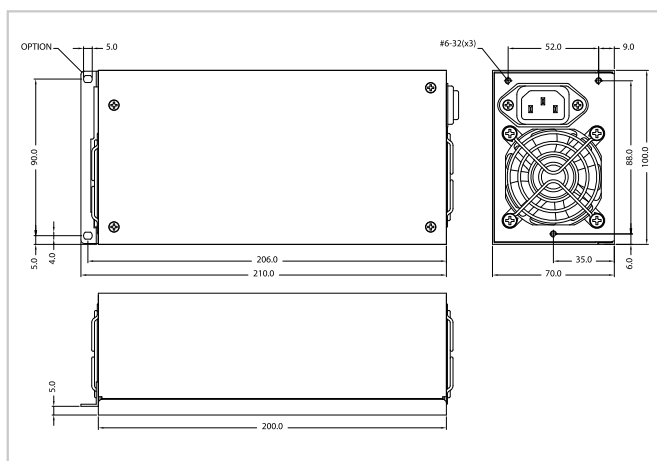
Best solution for the RACK-1350G ATX 2.0 standard w/ new 20+4 Meets ATX revision 2.0, with 20+4-pin ATX power and SATA connector



Specifications

Input Type	90 ~ 264 VAC Full Range					
Output	+5 V	+12 V	-12 V	-5 V	+3.3 V	+5 Vsb
	35 A	16 A	1 A	0.5 A	20 A	2 A
Efficiency	63%					
Temperature	Operating : 0°C ~ 50°C, Storage : -20°C ~ 80°C					
Output Connector	1 x 20+4-pin ATX 4 x HDD 2 x SATA		1 x 4-pin 12 V CPU 2 x FDD 1 x 5 V (P10)			
Dimensions	200 x 100 x 70 mm					

Dimensions



Ordering Information

Part No.	Description
ACE-4530AP-RS	300 2U AC-DC ATX Power Supply, with PFC

X-ON Electronics

Largest Supplier of Electrical and Electronic Components

Click to view similar products for [Computer Cables](#) category:

Click to view products by [IEI](#) manufacturer:

Other Similar products are found below :

[68809-0004](#) [8F36-AAA105-1.00](#) [IB63](#) [CB-716EB-RS](#) [CB-716P8P9-RS](#) [CBK-11-290K-00](#) [ACL-10550](#) [ACL-10568-2](#) [ACL-10568-5](#)
[427522400-3](#) [32102-021500-200-RS](#) [426091300-3](#) [48000023](#) [10114976-P015002LF](#) [10111838-S444ALF](#) [88761-6101](#) [NT631C-CN321-EU](#)
[ACL-10568NF-1](#) [MIKROE-2092](#) [PCL-101100R-2E](#) [1700009405](#) [PS/2 Cable](#) [NT31C-CN323-EU](#) [PCL-10168H-1E](#) [68801-1905](#) [111068-](#)
[1015](#) [100436-1107](#) [68801-0630](#) [68801-3612](#) [68801-3618](#) [205058-1002](#) [PS2NK](#) [SATA cable](#) [96021-0000-00-0](#) [FAK-SMZSMZ 5M](#) [FAK-](#)
[SMZSMZ-3M](#) [ACC-500-200-R](#) [iW-C40-PCIe08-C1](#) [1700001531](#) [96048-0000-00-0](#) [96054-0000-00-0](#) [SATA III cable 30cm, down/straight](#)
[cab-Pico-ITX-LVDS](#) [PCL-101100SB-2E](#) [AXXSTCBLQAT](#) [NT31C-KBA05](#) [A2U4PSWCXCXK1](#) [2 port SATA to 5 pin,L=200mm](#) [P782-](#)
[006-DH](#) [ACL-10568NF-2](#)