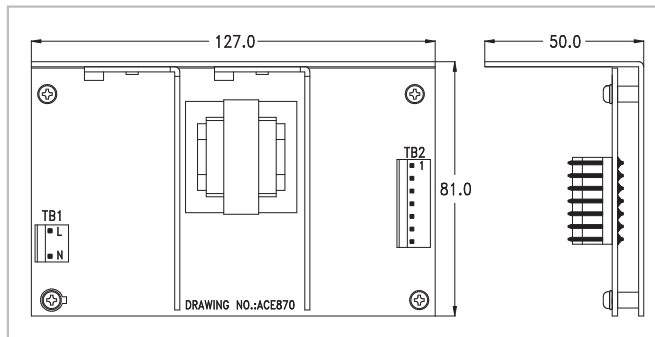


ACE-870C DC Input Open Frame



Input Type	18 ~ 36 VDC				
Input Frequency	47~63Hz				
Input Current	6A @+24VDC				
Inrush Current	20A @+24CDC				
Output Voltage	+5 V	+12 V	-5 V	-12 V	+24 V
	7 A	2.5 A	0.3 A	0.5 A	
Efficiency	70%				
Temperature	0°C ~ 50°C (Operating), -20°C ~ 85°C (Storage)				
MTBF (hrs)	276,000				
Output Connector	Optional Cable				
Dimensions	127 x 81 x 50 (mm)				

Dimensions (Unit: mm)

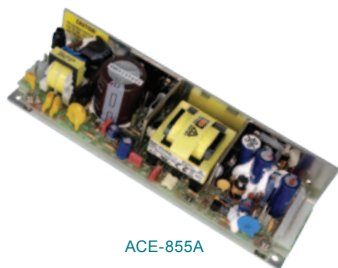


Ordering Information

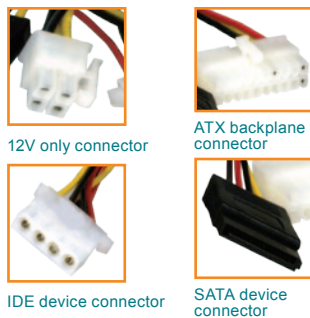
Part No.	Description
ACE-870C-RS	70W 24V DC Input Open Frame AT Power Supply

Option 1	Embedded Solution	Option 2	AT P8P9 Backplane Solution
	PN: CB-870EB-RS 30 cm DC cable to CPU card, with 20-pin ATX, HDD and SATA connectors		PN: CB-870P8P9-RS 30 cm DC cable to backplane, with 20-pin ATX, HDD and SATA connectors

ACE-855A/855C DC Input Open Frame

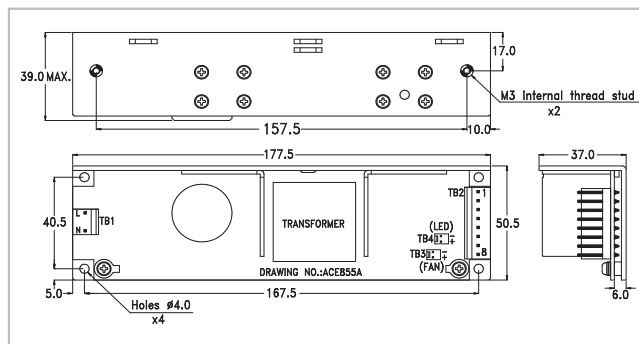


ACE-855A



Input Type	85 ~ 264 VAC Full Range (ACE-855A), 16 ~ 32VDC (ACE-855C)				
Output Voltage	+5 V	+12 V	-5 V	-12 V	+24 V
	8 A	1.2A			
ACE-855A	8 A	1.2A			
ACE-845V	6 A	1.1 A			
ACE-855C	8 A	1.2 A			
Efficiency	70%				
Temperature	0°C ~ 60°C (Operating), -20°C ~ 85°C (Storage)				
MTBF (hrs)	335,000 (ACE-855A), 358,000 (ACE-855C)				
Output Connector	Optional Cable				
Dimensions	177.5 x 50.5 x 37 (mm)				

Dimensions (Unit: mm)



Option 1	AC Input Solution
	PN: CB-855EC-RS 20 cm AC input cable with fuse
Option 2	Embedded Solution
	PN: CB-855EB-RS 30 cm DC cable to CPU card, with 20-pin ATX, HDD and SATA connectors
Option 3	AT P8P9 Backplane Solution
	PN: CB-855P8P9-RS 30 cm DC cable AT power to P8P9, HDD and SATA connectors

Ordering Information

Part No.	Description
ACE-855A-RS	55W AC-DC Open Frame AT Power Supply
ACE-855C-RS	55W 24V DC Input Open Frame AT Power Supply

X-ON Electronics

Largest Supplier of Electrical and Electronic Components

Click to view similar products for [Computer Cables](#) category:

Click to view products by [IEI](#) manufacturer:

Other Similar products are found below :

[68809-0004](#) [8F36-AAA105-1.00](#) [IB63](#) [CB-716EB-RS](#) [CB-716P8P9-RS](#) [CBK-11-290K-00](#) [ACL-10550](#) [ACL-10568-2](#) [ACL-10568-5](#)
[427522400-3](#) [32102-021500-200-RS](#) [426091300-3](#) [48000023](#) [10114976-P015002LF](#) [10111838-S444ALF](#) [88761-6101](#) [NT631C-CN321-EU](#)
[ACL-10568NF-1](#) [MIKROE-2092](#) [PCL-101100R-2E](#) [1700009405](#) [PS/2 Cable](#) [NT31C-CN323-EU](#) [PCL-10168H-1E](#) [68801-1905](#) [111068-](#)
[1015](#) [100436-1107](#) [68801-0630](#) [68801-3612](#) [68801-3618](#) [205058-1002](#) [PS2NK](#) [SATA cable](#) [96021-0000-00-0](#) [FAK-SMZSMZ 5M](#) [FAK-](#)
[SMZSMZ-3M](#) [ACC-500-200-R](#) [iW-C40-PCIe08-C1](#) [1700001531](#) [96048-0000-00-0](#) [96054-0000-00-0](#) [SATA III cable 30cm, down/straight](#)
[cab-Pico-ITX-LVDS](#) [PCL-101100SB-2E](#) [AXXSTCBLQAT](#) [NT31C-KBA05](#) [A2U4PSWCXCXK1](#) [2 port SATA to 5 pin,L=200mm](#) [P782-](#)
[006-DH](#) [ACL-10568NF-2](#)