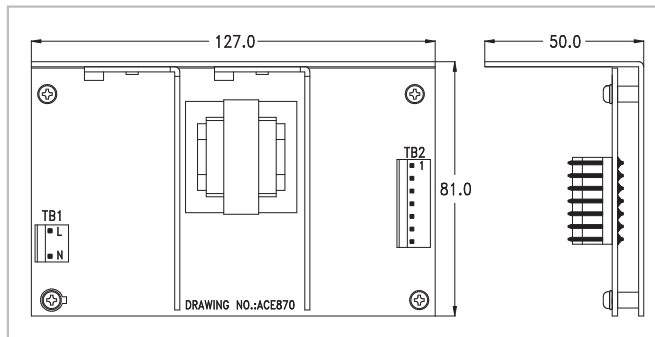


ACE-870C DC Input Open Frame



Input Type	18 ~ 36 VDC				
Input Frequency	47~63Hz				
Input Current	6A @+24VDC				
Inrush Current	20A @+24CDC				
Output Voltage	+5 V	+12 V	-5 V	-12 V	+24 V
	7 A	2.5 A	0.3 A	0.5 A	
Efficiency	70%				
Temperature	0°C ~ 50°C (Operating), -20°C ~ 85°C (Storage)				
MTBF (hrs)	276,000				
Output Connector	Optional Cable				
Dimensions	127 x 81 x 50 (mm)				

Dimensions (Unit: mm)

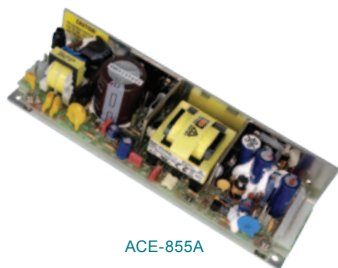


Ordering Information

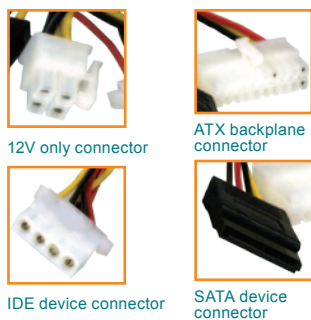
Part No.	Description
ACE-870C-RS	70W 24V DC Input Open Frame AT Power Supply

Option 1	Embedded Solution	Option 2	AT P8P9 Backplane Solution
	PN: CB-870EB-RS 30 cm DC cable to CPU card, with 20-pin ATX, HDD and SATA connectors		PN: CB-870P8P9-RS 30 cm DC cable to backplane, with 20-pin ATX, HDD and SATA connectors

ACE-855A/855C DC Input Open Frame

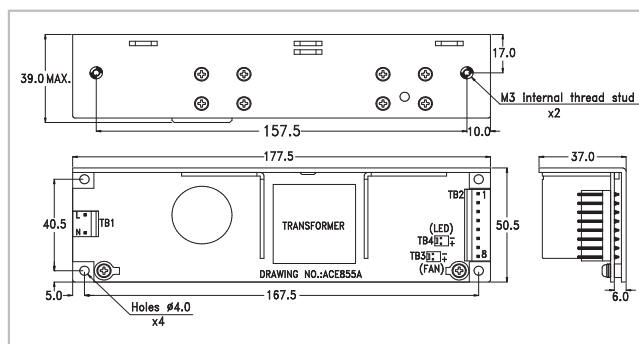


ACE-855A



Input Type	85 ~ 264 VAC Full Range (ACE-855A), 16 ~ 32VDC (ACE-855C)				
Output Voltage	+5 V	+12 V	-5 V	-12 V	+24 V
	8 A	1.2A			
ACE-855A	8 A	1.2A			
ACE-845V	6 A	1.1 A			
ACE-855C	8 A	1.2 A			
Efficiency	70%				
Temperature	0°C ~ 60°C (Operating), -20°C ~ 85°C (Storage)				
MTBF (hrs)	335,000 (ACE-855A), 358,000 (ACE-855C)				
Output Connector	Optional Cable				
Dimensions	177.5 x 50.5 x 37 (mm)				

Dimensions (Unit: mm)



Option 1	AC Input Solution
	PN: CB-855EC-RS 20 cm AC input cable with fuse
Option 2	Embedded Solution
	PN: CB-855EB-RS 30 cm DC cable to CPU card, with 20-pin ATX, HDD and SATA connectors
Option 3	AT P8P9 Backplane Solution
	PN: CB-855P8P9-RS 30 cm DC cable AT power to P8P9, HDD and SATA connectors

Ordering Information

Part No.	Description
ACE-855A-RS	55W AC-DC Open Frame AT Power Supply
ACE-855C-RS	55W 24V DC Input Open Frame AT Power Supply

X-ON Electronics

Largest Supplier of Electrical and Electronic Components

Click to view similar products for [Specialised Cables category](#):

Click to view products by [IEI manufacturer](#):

Other Similar products are found below :

[603PT6](#) [603SS6L](#) [604PT6](#) [604SS6](#) [706000D02F200](#) [910640](#) [1200740077](#) [1200740114](#) [AC172](#) [ACL-SSI-4](#) [R88ACAKA0015SRE](#)
[R88ACAWL005SDE](#) [R88ACRGD0R3C](#) [1300150047](#) [1300660036](#) [1302262116](#) [1300150149](#) [1300220020](#) [1300220104](#) [1300220119](#)
[1301240492](#) [1301810221](#) [1365323-1](#) [1613055](#) [176P12](#) [1971465-2](#) [20240400003](#) [20240400013](#) [2085828-1](#) [20886510030](#) [2-22733-8](#) [22733-](#)
[8](#) [CB-704EC-RS](#) [CB-BATACC-RS](#) [CB-JST3PSW-RS](#) [CB-M12COM-R10](#) [25AC84](#) [25AK84X](#) [25AU25](#) [25FN82](#) [3011-03](#) [AC118](#) [ACL-](#)
[HHS-1M\(CAT5E\)](#) [SSL009PC2DC012N](#) [FC2A-KC6C](#) [2085828-2](#) [20886510150](#) [CCS-FCB-5](#) [CCSFCBF2](#) [R88A-CRWB020N](#)