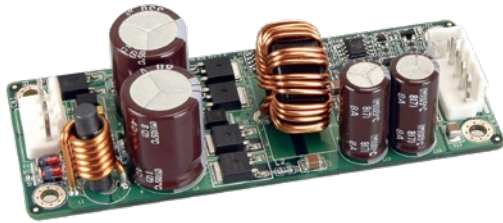


IDD-241100

100 W DC/DC Converter Module

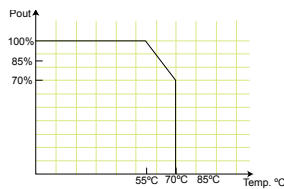


Features

1. 100W total power
2. AT mode on/off
3. Up to 90% efficiency
4. RoHS compliant
5. Compact size

Specifications

- Output (max.): 12 V@8.33 A
- Max. total output: 100 W
- Input: 24 VDC
- Performance characteristics
Noise & ripple: <240 mV
Load regulation: <240 mV
Efficiency: Up to 90%
- Dimensions (mm): 40 x 100
- Weight (NW): 60 g
- Operating temperature: -20°C ~ 70°C



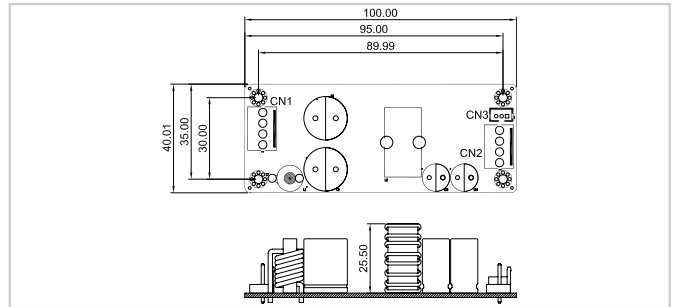
Wire Harness Selection Guide

DC Input (CN1)



PN: **CB-NOLP4-RS**
Cable for terminal block

Dimensions (Unit: mm)



Packing Information

1 x IDD-241100 1 x QIG

Ordering Information

Part No.	Description
IDD-241100-R10	100 W DC/DC 24 V input, 12 V output with 100W total power
CB-NOLP4-RS	20 cm cable for terminal block DC input

Pin Assignments

Input Power Connector

CN1	Pin 1	Pin 2	Pin 3	Pin 4
	VIN	VIN	GND	GND

Output Power Connector

CN2	Pin 1	Pin 2	Pin 3	Pin 4
	+12 V	+12V	GND	GND

Power on/off, LED Connector

CN3	Pin 1	Pin 2	Pin 3
	SHDN# (Shut down output power function, short Pin1 & Pin2)	GND	LEDA (Disable LED function, short Pin2 & Pin3)

IDD-936160

60 W DC/DC Converter Module



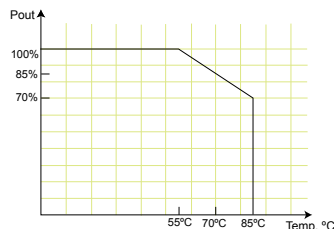
IDD-936160 60W DC/DC Converter Module is a high performance buck-boost switching regulator power module. The constant frequency current mode architecture allows a phaselockable frequency of up to 400 kHz. With a wide 9V to 36V input and 12V output and seamless transfers between operating modes, the IDD-936160 is ideal for embedded systems with limited space.

Features

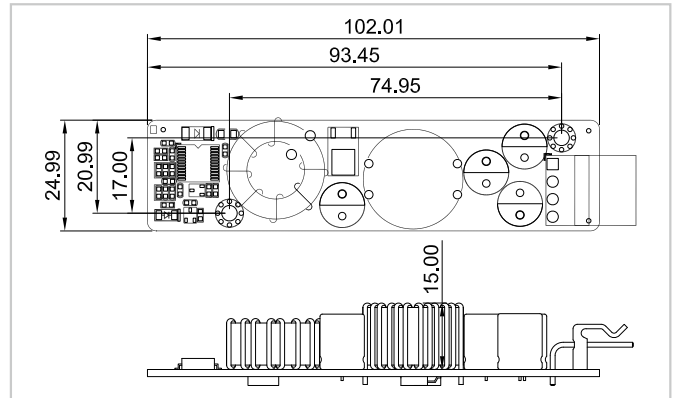
1. Wide input range: 9-36 VDC
2. 12 VDC output up to 5 Amp
3. Compact size
4. Efficiency up to 95%
5. RoHS compliant

Specifications

- Output (max.): 12 V@5 A
- Max. total output: 60 W
- Input: 9 VDC to 36 VDC
- Performance characteristics
Noise & ripple: <300 mV
Line regulation: <300 mV
Load regulation: <85 mV
Efficiency up to 95%
- Dimensions (mm): 82 x 25
- Weight (NW): 28 g
- Operating temperature: -40°C ~ 85°C



Dimensions (Unit: mm)



Pin Assignments

Input/Output Connector

VOUT1	Pin1	Pin2	Pin3
	+12 V Output	GND	Vin



P/N: 32102-015700-100-RS

Packing Information

1 x IDD-936160 1 x QIG
1 x 300 mm wire cable (P/N: 32102-015700-100-RS)

Ordering Information

Part No.	Description
IDD-936160-R20	60 W DC/DC 9~36 V input, 12 V output

X-ON Electronics

Largest Supplier of Electrical and Electronic Components

Click to view similar products for [Isolated DC/DC Converters](#) category:

Click to view products by [IEI](#) manufacturer:

Other Similar products are found below :

[ESM6D044440C05AAQ](#) [FMD15.24G](#) [PSL486-7LR](#) [Q48T30020-NBB0](#) [JAHW100Y1](#) [SPB05C-12](#) [SQ24S15033-PS0S](#) [18952](#) [19-130041](#)
[CE-1003](#) [CE-1004](#) [GQ2541-7R](#) [RDS180245](#) [MAU228](#) [J80-0041NL](#) [DFC15U48D15](#) [XGS-0512](#) [XGS-1205](#) [XGS-1212](#) [XGS-2412](#) [XGS-](#)
[2415](#) [XKS-1215](#) [06322](#) [NCT1000N040R050B](#) [SPB05B-15](#) [SPB05C-15](#) [L-DA20](#) [DCG40-5G](#) [QME48T40033-PGB0](#) [XKS-2415](#) [XKS-2412](#)
[XKS-1212](#) [XKS-1205](#) [XKS-0515](#) [XKS-0505](#) [XGS-2405](#) [XGS-1215](#) [XGS-0515](#) [PS9Z-6RM4](#) [73-551-5038I](#) [AK1601-9RT](#) [VI-N61-CM](#) [VI-](#)
[R5022-EXWW](#) [PSC128-7iR](#) [RPS8-350ATX-XE](#) [DAS1004812](#) [PQA30-D24-S24-DH](#) [VI-M5F-CQ](#) [VI-LN2-EW](#) [VI-PJW01-CZY](#)