

IDS-310-AL

- Digital Signage System
- Ultra Compact Size



Features

- Triple HDMI displays up to 4K resolution
- Two GbE LAN ports
- Full-size PCIe Mini slot and M.2 A-key slot for expansion



Specifications

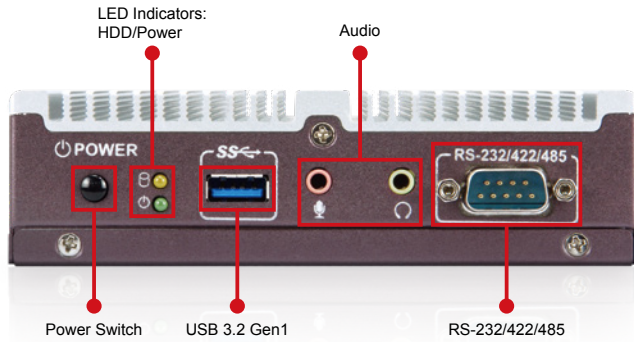
Model Name		IDS-310-AL-N1	IDS-310-AL-J1
Chassis	Color	Brown & Silver	
	Dimensions (WxDxH)	137 x 102.8 x 38.1 mm	137 x 102.8 x 52.1 mm
	System Fan	Fanless	
	Chassis Construction	Extruded aluminum alloys	
Motherboard	CPU	Intel® Celeron® N3350 (up to 2.4GHz, dual-core, TDP 6W)	Intel® Celeron® J3455 (up to 2.3GHz, quad-core, TDP 10W)
	Chipset	SOC	
	System Memory	1 x 204-pin DDR3L SO-DIMM, 4 GB pre-installed (system max: 8GB)	
Storage	Hard Drive	1 x SATA 6Gb/s connector	
	Micro SD	1 x Micro SD (optional)	
I/O Interfaces	Ethernet	2 x RJ-45 PCIe GbE by RTL8111 controller	
	USB 3.2 Gen1 (5Gb/s)	3	
	COM Port	1 x RS-232/422/485 with AFC	
	Display	3 x HDMI 1.4b (3840x2160@30Hz) ^{1,2}	
	Audio	1 x Line-out, 1 x Mic-in	
	Wireless	1 x 802.11 a/b/g/n/ac (optional)	
	TPM 2.0	Optional	
	Expansions	PCIe Mini	1 x Full-size (PCIe/ USB 2.0/ SATA) with SIM card slot
M.2		1 x 2230 A key (PCIe x1/ USB 2.0)	
Power	Power Input	12V DC-in	
	Power Consumption	12V @ 1.9A (Intel® Celeron® N3350 with 4GB memory)	12V @ 2.2A (Intel® Celeron® J3455 with 4GB memory)
Reliability	Mounting	VESA 75/100/Wall mount	
	Operating Temperature	-20°C ~ 60°C with air flow (mSATA), 10% ~ 95%, non-condensing	
	Storage Temperature	-30°C ~ +80°C	
	Operating Shock	Half-sine wave shock 5G, 11ms, 100 shocks per axis	
	Operation Vibration	MIL-STD-810G 514.6C-1 (mSATA)	
	Weight (Net/Gross)	680g/1.4kg	950g/1.7kg
	Safety / EMC	CE, FCC Class A, BSMI	
	Watchdog Timer	Programmable 1 ~ 255 sec/min	
OS	Supported OS		
		Microsoft® Windows® 10, Linux	

1. Due to chipset limitation, audio is not supported over the HDMI3 connector.

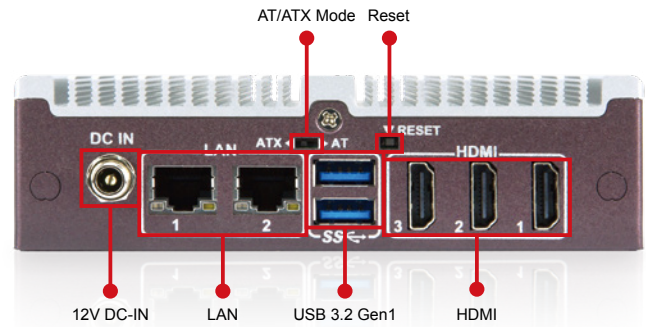
2. Fully support of triple 4K display output may vary in different system environment setting. Contact an IEI sales representative for detailed information.

Fully Integrated I/O

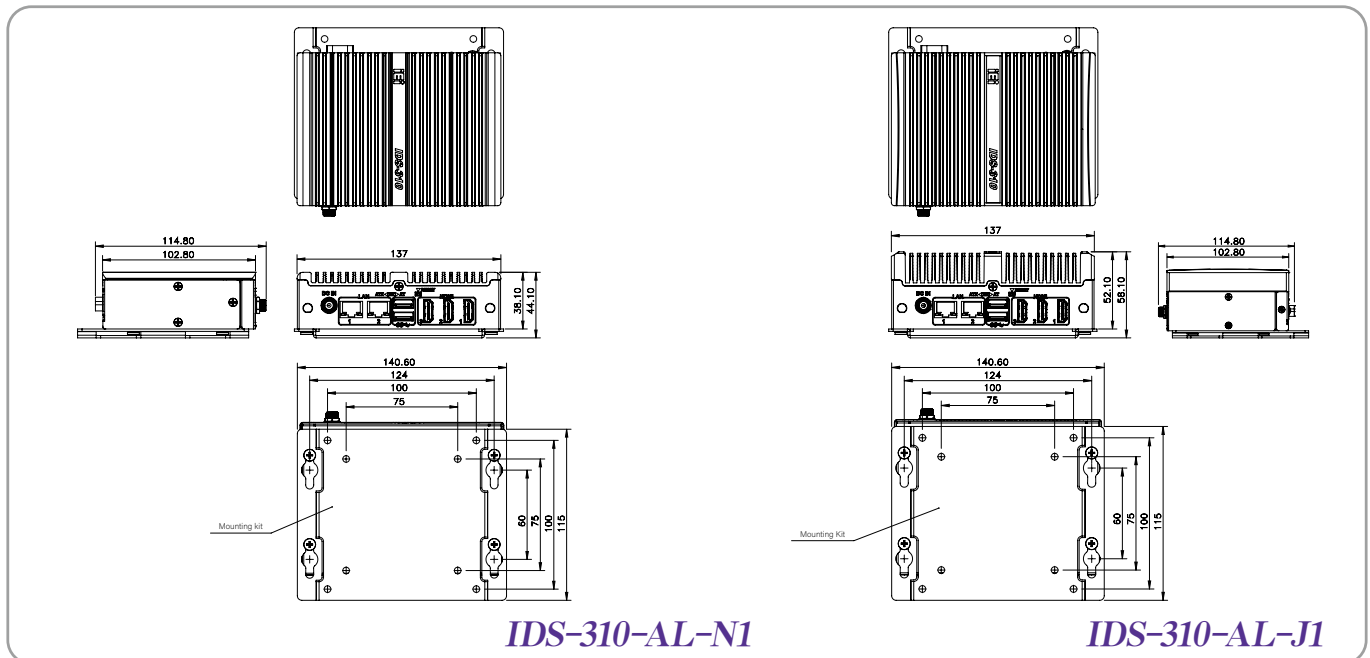
Front View



Rear View



Dimensions (Unit: mm)



Ordering Information

Part No.	Description
IDS-310-AL-J1/4GB-R10	Fanless embedded system with Intel® Celeron® J3455 1.5GHz (up to 2.3GHz, quad core, TDP 10W), pre-installed 4GB DDR3L memory, triple HDMI display, 12V DC and RoHS
IDS-310-AL-N1/4GB-R10	Fanless embedded system with Intel® Celeron® N3350 1.1GHz (up to 2.4GHz, dual core, TDP 6W), pre-installed 4GB DDR3L memory, triple HDMI display, 12V DC and RoHS

Options

Part No.	Description
Wi-Fi Module	27319-000009-RS* Wireless Lan Module;Wireless LAN & Bluetooth M.2 Module;Sparklan;R9701810011;;IEEE802.11a/b/g/n/ac;2.412GHz~2.4835GHz,5.15GHz~5.85GHz;M.2 2230;;3.3V;22*30*2.15mm;QCNFA364A;QCA6174A-5;2x2 MIMO;Dual Band;WCBN808A-Q2;CCL;CCL;RoHS
Antenna	32505-000900-100-RS* External Antenna;WLAN;RG 178;108MM;TANK-700-QM67-R10;PEAK GAIN 2.0DBI;Exceltek;2.4-2.5GHz/5.15-5.85GHz;REVERSE SMA PLUG;RoHS
RF Cable	32501-004000-100-RS* RF;RF CABLE;LINE DIAMETER:0.81mm;250MM;;50Ω;Sparklan;0-6GHz;VSWR≤1.3;I-PEX MHF-4 Plug;REVERSE SMA JACK;NUT x 1;WASHER x 1;;RoHS
OS:Windows Embedded 10	IDS-310-AL-W10E64-E-R10 OS Image with Windows® 10 IoT Enterprise Entry 64-bit 2019 for IDS-310-AL Series, with DVD-ROM, RoHS

* Each Wi-Fi module needs two antennas and two RF cables to fully support Wi-Fi function.

Packing List

1 x VESA 75/100 Mounting Kit	1 x Power Adapter	1x Power Cord
------------------------------	-------------------	---------------

X-ON Electronics

Largest Supplier of Electrical and Electronic Components

Click to view similar products for [Embedded Box Computers](#) category:

Click to view products by [IEI](#) manufacturer:

Other Similar products are found below :

[tBOX312-870-FL-i7-DC](#) [tBOX313-835-FL-RJ-DC](#) [UPOS-3150-R0W0E](#) [ARK-20-S8A1E](#) [R2224WTTYSR](#) [BXNUC9i5QNX](#)
[BXNUC9i5QNX1](#) [BKNUC9V7QNX](#) [BKNUC9V7QNX1](#) [2-A0DF-2001](#) [BKCMB1ABB](#) [BKCMB1ABA](#) [EM3000-3845-8-128-WL-U-1](#)
[TANK-870AI-i5/8G/2A-R10](#) [PRFE21000038](#) [EM5000-I3-8-128-WL-W7-1](#) [EM3000-3845-8-128-WL-W7-1](#) [PRFE21000039](#) [AMOS-825-](#)
[1Q10A1](#) [UPS-EDAI-X70864-U01-DC01](#) [UPX-EDGEI7-A10-1664-F01](#) [MXE-211/M8G](#) [PXIe-3985/M16G](#) [PXIe-3987/M16G/SSD](#) [AIMB-](#)
[T1215DA-00Y0E](#) [AIMB-T12315A-00Y0E](#) [AMAX-5580-54000A](#) [APAX-5580-474AE](#) [ARK-6322-Q0A2E](#) [DS-100GF-S8A1E](#) [DS-100GL-](#)
[S8A1E](#) [EPC-R4680CQ-XAA1E](#) [ESRP-CSS-UNO2484](#) [ITA-1611-10A1E](#) [ITA-1711-10A1E](#) [MIC-710AI-00A1](#) [MIC-720AI-00A1](#) [UNO-247-](#)
[J1N1AE](#) [UTX-3115FS-S6A2E](#) [AMI220AF-4L-7500](#) [ELIT-1200](#) [AIE100-903-FL](#) [EBOX671-517-FL-DC](#) [MVS900-511-FL](#) [AMS200](#) [SE-92-](#)
[I7](#) [SI-606](#) [SI-60E](#) [TANK-760-HM86i-i5/4G-R10](#) [BKCM8i7CB8N](#)