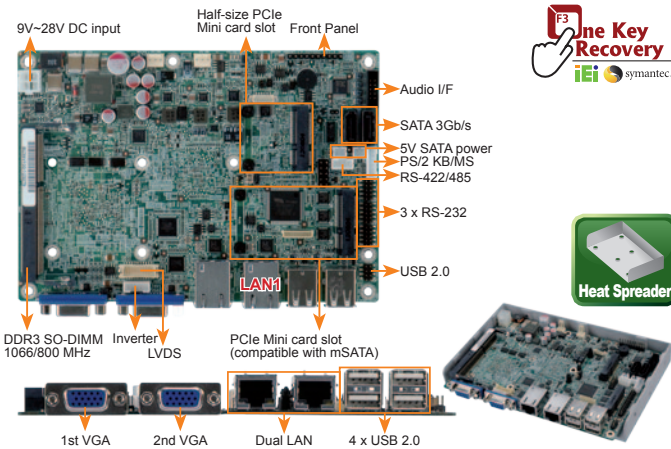


# NANO-CV-D25502/N26002

EPIC SBC with Intel® Atom™ D2550 1.86GHz/ N2600 1.6GHz, DDR3, Dual VGA/ LVDS, Dual GbE, USB 2.0, Dual PCIe Mini, SATA 3Gb/s, mSATA and Audio



## Features

1. EPIC form factor with Intel® Atom™ dual core D2550 1.86GHz/N2600 1.6GHz processor supporting DDR3 memory
2. Dual display support by dual VGA and 18/24-bit single channel LVDS
3. 1066/800MHz DDR3 SO-DIMM supported up to 4GB
4. Thermal design for easy assembly by heat spreader
5. Wide power voltage range by 9V ~ 28V support
6. IEI One Key Recovery solution allows you to create rapid OS backup and recovery

## Specifications

- ◆ CPU
  - Intel® dual core Atom™ D2550 1.86GHz processor
  - Intel® dual core Atom™ N2600 1.6GHz processor
  - Intel® dual core Atom™ N2800 1.86GHz processor (optional)
- ◆ Chipset: Intel® NM10
- ◆ BIOS: UEFI BIOS
- ◆ Memory
  - 1 x 1066MHz DDR3 SO-DIMM supporting up to 4GB (for D2550 and N2800)
  - 1 x 800MHz DDR3 SO-DIMM supporting up to 2GB (for N2600)
- ◆ Graphics Engine
  - GMA 3650 at 640MHz graphics core speed (for N2550 and N2800)
  - GMA 3600 at 400MHz graphics core speed (for N2600)
- ◆ Display Output
  - 1st VGA integrated in the CPU (up to 1920 x 1200 @60Hz)
  - 2nd VGA driver via the NXP PTN3392 (up to 1920 x 1200 @60Hz)
  - LVDS1 integrated in the CPU
  - Single-channel 24-bit LVDS by D2550, resolution support up to 1440x900 @60Hz
  - Single-channel 18-bit LVDS by N2600 and N2800, resolution support up to 1366x768 @60Hz
- ◆ Ethernet
  - Dual PCIe LAN controller by Realtek RTL8111E with ASF 2.0 support
- ◆ Super I/O: Fintek F81866
- ◆ I/O Interface
  - 3 x RS-232
  - 1 x RS-422/485
  - 1 x 6-pin wafer for PS/2 KB/MS
  - 6 x USB 2.0 (4 on rear, 2 by pin header)
  - 2 x SATA 3Gb/s with SATA 5V power connector (SATA1 and mSATA shares SATA signal)
- ◆ Audio
  - Realtek ALC662 HD codec (Line-in, Line-out, Mic)
- ◆ Expansions
  - 1 x full-size PCIe Mini card slot with mSATA support (SATA1 and mSATA shares SATA signal)
  - 1 x half-size PCIe Mini card slot
- ◆ Watchdog Timer
  - Software programmable supports 1~255 sec. system reset
- ◆ Digital I/O: 8-bit programmable I/O
- ◆ Fan Connector (smart fan support)
  - 1 x 3-pin CPU fan connector
  - 1 x 3-pin system fan connector
- ◆ Power supply: 9 ~ 28V, AT/ATX support
- ◆ Power Consumption
  - 12V@1.59A (Intel® dual core D2550 CPU with 1333MHz 4GB DDR3 memory)
  - 12V@1.23A (Intel® dual core N2600 CPU with 1333MHz 4GB DDR3 memory)
- ◆ Operating Temperature
  - 20°C ~ 60°C with free air, -20°C ~ 70°C with force air for D2550 processor
  - 20°C ~ 70°C with free air, -20°C ~ 75°C with force air for N2600/N2800 processor
- ◆ Storage Temperature: -30°C ~ 80°C
- ◆ Operating Humidity: 5% ~ 95%, non-condensing
- ◆ Dimensions: 115 mm x 165 mm
- ◆ Weight: GW: 850g/NW: 350g

## Packing List

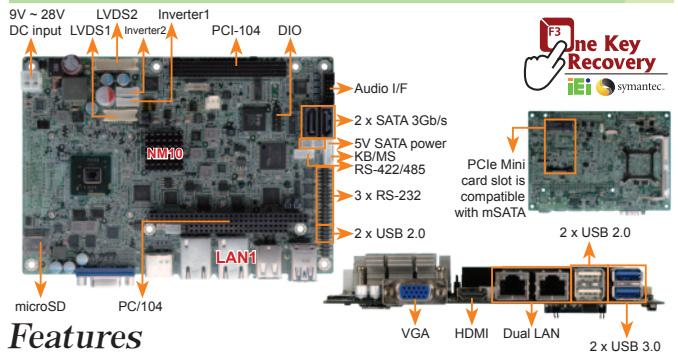
1 x NANO-CV-D25502/N26002 single board computer	
1 x SATA with 5V output cable kit (P/N: 32801-000201-300-RS)	
1 x Audio cable (P/N: 32000-072100-RS)	1 x One Key Recovery CD
1 x Power cable (P/N: 32100-087100-RS)	1 x Mini jumper pack
1 x RS-232 cable (P/N: 32200-000049-RS)	1 x Utility CD
1 x Heat spreader	1 x QIG (Quick Installation Guide)

## Ordering Information

Part No.	Description
NANO-CV-D25502-R10	EPIC SBC with Intel® Atom™ D2550 1.86GHz, DDR3, dual VGA/LVDS, dual GbE, USB 2.0, dual PCIe Mini, SATA 3Gb/s, mSATA and Audio
NANO-CV-N26002-R10	EPIC SBC with Intel® Atom™ N2600 1.6GHz, DDR3, dual VGA/LVDS, dual GbE, USB 2.0, dual PCIe Mini, SATA 3Gb/s, mSATA and Audio
NANO-CV-N28002-R10	EPIC SBC with Intel® Atom™ N2800 1.86GHz, DDR3, dual VGA/LVDS, dual GbE, USB 2.0, dual PCIe Mini, SATA 3Gb/s, mSATA and Audio (by project support, MOQ 100pcs / lot)
32000-070301-RS	Dual-port USB cable
32200-000049-RS	RS-232 cable
32205-003800-300-RS	RS-422/485 cable, 200mm
32000-023800-RS	PS/2 KB/MS Y cable

# NANO-CV-D25501/N26001

EPIC SBC with Intel® D2550/N2600, DDR3, VGA/HDMI/Dual LVDS, Dual GbE, USB 3.0, mSATA, SATA 3Gb/s, Audio and RoHS



## Features

1. EPIC form factor with Intel® D2550/N2600 dual-core processor supporting DDR3/DDR3L (1.35V) memory
2. Wide range 9V ~ 28V DC input design
3. Flexible VGA, dual LVDS and HDMI with dual-display support
4. Supports PC/104-Plus and PCIe Mini card slot compatible with mSATA SSD storage
5. Complete I/O with six USB, two SATA 3Gb/s, four COM and audio
6. IEI One Key Recovery solution allows you to create rapid OS backup and recovery

## Specifications

- ◆ CPU
  - Intel® dual core Atom™ D2550 1.86GHz processor
  - Intel® dual core Atom™ N2600 1.6GHz processor
  - Intel® dual core Atom™ N2800 1.86GHz processor (optional)
- ◆ Chipset: Intel® NM10
- ◆ BIOS: UEFI BIOS
- ◆ Memory
  - 1 x 1066MHz DDR3 SO-DIMM supporting up to 4GB (for D2550 and N2800)
  - 1 x 800MHz DDR3 SO-DIMM supporting up to 2GB (for N2600)
- ◆ Graphics
  - GMA 3650 at 640MHz graphics core speed (for N2550 and N2800)
  - GMA 3600 at 400MHz graphics core speed (for N2600)
- ◆ Display Output
  - Dual display supported
  - 1 x VGA (up to 1920 x 1200 @60Hz) (Due to Intel GMA driver limitation, the monitor connected to the VGA connector may not have signal to it or become extended desktop after restarting from the graphics driver installation. To solve this problem, press the Ctrl+Alt+F1 hotkey to switch the primary screen to CRT mode.)
  - 1 x HDMI (up to 1920 x 1200 @60Hz)
  - LVDS1 integrated in the D2550/N2600
  - Single-channel 24-bit LVDS by D2550, resolution support up to 1440x900 @60Hz
  - Single-channel 18-bit LVDS by N2600 and N2800, resolution support up to 1366x768 @60Hz
  - LVDS2 supports 24-bit dual-channel by CH7511 DP to LVDS converter, resolution support up to 1920x1200 for D2550, 1600x1200 for N2600/N2800
- ◆ Ethernet
  - Dual LAN by Realtek RTL8111E controllers
- ◆ I/O Interface
  - 3 x RS-232
  - 1 x RS-422/485
  - 4 x USB 2.0
  - 2 x USB 3.0
  - 1 x microSD (Only for boot up to DOS)
  - 1 x 6-pin wafer for PS/2 KB/MS
  - 2 x SATA 3Gb/s with 5V power connector (SATA1 and mSATA shares SATA signal)
- ◆ Expansions
  - 1 x PCIe Mini card (compatible with mSATA SSD device) (SATA1 and mSATA shares SATA signal)
  - 1 x PC/104 slot (ISA)
  - 1 x PCI/104 slot (PCI)
- ◆ Watchdog Timer
  - Software programmable supports 1~255 sec. system reset
- ◆ Programmable GPIO: 8-bit GPIO
- ◆ Fan Connector (smart fan support)
  - 1 x 3-pin CPU fan connector
  - 1 x 3-pin system fan connector
- ◆ Power supply
  - Maximum input voltage range: 9V ~ 28V
  - Recommended operating input voltage range: 12V ~ 24V
  - One internal 4-pin (2x2) power connector
- ◆ Power Consumption
  - 12V@2.1A (Intel® D2550 1.86GHz CPU with 1333MHz 2GB DDR3 memory)
  - 12V@1.72A (Intel® N2600 1.6GHz CPU with 1333MHz 2GB DDR3 memory)
- ◆ Operating Temperature
  - 20°C ~ 60°C with free air, -20°C ~ 70°C with force air for D2550 processor
  - 20°C ~ 70°C with free air, -20°C ~ 75°C with force air for N2600/N2800 processor
- ◆ Storage Temperature: -30°C ~ 80°C
- ◆ Operating Humidity: 5% ~ 95%, non-condensing
- ◆ Weight: GW: 670g/NW: 350g

## Packing List

1 x NANO-CV-D25501/N26001 single board computer	
1 x PS/2 KB/MS Y cable (P/N: 32000-023800-RS)	
1 x SATA with 5V output cable (P/N: 32801000201-100-RS)	
1 x Power cable (P/N: 32100-087100-RS)	1 x One Key Recovery CD
1 x Audio cable (P/N: 32000-072100-RS)	1 x Mini jumper pack
1 x USB cable (P/N: 32000-070301-RS)	1 x Utility CD
1 x RS-232 cable (P/N: 32200-000049-RS)	1 x QIG (Quick Installation Guide)

## Ordering Information

Part No.	Description
NANO-CV-D25501-R10	EPIC SBC with Intel® Atom™ D2550 1.86GHz, DDR3, VGA/HDMI/dual LVDS, dual GbE, USB 3.0, mSATA, SATA 3Gb/s, Audio, RoHS
NANO-CV-N26001-R10	EPIC SBC with Intel® Atom™ N2600 1.6GHz, DDR3, VGA/HDMI/dual LVDS, dual GbE, USB 3.0, mSATA, SATA 3Gb/s, Audio, RoHS
NANO-CV-N28001-R10	EPIC SBC with Intel® Atom™ N2800 1.86GHz, DDR3, VGA/HDMI/dual LVDS, dual GbE, USB 3.0, mSATA, SATA 3Gb/s, Audio and RoHS (by project support, MOQ 100pcs / lot)
32200-000049-RS	RS-232 cable
32205-003800-300-RS	RS-422/485 cable, 200mm
19FFD124010HB2A7-000001-RS	CPU fan
34000-000510-RS	30mm higher heatsink

## X-ON Electronics

Largest Supplier of Electrical and Electronic Components

*Click to view similar products for [Single Board Computers](#) category:*

*Click to view products by [IEI](#) manufacturer:*

Other Similar products are found below :

[MANO882VPGGA-H81](#) [SSD3200W-S-SLC-INN 20-101-0738](#) [MVME61006E-2173R](#) [SHB230DGGGA-RC](#) [IMB210VGGA](#) [IB915F-3955](#)  
[MI958F-16C](#) [S2600WFT](#) [S2600STB](#) [BBS2600BPS](#) [BLKNUC7I3DNHNC1978015](#) [DEV-17745](#) [BEAGLEBOARD POCKET](#) [MICROSOM](#)  
[I2 + WIFI/BT](#) [HUMMINGBOARD-I2EX](#) [BASE + WIFI/BT](#) [HUMMINGBOARD-I4 PRO + WIFI/BT](#) [VAB-600-B](#) [RT5350F-OLINUXINO-](#)  
[EVB](#) [MITX-440-DVI-2E](#) [ATCA-7365-D-24GB](#) [NITX-315-DEVKIT](#) [A13-SOM-512](#) [NITX-315](#) [BANANA PI BPI-M1+](#) [A13-SOM-WIFI-](#)  
[4GB](#) [AM3359-SOM-EVB-IND](#) [UPS-APLC2-A10-0432](#) [DFR0419](#) [UPS-APLP4-A10-0864](#) [UPS-APLP4-A10-0432](#) [UPS-APLP4-A10-08128](#)  
[MI977F-Q27](#) [BBBLUE](#) [IB811F-I30](#) [DFR0470-ENT](#) [Nit6Q\\_i](#) [M2M \(TELIT\)](#) [RELAY](#) [PROFESSIONAL](#) [GCS22.2.080.2.2.I](#)  
[GCS22.8.100.4.2.I](#) [GLS11.2.053.2.2.E](#) [A20-OLINUXINO-LIME-E16GS16M](#) [A20-OLINUXINO-LIME-S16M](#) [A20-OLINUXINO-LIME2-](#)  
[E16GS16M](#) [A20-OLINUXINO-MICRO-E16GS16M](#) [A20-OLINUXINO-MICRO-S16M](#) [BANANA PI BPI-W2](#) [T2-OLINUXINO-LIME2-](#)  
[S16M-IND](#)