

19" Industrial Panel PC

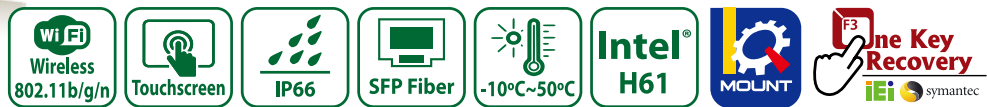
# PPC-5190A-H61

Intel® Core™ i7/ i5/ i3, Pentium® and Celeron® Processor



## Features

- High brightness TFT-LCD panel with LED backlight
- Multiple storage options: 2.5" SATA HDD, CF slot, and mSATA
- Dual Ethernet provides continuous network service and allows sharing among different workgroups in two different subnets
- Optional PCI / PCIe x1 expansion slot
- Optional slim type CD-ROM drive bay
- Robust aluminum front bezel and metal casing
- IP 66 compliant front panel for PPC-5190A-H61
- IEI One Key Recovery solution allows you to create rapid OS backup and recovery (Over 4GB storage capacity)



## Specifications

Model		PPC-5190A-H61
Display	LCD Size	19"
	Max. Resolution	1280(W) x 1024(H)
	Brightness (cd/m <sup>2</sup> )	350
	Contrast Ratio	1000 : 1
	LCD Color	16.7M
	Pixel Pitch (mm) (HxV)	0.294(H) x 0.294(V)
	Viewing Angle (V/H)	160°/ 170°
	Backlight MTBF (hrs)	50,000
Touch	Touchscreen	5-wire resistive type with RS-232 interface
	Touch Controller	DMC 9000
Motherboard	SBC	POS-H61
	CPU	2nd/3rd generation Intel® Core™ i7/ i5/ i3, Pentium® and Celeron® processor, up to TDP 65W CPU
	Chipset	Intel® H61
	RAM	Two 204-pin DDR3 SO-DIMM slots (max. 16GB)
	Ethernet	Realtek RTL8111E PCIe GbE controller supporting ASF 2.0
	Audio Codec	Realtek ALC662 audio codec
I/O Ports and Switches		4 x RS-232 COM port 1 x RS-232/422/485 port 2 x RJ-45 for LAN port 4 x USB 2.0, 2 x USB 3.0 on rear 1 x VGA port
Drive Bay		1 x 2.5" SATA HDD bay with anti-shook CF Type II, mSATA (SATA2 signal) Slim type CD-ROM bay
Expansion Slot		Either 1 x PCI slot or 1 x PCIe slot 1 x PCIe Mini card
Physical	Front Panel Construction	Aluminum
	Chassis Construction	Heavy-duty steel
	Mounting	Panel, wall, rack, stand and arm (VESA 100 mm x 100 mm)
	Front Panel Color	Silver (Pantone 8001C)
	Dimensions (WxHxD) (mm)	482 x 399 x 115
	Cut Out Dimensions (WxH) (mm)	450 x 363
Net/Gross Weight		12.6 kg / 18.2 kg
Environment	Operating Temperature	-10°C ~ 50°C
	Storage Temperature	-20°C ~ 60°C
	System Cooling	Active with Fan
	Vibration	5~17Hz, 0.1 double amplitude displacement 17~640Hz 1.5G acceleration peak to peak
	Shock	10G acceleration part to part (11ms)
IP Rating		Front IP66 compliant
Power Supply	AC Input	AC input ATX power supply - P/N: 63000-ACEA622A166-RS - 220W power supply - Input: 90VAC~264VAC, 50/60Hz - Output (max.): 3.3V@14A, 5V@16A, 12V@10A, -12V@0.8A
	DC Input	DC input ATX power supply - P/N: ACE-4520C-RS - 200W power supply - Input: 24 VDC (18~36 VDC) - Output (max.): 3.3V@12A, 5V@12A, 12V@15.4A, -12V@0.5A

## Ordering Information

Part No.	Description
PPC-5190A-H61-P/R-R10	19" 350 cd/m <sup>2</sup> SXGA Panel PC with POS-H61, Pentium Dual Core G6xxT (Above 2.2GHz), TDP 35W, 2GB DDR3 RAM*2, Silver color, PSU ACE-A622A, touch screen, RoHS
PPC-5190AD-H61-P/R-R10	19" 350 cd/m <sup>2</sup> SXGA Panel PC with POS-H61, Pentium Dual Core G6xxT (Above 2.2GHz), TDP 35W, 2GB DDR3 RAM*2, Silver color, PSU ACE-4520C, touch screen, RoHS
PPC-5190A-H61-i3/R-R10	19" 350 cd/m <sup>2</sup> SXGA Panel PC with POS-H61, Core i3 Dual Core 2xxxT CPU (Above 2.5GHz), TDP 35W, 2GB DDR3 RAM* 2, Silver color, PSU ACE-A622A, touch screen, RoHS
PPC-5190AD-H61-i3/R-R10	19" 350 cd/m <sup>2</sup> SXGA Panel PC with POS-H61, Core i3 Dual Core 2xxxT CPU (Above 2.5GHz), TDP 35W, 2GB DDR3 RAM*2, Silver color, PSU ACE-4520C, touch screen, RoHS
PPC-5190A-H61-i5/R-R10	19" 350 cd/m <sup>2</sup> SXGA Panel PC with POS-H61, Core i5 Dual Core 2xxxT CPU (Above 2.7GHz), TDP 35W, 2GB DDR3 RAM*2, Silver color, PSU ACE-A622A, touch screen, RoHS
PPC-5190AD-H61-i5/R-R10	19" 350 cd/m <sup>2</sup> SXGA Panel PC with POS-H61, Core i5 Dual Core 2xxxT CPU (Above 2.7GHz), TDP 35W, 2GB DDR3 RAM*2, Silver color, PSU ACE-4520C, touch screen, RoHS
PCIR-01H-R10	1-Slot PCI riser card
PCIER-101H-R10	1-Slot PCIe x 1 riser card

## Packing List

Item	Part No.	Description
User's Manual CD-ROM		
SATA CD-ROM Cable	32803-000300-100-RS	Slim-line SATA 7+6P to SATA 7P/4P power, L=200/150 m
Power Cord	32000-000002-RS	European standard, 1830 mm, plug (16A, 250V), connector (10A, 250V)
Panel Mount Kit	19Z00-000024-RS	19Z00-000024-RS x10
Wall Mount Kit	41020-016102-00-RS	
IEI One Key Recovery CD	IEI-7B000-000478-RS	
Touch Pen		

PCIER-101H-R10  
PCIe x4 slot with PCIe x1 signal riser card



PCIR-01H-R10  
One-slot PCI riser card



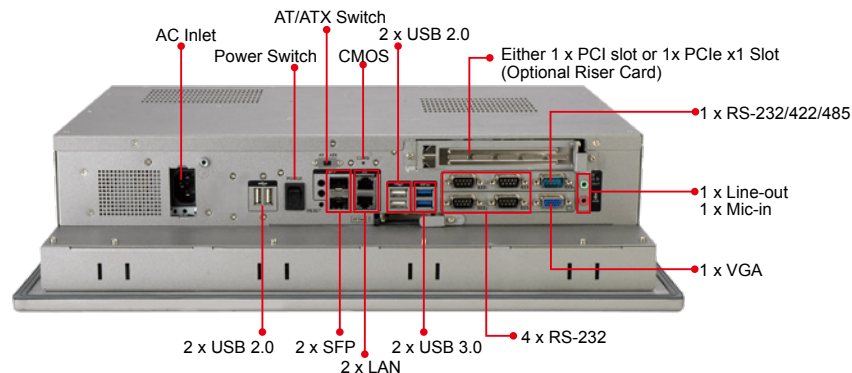
## IQ Mounting Options

Item	Part No.
Rack Mount Kit	RK-190MS-R10
Arm	ARM-31-RS
Stand	STAND-210-R11

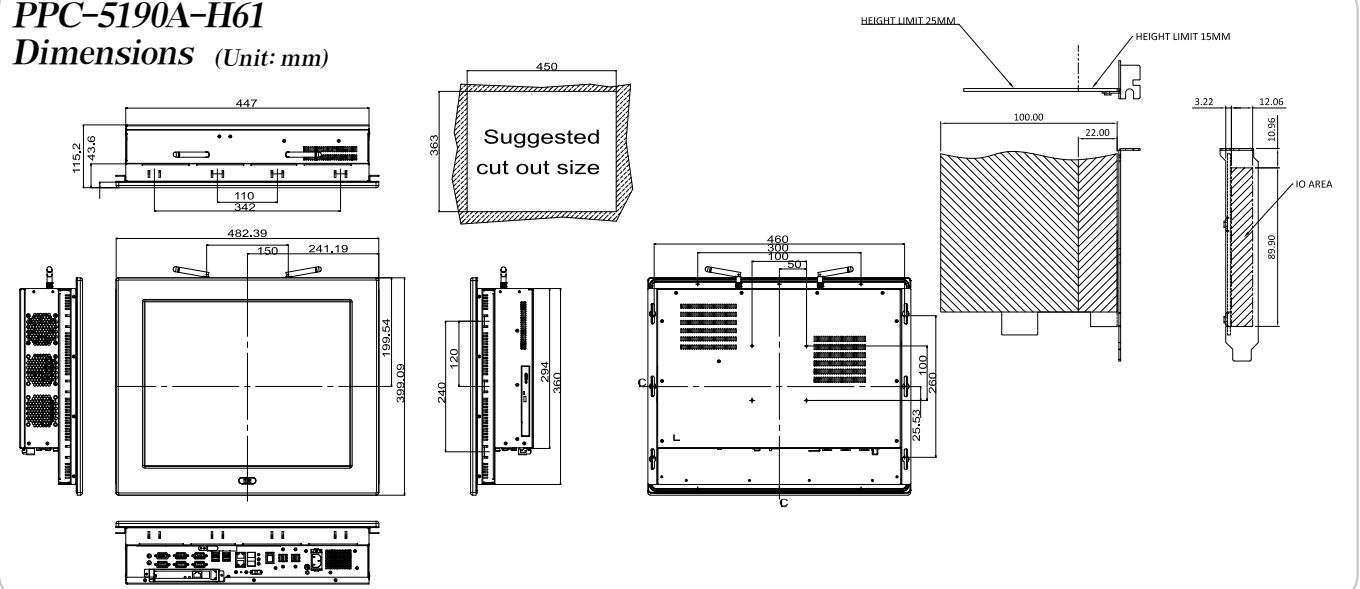
## Options

Part Number	Description
EMB-WIFI-KIT11-R20	Wi-Fi module with RF cable and antenna, 1T1R, 802.11b/g/n
73400-AD7760H01-RS	1T1R wifi module kit for embedded system, IEEE802.11a/b/g/n/ac WiFi with Bluetooth 4.0/3.0+HS, 1 x wifi module, 2 x 350mm RF cable, 2 x Antenna, RoHS

## PPC-5190A-H61 Fully Integrated I/O



## PPC-5190A-H61 Dimensions (Unit: mm)



## X-ON Electronics

Largest Supplier of Electrical and Electronic Components

*Click to view similar products for [Panel PCs category](#):*

*Click to view products by [IEI manufacturer](#):*

Other Similar products are found below :

[GOT-5100T-832](#) [GOT-3126T-832](#) [BYARM-W071-PC](#) [STC-15WR-E3950,4G,64GB M.2](#) [STC-15WP-E3950,4G,64GB M.2](#) [POC-W152-C11D-ACE](#) [PWS-770-VMOUNT00E](#) [PWS-870-CHDC00E](#) [PWS-870-UCOVER00E](#) [TREK-572-LWB7B0E](#) [ESRP-HMI-TPC1551](#) [ESRP-HMI-TPC1251](#) [ESRP-HMI-TPCB200](#) [BYARM-181-PC](#) [BYTEM-121-PC](#) [IDOOH-210-IR](#) [AFL3-W15A-BT-J1/PC/2G-R13](#) [IOVU-07F-AD-WBC-R10](#) [003002400100](#) [1050387](#) [SPTM20XP](#) [XPTB10X](#) [UTC-W101BF-ABI0E](#) [UTC-W101B-ABI0E](#) [UTC-W101B-AWI0E](#) [UTC-532C-GE](#) [UTC-532A-GE](#) [UTC-520A-PE](#) [UTC-520A-GE](#) [TREK-722R-A1E](#) [TREK-570-00A0E](#) [PWS-870-7S6G4P5F0E](#) [PPC-174T-WL-MTE](#)  
[110070048](#)