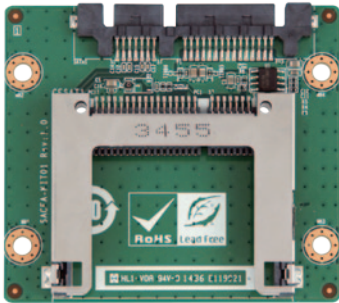


SATA to CFast™ Converter Board

New

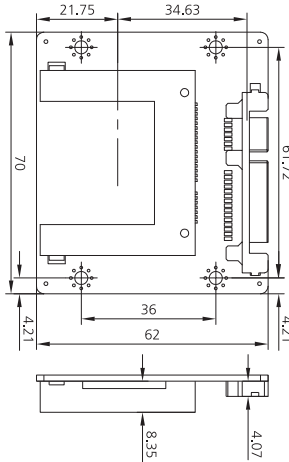
SACFA-KIT01-R10

SATA to CFast™ converter board



32801-000100-300-RS

Dimensions (Unit: mm)



Features

- CFast™ socket
- 7-pin SATA data connector, and a female 17-pin power CFast™ connector

Packing List

1 x SACFA-KIT01-R10
1 x QIG

Ordering Information

Part No.	Description
SACFA-KIT01-R10	SATA to 24-pin CFast™ socket converter board
32000-080700-RS	SATA 7+15P female to SATA 7P / PH 5.08 4P cable, L=200mm/100mm
32801-000100-100-RS	SATA 7+15P female to SATA 7P / PH 2.5 4P cable, L=200mm/200mm
32801-000201-100-RS	SATA 7+15P female to SATA 7P / PH 2.0 2P cable, L=150mm/150mm

SATA to CF Type II Converter Board

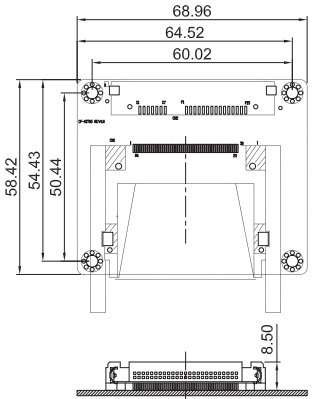
SACF-KIT01-R10

SATA to CF converter board



32801-000100-300-RS

Dimensions (Unit: mm)



Features

- CF Type II socket
- 50-pin CF Type II connector

Packing List

1 x SACF-KIT01-R10	1 x QIG
1 x SATA with power cable kit (P/N: 32801-000100-300-RS)	

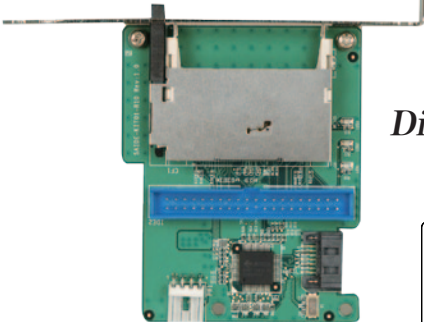
Ordering Information

Part No.	Description
SACF-KIT01-R10	SATA to 50-pin CF socket converter board

SATA to IDE/CF Type II Converter Board

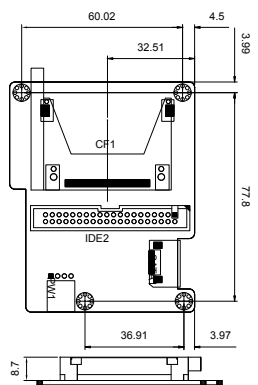
SAIDE-KIT01-R10

SATA to IDE/CF converter board



32100-064401-RS

Dimensions (Unit: mm)



Features

- CF Type II socket
- 40-pin IDE connector (master mode)
- 4-pin 5V input connector
- Power/5V/HDD LED indicator
- Support one IDE device or one CF

Packing List

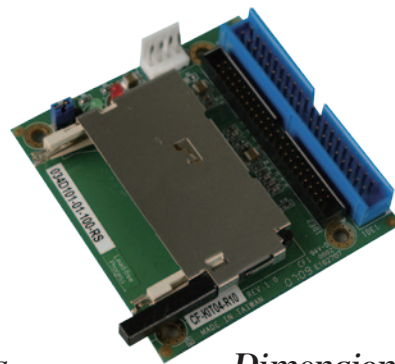
1 x SAIDE-KIT01-R10	1 x QIG
1 x Power cable (P/N: 32100-171800-RS)	

Ordering Information

Part No.	Description
SAIDE-KIT01-R10	SATA to 40-pin IDE/CF socket converter board with bracket
32000-062800-RS	SATA cable
32100-064401-RS	Power cable
32102-000100-200-RS	SATA power cable

IDE/CF Type II Converter Board

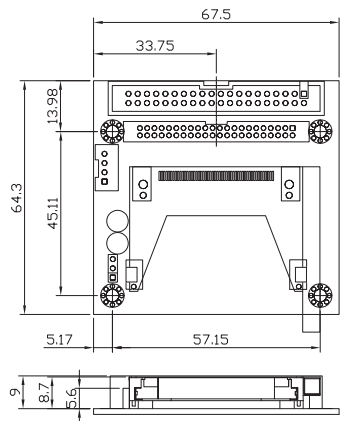
CF-KIT04-R10 IDE to CF Type II converter board with master/slave mode selection



Features

- CF Type II socket with master/slave mode selection
- 4-pin power connector
- Power/HDD signal LED

Dimensions (Unit: mm)



IEI CF Solution



iCF1000 Industrial standard grade



iCF1000 Wide Temp. grade

X-ON Electronics

Largest Supplier of Electrical and Electronic Components

Click to view similar products for [Modules Accessories](#) category:

Click to view products by [IEI](#) manufacturer:

Other Similar products are found below :

[7010-0001](#) [AX98219](#) [A1UL8RISER](#) [F1UJPMICRISER](#) [FHW1U16RISER](#) [20-101-0440](#) [2828736-1](#) [MBCDROM](#) [AX61221TM](#) [VM-105](#)
[EA CARREDIPTFT02](#) [RK-210E-B](#) [E226171106](#) [88606200030E](#) [SI-HDMI-EDID-EM](#) [MIC-75M13-00A1E](#) [FPM-1000T-SMKE](#) [AMK-](#)
[R004E](#) [96FMCF-ST2ADAPTER1](#) [AHWKPTP12GBGB](#) [AXXSTCPUCAR](#) [FPK-07-R10](#) [Mini Din 6P to 6P HARNESS](#) [FPF1320 POWER](#)
[MULTIPLEXER CARRIER](#) [881261510A0E](#) [AXXP3SWX08080](#) [conga-B7XD/CSP-Cu-B](#) [881281021A0E](#) [HFT for mounting KIT](#)
[FN928X_FN929X](#) [BB-MH112-1A](#) [15100600](#) [9-5000-1116](#) [BKCMCR1ABB](#) [70763](#) [98R3612003E](#) [881261910A0E](#) [106897](#) [48222R](#)
[BREAK OUT BOARD 20](#) [4D ARDUINO ADAPTOR SHIELD II](#) [20926110901](#) [PYCASE GREEN](#) [PYCASE BLUE](#) [FP15072_ZORYA-SC-](#)
[HEKLA](#) [20952000004](#) [20953000007](#) [DP-DVI-R10](#) [575-BBIS](#) [RACK-220GW/A130B](#) [492-BBKM](#)