

TANK-801-BT

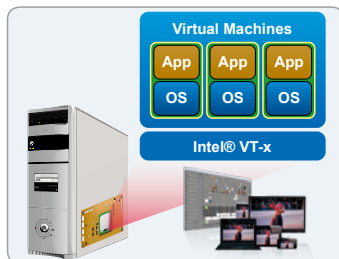
- Intel® Celeron® J1900 2 GHz, 10W
- Versatile three different backplane types

Features

- Intel® Celeron® J1900 2 GHz, 10W
- 16-bit digital I/O, 8-bit input/8-bit output
- 1 x DVI-I
1 x DisplayPort
- Various expansion type:
 - » 3A : One PCIe x1 + Two x PCI
 - » 3B: Two PCIe x1 + One x PCI
 - » 3C: Three x PCI
- Dual DC power input



Enhanced Visual Experience



Support Intel® Virtualization Technology



Automation

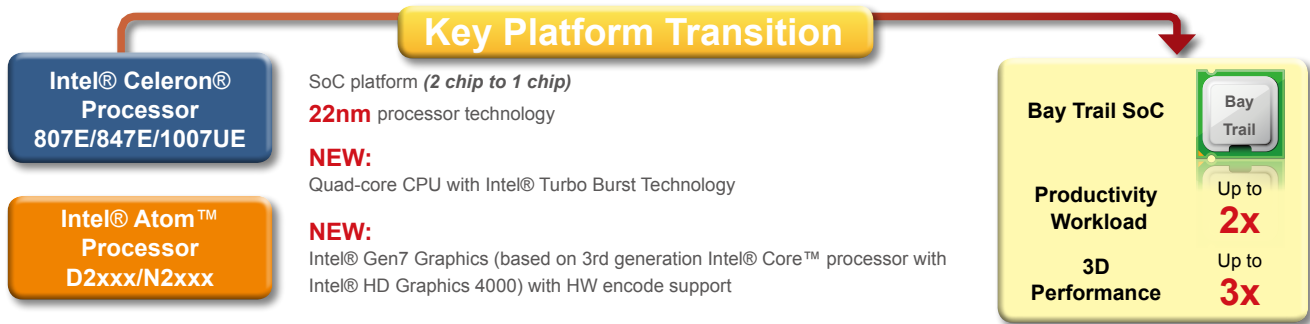


Video HD Technology
Spectacular HD Playback

Intel® Bay Trail Solution

Intel® Bay-Trail SoC (system on chip) integrates with CPU and graphics. With the Gen 7 graphics and the DX11 and full HD support, the TANK-801-BT is a good solution for visual application.

■ Intel® Bay Trail Platform Transition



■ Intel® Bay Trail Graphics and Media Features

3D Graphics	DX11.1, OGL 4.0, OGL ES 2.0, OVG 1.1
Video Decode	H.264, MPEG2, MPEG4, VC1/WMV9, VP8 up to 1080p decode
Video Encode	H.264, MPEG2

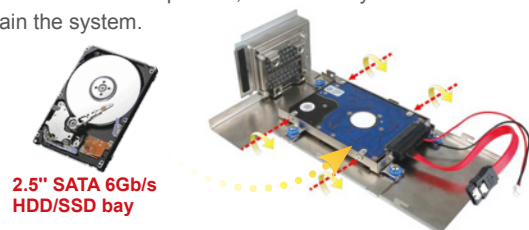
Diversified Expansion Interfaces

The TANK-801 series has three different expansion options on PCI and PCIe slot selection. Users can choose the suitable model for their application.

Backplane	TANK-801	
	Slot type	Signal
HPE-3S6 (2P1E)	PCI	PCI
	PCIe x16	PCIe x1
HPE-3S7 (1P2E)	PCI	PCI
	PCIe x4	PCIe x1
	PCIe x16	PCIe x1
HPE-3PCI	PCI	PCI

Easy of Installation

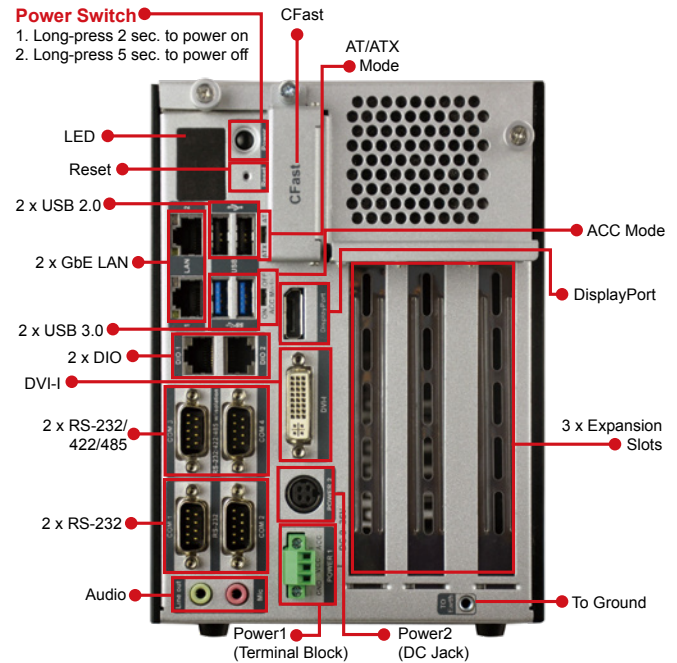
Users can easily install SO-DIMM, PCIe Mini cards and expansion cards by removing the TANK-801's top cover. A 2.5" SATA HDD/SSD bay is located on the top cover, which is very convenient for users to maintain the system.



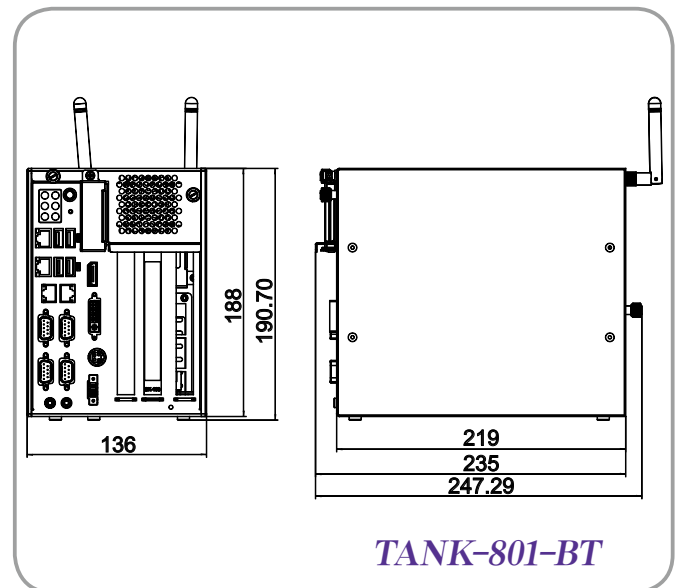
Specifications

Model Name	TANK-801-BT		
Chassis	Color	Black C + Silver	
	Dimensions (WxDxH) (mm)	136 x 219 x 188	
	System Fan	Fanless	
	Chassis Construction	Extruded aluminum alloys	
Motherboard	CPU	Intel® Celeron® J1900 2 GHz	
	Chipset	SoC	
Storage	System Memory	1 x 204-pin DDR3L SO-DIMM, 2GB pre-installed (system max: 8 GB)	
	Hard Drive	1 x 2.5" SATA 3Gb/s HDD/SSD bay	
I/O Interfaces	CF Card/CFast	1 x CFast	
	USB 3.0	2	
I/O Interfaces	USB 2.0	2	
	Ethernet	2 x RJ-45 1 x PCIe GbE by Intel® I210 1 x PCIe GbE by Intel® I211	
	COM Port	2 x RS-232 (DB-9) 2 x RS-232/422/485 (DB-9, with isolation)	
	Digital I/O	16-bit digital I/O, 8-bit input/8-bit output	
	Display	1 x DisplayPort, 1 x DVI-I	
	Resolution	DisplayPort: Up to 2560 x 1600 MHz DVI-I: Up to 2560 x 1600 MHz	
	Audio	1 x Line-out, 1 x Mic-in	
	Wireless	1 x 802.11b/g/n (optional)	
	Expansions	PCI/PCIe	3A: One PCIe x1 + Two x PCI 3B: Two PCIe x1 + One x PCI 3C: Three x PCI
		PCIe Mini	1 x Full-size PCIe Mini
Power	Power Input	DC Jack: 9 V~36 V DC Terminal Block: 9 V~36 V DC	
	Power Consumption	19 V@1.8 A (Intel® Celeron® J1900 with 2 GB DDR3 memory)	
Reliability	Mounting	Wall mount	
	Operating Temperature	-20°C ~ 60°C with air flow (SSD), 5% ~ 95%, non-condensing	
	Storage Temperature	-40°C ~ 85°C with air flow (SSD), 5% ~ 90%, non-condensing	
	Operating Shock	Half-sine wave shock 5G, 11ms, 3 shocks per axis	
	Operating Vibration	MIL-STD-810F 514.5C-2 (with SSD)	
	Weight (Net/Gross)	2.8 kg/4.3 kg	
	Safety/EMC	CE/FCC	
OS	Supported OS	Microsoft® Windows® 8 Embedded, Microsoft® Windows® Embedded Standard 7 E	

Fully Integrated I/O



Dimensions (Unit: mm)



Ordering Information

Part No.	Description
TANK-801-BTI-J1/2G/3A-R11	Fanless embedded system with two PCI and one PCIe x1 expansion, Intel® Bay-Trail J1900 2 GHz, TDP 10W, 2GB DDR3L pre-installed memory, 1 x DVI-I, 1 x DisplayPort, iRIS-2400 optional, 9 V~36 V DC, RoHs
TANK-801-BTI-J1/2G/3B-R11	Fanless embedded system with one PCI and two PCIe x1 expansions, Intel® Bay-Trail J1900 2 GHz, TDP 10W, 2GB DDR3L pre-installed memory, 1 x DVI-I, 1 x DisplayPort, iRIS-2400 optional, 9 V~36 V DC, RoHs
TANK-801-BTI-J1/2G/3C-R11	Fanless embedded system with three PCI expansion, Intel® Bay-Trail J1900 2 GHz, TDP 10W, 2 GB DDR3L pre-installed memory, 1 x DVI-I, 1 x DisplayPort, iRIS-2400 optional, 9 V~36 V DC, RoHs

Options

Part No.	Description
IRIS-2400-R10	IPMI 2.0 adapter card with AST2400 BMC chip for DDR3 SO-DIMM socket interface
19FFD124010HBNBG-000002-RS	FAN, +12V DC, 4PIN, 31100-000377-RS, STANDARD, FD124010HB-NBG(2W7G), CABLE L:250mm, MOLEX 5051-04P P=2.54, CCL, RoHS
EMB-WIFI-KIT11-R20	1T1R wifi module kit for embedded system, IEEE802.11a/b/g/n/ac WiFi with Bluetooth 4.0/3.0+HS, 1 x wifi module, 2 x 350mm RF cable, 2 x Antenna, RoHS
TPM-IN01-R20	20-pin INFINEON TPM Module,S/W managementTool,Firmware V4.4
TANK-801-BT-WES7E-R10	OS Image with Windows® Embedded Standard 7 E for TANK-801 Series, CD-ROM, RoHS

Packing List

1 x Power Adapter (With PSE & ErP Certified)	1 x Chassis Screw
1 x Power Cord	1 x Mounting Bracket

X-ON Electronics

Largest Supplier of Electrical and Electronic Components

Click to view similar products for [Embedded Box Computers](#) category:

Click to view products by [IEI](#) manufacturer:

Other Similar products are found below :

[tBOX312-870-FL-i7-DC](#) [tBOX313-835-FL-RJ-DC](#) [UPOS-3150-R0W0E](#) [ARK-20-S8A1E](#) [R2224WTTYSR](#) [BXNUC9i5QNX](#)
[BXNUC9i5QNX1](#) [BKNUC9V7QNX](#) [BKNUC9V7QNX1](#) [2-A0DF-2001](#) [BKCMB1ABB](#) [BKCMB1ABA](#) [EM3000-3845-8-128-WL-U-1](#)
[TANK-870AI-i5/8G/2A-R10](#) [PRFE21000038](#) [EM5000-I3-8-128-WL-W7-1](#) [EM3000-3845-8-128-WL-W7-1](#) [PRFE21000039](#) [AMOS-825-](#)
[1Q10A1](#) [UPS-EDAI-X70864-U01-DC01](#) [UPX-EDGEI7-A10-1664-F01](#) [MXE-211/M8G](#) [PXIe-3985/M16G](#) [PXIe-3987/M16G/SSD](#) [AIMB-](#)
[T1215DA-00Y0E](#) [AIMB-T12315A-00Y0E](#) [AMAX-5580-54000A](#) [APAX-5580-474AE](#) [ARK-6322-Q0A2E](#) [DS-100GF-S8A1E](#) [DS-100GL-](#)
[S8A1E](#) [EPC-R4680CQ-XAA1E](#) [ESRP-CSS-UNO2484](#) [ITA-1611-10A1E](#) [ITA-1711-10A1E](#) [MIC-720AI-00A1](#) [UNO-247-J1N1AE](#) [UTX-](#)
[3115FS-S6A2E](#) [AMI220AF-4L-7500](#) [ELIT-1200](#) [AIE100-903-FL](#) [eBOX626-311-FL](#) [EBOX671-517-FL-DC](#) [MVS900-511-FL](#) [AMS200](#) [SE-](#)
[92-I7](#) [SI-606](#) [SI-60E](#) [TANK-760-HM86i-i5/4G-R10](#) [BKCM8i7CB8N](#)