

## RS-CS-LS Series

Economical, indispensable tools for a variety of uses in engineering, design, troubleshooting, or service.

These small, rugged substituters can satisfy most requirements.

### Features:

- Direct reading — No fumbling with multiple slide or rotary switches  
The IET family of digital substituters uses convenient side-by-side thumbwheel switches. Simply dial in the desired values and use.
- Standard accuracies of 1%, 0.1%, and 0.05% available.
- Broad choice of standard and optional models.  
A full line of standard substituters satisfies most requirements.
- Direct readings eliminate potential mistakes that come from rotary or slide-switch boxes.
- For easy value readings, ranges are separated by color-coded switches and numbers.
- The units are small, rugged, and portable.
- Combination units, such as Resistance and Capacitance Substituter (RCS-500), are available.

### Options:

- Shielded case with grounding post
- Panel mounting
- Protection fuse

#### See also:

- [Decade box product guide](#)
- [LCR meter product guide](#)

### R-Box

RS Series: Digital Resistance Substituter

Available from 0.01  $\Omega$  to 299,999,999.9  $\Omega$   
(RS-200 Shown)



Available from 1 pF to 999.999 9  $\mu$ F  
(CS-300 Shown)

### C-Box

CS Series: Digital Capacitance Substituter



### L-Box

LS Series: Digital Inductance Substituter

Available from 1  $\mu$ H to 99.999 99 H  
(LS-400 Shown)



### RC-Box

RCS Series: Digital Resistance-Capacitance Substituter

Combines RS and CS units in one box  
(RCS-500 Shown)



### Standard Models

#### RS Series -- Standard Models

Model	RS-200	RS-201	RS-200W	RS-201W	RS-200-2W	RS-201W-2W	RS-RTD	RCS-500	RCS-502
Type	Resistance	Precision Resistance	Wide-Range Resistance	Wide-Range Precision Resistance	High-Power Resistance	High-Power Wide-Range Resistance	RTD Simulator	Resistance/Capacitance	Precision Resistance/Capacitance
Accuracy*	±(1% + 25 mΩ)	±(0.1% + 25 mΩ)	±(1% + 36 mΩ)	±(0.1% + 36 mΩ)**	±(1% + 25 mΩ)	±(0.1% + 36 mΩ)**	±(0.1% + 25 mΩ)	Combines RS-200 and CS-300	Combines RS-201 and CS-301
Decades	7		9		7	9	6		
Range	0 to 9,999,999 Ω		0 - 99,999,999.9 Ω		0 - 9,999,999 Ω	0 - 99,999,999.9 Ω	0-9,999.99 Ω		
Resolution	1 Ω		0.1 Ω		1 Ω	0.1 Ω	0.01 Ω		
Ratings***	0.5 W (rising to 2.5 W at step 9)				2 W (rising to 10 W at step 9)		0.5 W		
Residual	≤0.39 Ω (≤0.056 Ω/decade)		≤0.5 Ω (≤0.056 Ω/decade)		≤0.39 Ω	≤0.5 Ω	≤0.34 Ω		
Components	Metal-film resistors; Manganin wire ≤0.9 Ω								
Mechanical	A		B		A	B	A	C	

#### CS Series -- Standard Models

Model	CS-300	CS-301	CS-301L	CS-300H
Type	Capacitance	Precision Capacitance	Precision, Low Capacitance	High Capacitance
Accuracy*	±(4% + 3 pF)	<10 μF: ±(1% + 3 pF) ≥10 μF: ±(4% + 3 pF)	±(1% + 3 pF)	<100 μF: ±(4% + 3 pF) ≥100 μF: ±6%
Decades	6		7	
Range	0 to 99.999 9 μF		0 - 9.999 999 μF	0 - 999.999 9 μF
Resolution	100 pF		1 pF	100 pF
Ratings***	100 V (25 V for 10 - 100 μF)		100 V	100 V (25 V for 10 - 1000 μF)
Residual	≤42 pF (≤7 pF/decade)		≤49 pF (≤7 pF/decade)	
Components	1-900 pF: mica    0.001 - 0.9 μF: Polypropylene 1-9 μF: Polyester    10-900 μF: Tantalum			
Test Cond.	1 kHz; 1 Vrms; for ≥10 μF: 120 Hz, series model; 23°C			
Mechanical	B			

#### LS Series -- Standard Models

Model	LS-400A	LS-400	LS-400L
Type	Inductance	High Inductance	Low Inductance
Accuracy*	±(2% + 0.5 μH)		
Decades	3	4	6
Range	0 to 999 mH	0 - 9.999 H	0-999.999 mH
Resolution	1 mH	1 mH	1 μH
Frequency Response	See <a href="http://www.ietlabs.com/ls-series-inductance-decade-box.html">http://www.ietlabs.com/ls-series-inductance-decade-box.html</a>		
Residual	≤0.17 Ω; ≤1 μH (≤0.056 Ω/decade)	≤0.23 Ω; ≤1 μH (≤0.056 Ω/decade)	≤0.34 Ω; ≤1.5 μH (≤0.056 Ω/decade)
Components	Toroidal Inductors		
Test Cond.	1 kHz, 0.1 Vrms; series model; 23°C		
Mechanical	B		C

**\*Accuracy:**

After subtraction of residual impedance  
Traceable to SI

**\*\*Accuracy for RS-201W & RS-201W-2W:**

<10 MΩ: as shown above  
≥10 MΩ: 0.2%

**\*\*\*Rating:**

Subject to switch maximum dielectric strength of 750 Vdc peak or 550 Vrms, switching

**Switches:**

10-position thumbwheel switches  
make-before-break

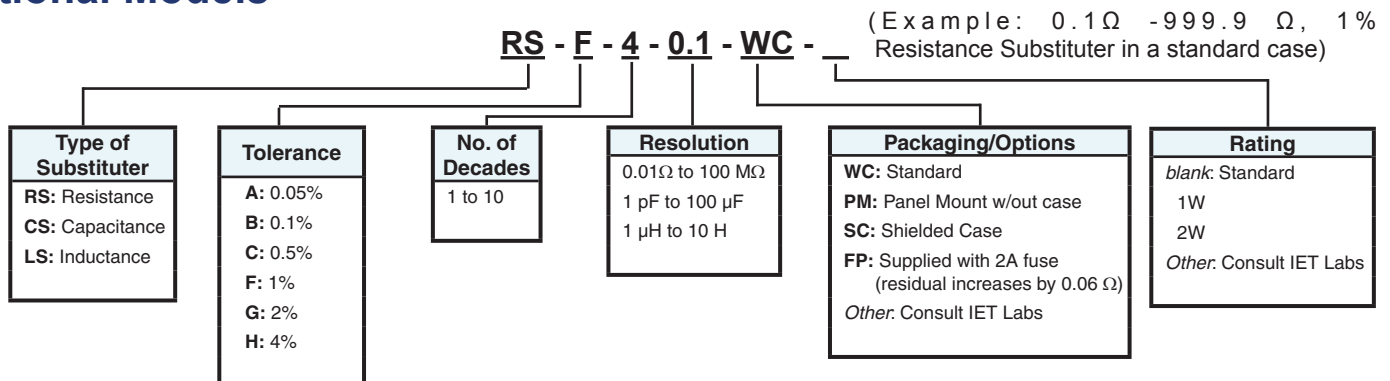
**Maximum switch voltage:**

750 Vdc peak or 550 Vrms, switching

**Mechanical:**

A: 8.1 x 7.9 x 5.6 cm; 184 g (3.2" x 3.1" x 2.2"; 6.5 oz)  
B: 12.1 x 7.9 x 5.6 cm; 235 g (4.7" x 3.1" x 2.2"; 8.3 oz)  
C: 18.8 x 8.4 x 6.4 cm; 410 g (7.4" x 3.3" x 2.5"; 14 oz)

### Optional Models



## **X-ON Electronics**

Largest Supplier of Electrical and Electronic Components

*Click to view similar products for [Decade Boxes](#) category:*

*Click to view products by [IET LABS](#) manufacturer:*

Other Similar products are found below :

[0510-9708-01\(H\)](#) [380400](#) [380405](#) [RS-200](#) [RS-200-SC](#) [CDB-10](#) [RDB-10](#) [RDB-10-NIST](#)