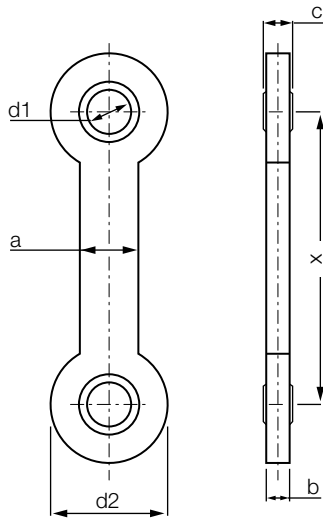


Double joint: EGZM



- Maintenance free, self-lubricating
- Mechanical joining link between 2 components
- Compensation of misalignment errors
- Corrosion-resistant
- Double joint turned 90° available on request



Order key

Type Size

E GZ M -04-25

Dimensional series E

Double joint

Metric

Inner-Ø d1 [mm]

Pitch X



Material:

Housing: **igumid G** ▶ Page 1235

Spherical ball: **iglidur® W300** ▶ Page 121

Other spherical balls on request ▶ Page 693

Technical data and dimensions [mm]

Part No.	Max. static tensile strength (short term)		Max. static tensile strength (long term)		d1 E10	d2	X	b	a	c	Max. pivot angle	Weight [g]
	radial	axial	radial	axial								
	[N]	[N]	[N]	[N]								
EGZM-04-25	1,100	1,300	550	650	04	20	25	4	10	5	32°	3.5
EGZM-04-50	1,100	750	550	375	04	20	50	4	10	5	32°	4.8
EGZM-04-75	1,100	500	550	250	04	20	75	4	10	5	32°	6.1
EGZM-05-25	1,100	1,300	550	650	05	20	25	4	10	6	37°	2.2
EGZM-05-50	1,100	750	550	375	05	20	50	4	10	6	37°	4.9
EGZM-05-75	1,100	500	550	250	05	20	75	4	10	6	37°	6.3
EGZM-06-25	1,100	1,300	550	650	06	20	25	4	10	6	30°	3.4
EGZM-06-50	1,100	750	550	375	06	20	50	4	10	6	30°	4.8
EGZM-06-75	1,100	500	550	250	06	20	75	4	10	6	30°	3.4
EGZM-08-60	3,000	3,500	1,500	1,750	08	30	60	7	15	8	20°	15.2
EGZM-08-100	3,000	1,900	1,500	950	08	30	100	7	15	8	20°	19.5
EGZM-10-60	2,500	3,500	1,250	1,750	10	30	60	7	15	9	25°	15.3
EGZM-10-85	2,500	2,300	1,250	1,150	10	30	85	7	15	9	25°	18.1
EGZM-10-100	2,500	1,900	1,250	950	10	30	100	7	15	9	25°	19.4
EGZM-12-60	2,000	3,500	1,000	1,750	12	30	60	7	15	10	25°	14.7
EGZM-12-100	2,500	1,900	1,000	950	12	30	100	7	15	10	25°	18.8

Spherical ball materials to choose ▶ Page 693



REM:
low-cost



JEM: low
moisture
absorption



J4EM: low-
cost and
low moisture
absorption



J4VEM:
clearance free
preloaded
spherical ball

X-ON Electronics

Largest Supplier of Electrical and Electronic Components

Click to view similar products for [Other Tools](#) category:

Click to view products by [Igus](#) manufacturer:

Other Similar products are found below :

[CR-05FL7--150R](#) [CR-05FL7--698K](#) [899-2-KT46](#) [899-5-KT46](#) [CR-0AFL4--332K](#) [CR-12FP4--260R](#) [5718X-01PD-19RO](#)
[CRCW04021100FRT7](#) [CRCW04021961FRT7](#) [5800-0090](#) [CRCW04024021FRT7](#) [CRCW040254R9FRT7](#) [CRCW0603102JRT5](#) [59065-5](#) [00-8273-RDPP](#) [00-8729-WHPP](#) [593033](#) [593058](#) [593072](#) [593564100](#) [593575](#) [593591](#) [593593](#) [LTLA506SBLAMNBL](#) [CRCW08052740FRT1](#)
[LUC-012S070DSM](#) [LUC-018S070DSP](#) [599-2021-3-NME](#) [599-JJ-2021-03](#) [00-5080-YWPP](#) [5E4750/01-20R0-T/R](#) [LW1A-L1-GD](#) [LW1A-L1-GL](#) [LW1A-P1-GD](#) [LW1L-A1C10V-GL](#) [LW1L-M1C70-A](#) [0202-0173](#) [00-9089-RDPP](#) [CRCW2010331JR02](#) [01-1003W-8/32-10](#) [601-GP-08-KT39](#) [601-JJ-06](#) [601-SPB](#) [601YSY](#) [602-JJ-03](#) [602SPB](#) [602Z](#) [603-JJ-07-FP](#) [603-JJY-04](#) [604J](#)