

Rod ends with male thread: KARM and KALM



Standard design



Design with
metal sleeve (MH)

- Maintenance free, self-lubricating
- High strength under impact loads
- Very high tensile strength for varying loads
- Compensation of misalignment
- Compensation of edge loads
- Resistant to dirt, dust and lint
- Corrosion- and chemical-resistant
- High vibration dampening capacity
- Suitable for rotating, oscillating, and linear movements
- Light weight
- Dimensional series K according to standard
DIN ISO 12240
- Available with metal sleeve for higher torque



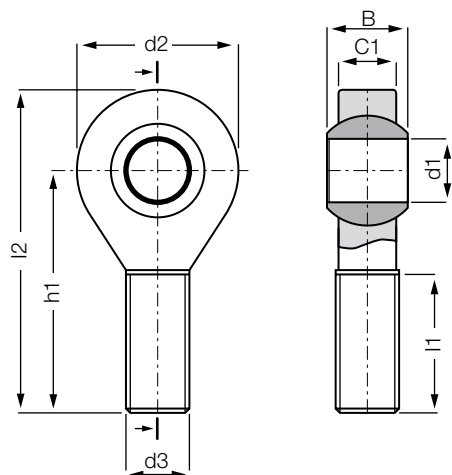
Inch dimensions available

► From page 1183

Technical data

Part No.		Max. static tensile strength		Max. static radial load		Min. thread depth	Max. torque strength	Max. torque through ball		Weight
Right-hand thread	Left-hand thread	Short term [N]	Long term [N]	Short term [N]	Long term [N]	Thread [mm]	Outer threading [Nm]	without MH [Nm]	with MH [Nm]	[g]
KARM-05	KALM-05	800	400	80	40	13	0.4	5	12	2.7
KARM-06	KALM-06	1,000	500	100	50	15	0.5	10	15	3.9
KARM-08	KALM-08	1,700	850	200	100	18	2.0	12	40	7.1
KARM-10	KALM-10	2,500	1,250	300	150	20	5.0	20	50	12.5
KARM-10 F	KALM-10 F	2,500	1,250	300	150	20	3.0	20	50	12.5
KARM-12	KALM-12	2,700	1,350	400	200	22	6.0	30	70	18
KARM-12 F	KALM-12 F	2,700	1,350	400	200	22	6.0	30	70	18
KARM-14	KALM-14	3,400	1,700	700	350	25	12.0	35	75	25
KARM-16	KALM-16	3,900	1,950	800	400	26	17.0	40	110	34
KARM-16 F	KALM-16 F	3,900	1,950	800	400	26	17.0	40	110	34
KARM-18	KALM-18	4,200	2,100	1,000	500	29	20.0	45	150	45.9
KARM-20	KALM-20	6,000	3,000	1,300	650	32	25.0	55	200	58
KARM-20 M20	KALM-20 M20	6,000	3,000	1,300	650	32	25.0	55	200	58
KARM-22	KALM-22	7,200	3,600	1,500	750	34	25.0	60	–	86.2
KARM-25	KALM-25	7,500	3,750	1,900	950	39	45.0	65	–	99.1
KARM-30	KALM-30	8,800	4,400	2,300	1,150	46	85.0	70	–	160.4

Rod ends with male thread: KARM and KALM



Order key

Type	Size	Options
------	------	---------

K A ... M - 05

Dimensional series K	Housing (male thread)	Thread	Metric	Inner-Ø [mm]
----------------------	-----------------------	--------	--------	--------------

Thread

L = left-hand thread

R = right-hand thread



Material:

Housing: **igumid G** ▶ Page 1235

Spherical ball: **iglidur® W300** ▶ Page 121

Dimensions [mm]

Part No.		d1	d2	d3	C1	B		h1	l1	l2	Max. pivot angle
Right-hand thread	Left-hand thread	E10				without MH	with MH				
KARM-05	KALM-05	05	18	M05	6.0	8	8.2	33	19	42	30°
KARM-06	KALM-06	06	20	M06	7.0	9	9.2	36	21	46	29°
KARM-08	KALM-08	08	24	M08	9.0	12	12.2	42	25	55	25°
KARM-10	KALM-10	10	30	M10	10.5	14	14.2	48	28	63	25°
KARM-10 F	KALM-10 F	10	30	M10 x 1.25	10.5	14	14.2	48	28	63	25°
KARM-12	KALM-12	12	34	M12	12.0	16	16.2	54	32	71	25°
KARM-12 F	KALM-12 F	12	34	M12 x 1.25	12.0	16	16.2	54	32	71	25°
KARM-14	KALM-14	14	38	M14	13.5	19	19.2	61	36	79	25°
KARM-16	KALM-16	16	42	M16	15.0	21	21.2	66	37	88	23°
KARM-16 F	KALM-16 F	16	42	M16 x 1.5	15.0	21	21.2	66	37	88	23°
KARM-18	KALM-18	18	46	M18 x 1.5	16.5	23	23.2	72	41	96	23°
KARM-20	KALM-20	20	50	M20 x 1.5	18.0	25	25.2	78	45	104	23°
KARM-20 M20	KALM-20 M20	20	50	M20 x 2.5	18.0	25	25.2	78	45	104	23°
KARM-22	KALM-22	22	56	M22 x 1.5	20.0	28	–	84	48	112	22°
KARM-25	KALM-25	25	61	M24 x 2.0	22.0	31	–	95	55	126	22°
KARM-30	KALM-30	30	71	M30 x 2.0	25.0	37	–	112	66	147	22°

For rod ends with **metal insert** please add **MH** to the part number. Example: KARM-10 **MH** (Inner-Ø: 10 mm).

X-ON Electronics

Largest Supplier of Electrical and Electronic Components

Click to view similar products for [Mounting Fixings](#) category:

Click to view products by [Igus](#) manufacturer:

Other Similar products are found below :

[5912235-2](#) [007310](#) [007541](#) [6-141-P](#) [620HA038NF09](#) [620HA038NF11](#) [CTJ420E028-513](#) [M81714/60-12-01](#) [M81714/60-22-01](#) [L/C](#)
[MA1EAF1200](#) [70-584649-01P](#) [71-074914-006](#) [71-215091-8S](#) [712HA170B23128-N](#) [71-344699-4S](#) [71-441549-19S](#) [71-441864-5S](#) [71-](#)
[490451-4H](#) [EX-13-3-B-16-325PN](#) [75-69116-8S](#) [75-69211-3P](#) [75-69220-27S](#) [75-69224-5S](#) [75-69614-2S](#) [770-006A109](#) [770-006A109R](#) [770-](#)
[006A207](#) [770-006A208W1](#) [770-006A209](#) [770-006A306](#) [770-006A703W1](#) [770-006A704](#) [770-006A704W1](#) [770-006A705](#) [770-006A706](#)
[770-006A706W1](#) [770-006A707](#) [770-006A709](#) [770-007A203](#) [770-007A203W1](#) [770-007A204W1](#) [770-007A207W1](#) [770-007A703](#) [770-](#)
[007A704W1](#) [770-007A706](#) [770-007A707W1](#) [770-010Y208](#) [770-010Y308](#) [770-010Y705](#) [770-010Y706](#)