

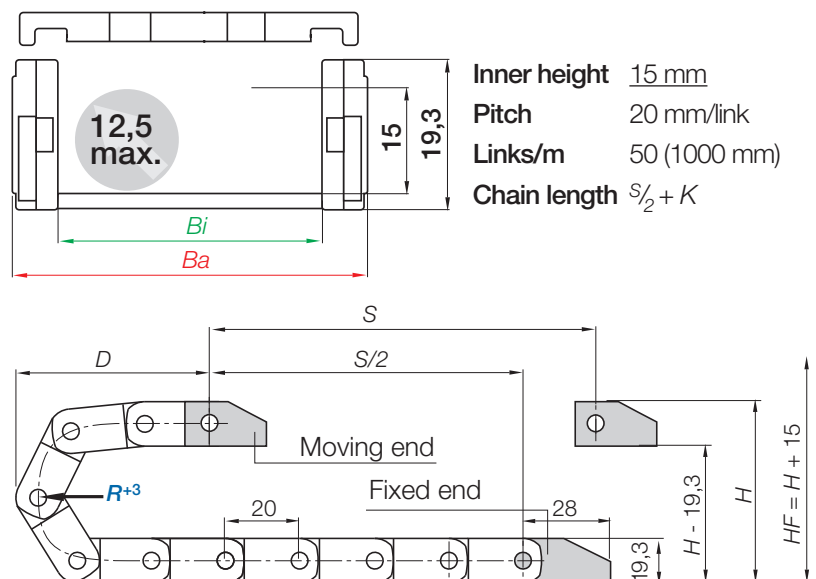
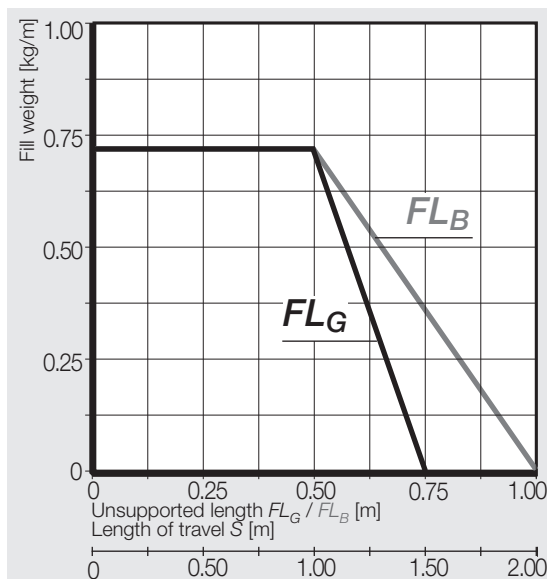


e-chain® | Series 09 | Zip-open along outer radius

e-chain® zip-open along outer radius	<i>Bi</i> [mm]	<i>Ba</i> [mm]	<i>R</i> Bending radii [mm]	Weight [kg/m]
09. 10 .R.0	10	18,2	028 038 048	≈ 0,21
09. 16 .R.0	16	24,2	028 038 048	≈ 0,24
09. 20 .R.0	20	28,2	028 038 048	≈ 0,25
09. 30 .R.0	30	38,2	028 038 048	≈ 0,28
09. 40 .R.0	40	48,2	028 038 048	≈ 0,31
09. 50 .R.0	50	58,2	028 038 048	≈ 0,34

Supplement Part No. with required radius (*R*). Example: 09.40.048.0

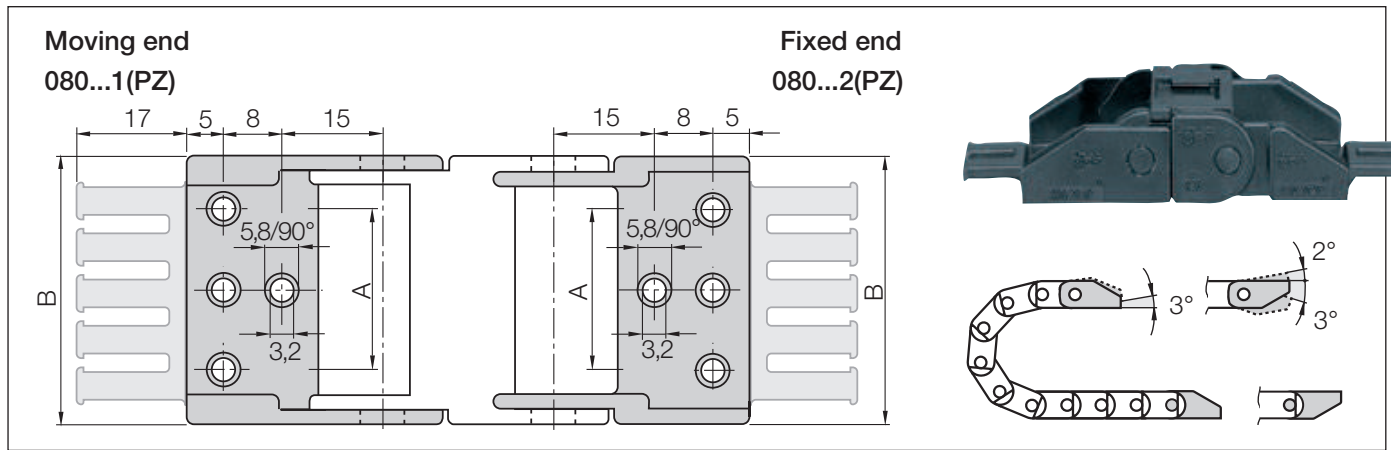
Dimensions



<i>R</i>	028	038	048
<i>H</i>	75	95	115
<i>D</i>	68	78	88
<i>K</i>	130	160	195

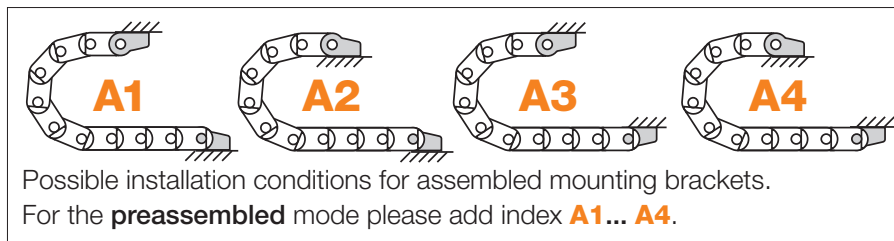
The required clearance height: $H_F = H + 15$ mm (with 0,3 kg/m fill weight)

Mounting brackets, polymer one-piece | locking | More features ► www.igus.eu/09



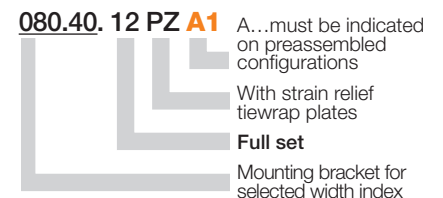
Width Index	Standard	Part No. full set with tie-wrap plates	Part No. full set without tie-wrap plates	Dim. A [mm]	Dim. B [mm]	Number of teeth
10.	►	080.10. 12PZ	080.10. 12	-	18,2	1
16.	►	080.16. 12PZ	080.16. 12	-	24,2	2
20.	►	080.20. 12PZ	080.20. 12	-	28,2	2
30.	►	080.30. 12PZ	080.30. 12	22	38,2	3
40.	►	080.40. 12PZ	080.40. 12	32	48,2	4
50.	►	080.50. 12PZ	080.50. 12	42	58,2	5

Drilling pattern for width index: 080.10. - 080.20. center bores only / 080.30. - 080.50. all bores (see figure above)

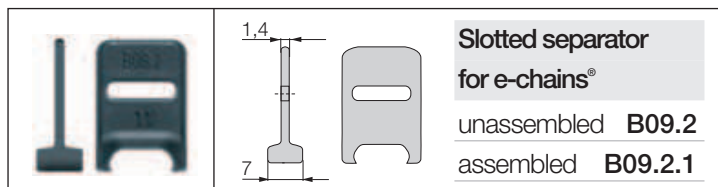


Possible installation conditions for assembled mounting brackets. For the **preassembled** mode please add index **A1... A4**.

Part No. structure

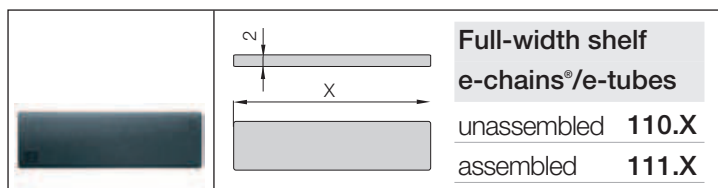


Interior separation



Slotted separator B09.2

Is used when vertical separation is required. Due to its slot, it allows basic vertical/horizontal shelving arrangements.



Full-width shelf 110.X

This option makes sense in applications with many thin cables with similar diameters. For a consequent subdivision.

Full-width shelves

Width X [mm]	unassembled	assembled	Width X [mm]	unassembled	assembled	Width X [mm]	unassembled	assembled
016	110.16	111.16	030	110.30	111.30	050	110.50	111.50
020	110.20	111.20	040	110.40	111.40			



X-ON Electronics

Largest Supplier of Electrical and Electronic Components

Click to view similar products for [Cable Mounting & Accessories](#) category:

Click to view products by [Iigus](#) manufacturer:

Other Similar products are found below :

[8945](#) [8950](#) [8961](#) [582603-1](#) [CXA-0069](#) [D-150-0175CS2902](#) [70.060.1628.0](#) [770-1102](#) [770-1204](#) [770-1205-10](#) [770-1301-10](#) [770-1306](#) [770-1422](#) [770-1602](#) [770-1603](#) [770-1604](#) [770-1607](#) [790-1002](#) [809090N001](#) [843188-000](#) [843459N001](#) [8666](#) [PVC10512-BLACK-500](#) [PVC1056-BLACK-500](#) [1301800416](#) [1300830184](#) [1300830729](#) [1302000074](#) [1302261315](#) [APA18-AK](#) [MSK-0001](#) [1-787307-1](#) [1868](#) [HP-6N](#) [C-202-C](#) [CA7308-000](#) [229408-1](#) [KC-201](#) [8949](#) [8952](#) [8S23-75FR-CS8184](#) [2684](#) [9648](#) [3089](#) [A72821-000](#) [AA401](#) [173506-000](#) [1823](#) [2057](#) [2109](#)