



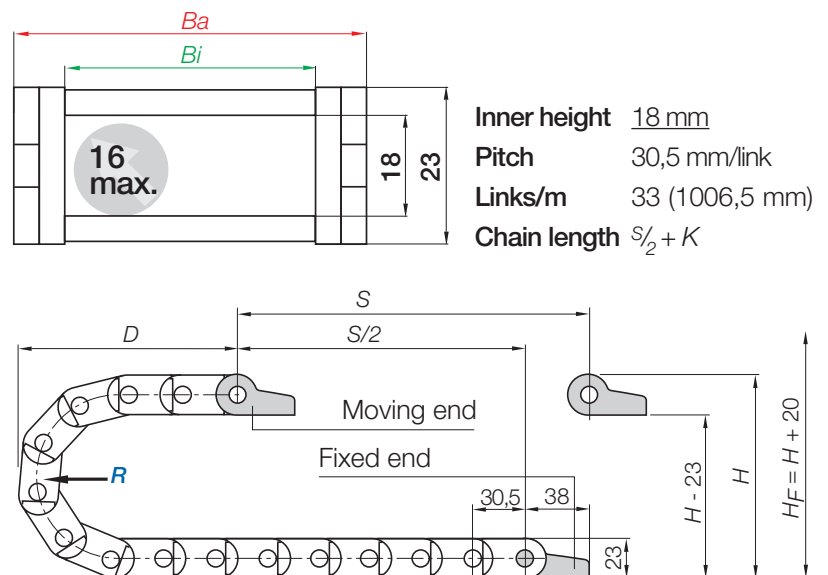
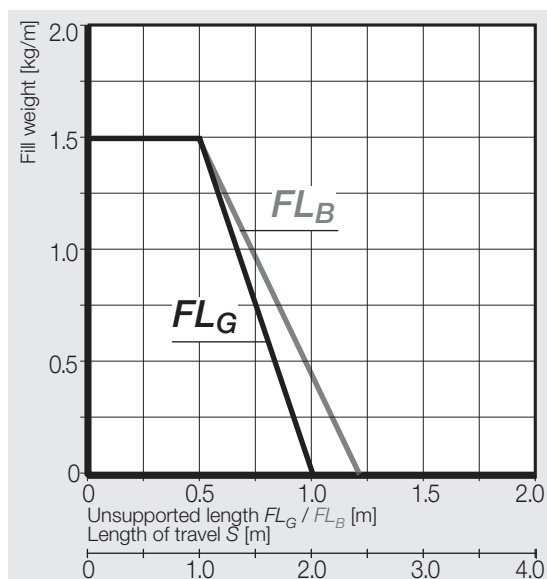
Series 10 | One-piece, non snap-open e-chain®

e-chain® non snap-open	<i>Bi</i> [mm]	<i>Ba</i> [mm]	<i>R</i> Bending radii [mm]	Weight [kg/m]
10. 015 .R.0	15	26	028 038 048 075 100 110 125 145 180	≈ 0,35
10. 025 .R.0	25	36	028 038 048 075 100 110 125 145 180	≈ 0,40
10. 038 .R.0	38	49	028 038 048 075 100 110 125 145 180	≈ 0,46
10. 050 .R.0	50	61	028 038 048 075 100 110 125 145 180	≈ 0,52
10. 5 .R.0	63	76	028 038 048 075 100 110 125 145 180	≈ 0,63
10. 6 .R.0	80	94	028 038 048 075 100 110 125 145 180	≈ 0,70
10. 7 .R.0	100	113	028 038 048 075 100 110 125 145 180	≈ 0,76

Before using this Series on long travels please consult igus®.

Supplement Part No. with required radius (*R*). Example: 10.025.038.0

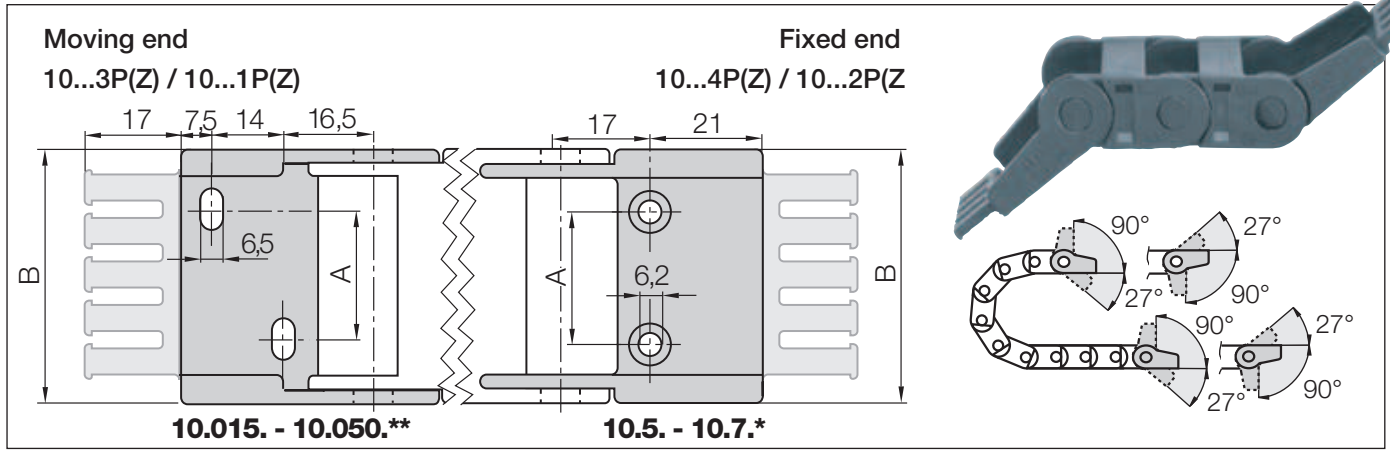
Dimensions



<i>R</i>	028	038	048	075	100	110	125	145	180
<i>H</i>	79	99	119	173	223	243	273	313	383
<i>D</i>	85	95	105	132	157	167	182	202	237
<i>K</i>	150	185	215	300	380	410	455	520	630

The required clearance height: $H_F = H + 20$ mm (with 0,5 kg/m fill weight)

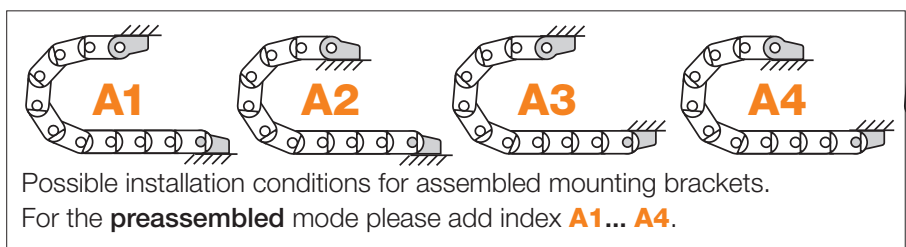
Mounting brackets, polymer one-piece | pivoting | locking



Width Index	Standard	Part No. full set pivoting:		Part No. full set locking:		Dim. A [mm]	Dim. B [mm]	Number of teeth
		with tie-wrap plates	without tie-wrap plates	with tie-wrap plates	without tie-wrap plates			
015.	▶	1015.34PZ	1015.34P	1015.12PZ	1015.12P	–	25,5	2
025.	▶	1025.34PZ	1025.34P	1025.12PZ	1025.12P	10	35,5	3
038.	▶	1038.34PZ	1038.34P	1038.12PZ	1038.12P	23	48,5	4
050.	▶	1050.34PZ	1050.34P	1050.12PZ	1050.12P	35	60,5	5
5.	▶	105. 34PZ	105. 34P	105. 12PZ	105. 12P	48	75	6
6.	▶	106. 34PZ	106. 34P	106. 12PZ	106. 12P	65	92	8
7.	▶	107. 34PZ	107. 34P	107. 12PZ	107. 12P	85	112	10

** Drilling pattern for width index: **15.015. - 15.050.** see drawing left. Each valid for Moving end and Fixed end

* Drilling pattern for width index: **15.5 - 15.7.** see drawing right. Each valid for Moving end and Fixed end

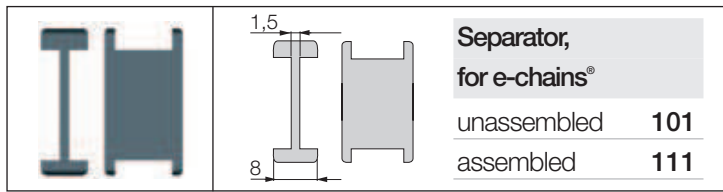


Part No. structure

1025. 34 PZ A1

- A... must be indicated on preassembled configurations
- With strain relief tie-wrap plates
- Full set pivoting**
- Mounting bracket for selected width index

Interior separation



Separator 101

For a simple vertical subdivision on e-chains®. Separators can be arranged anywhere in the e-chain® cross section.
Interior separation for Series 10.015.R.0 not possible!

X-ON Electronics

Largest Supplier of Electrical and Electronic Components

Click to view similar products for [Cable Mounting & Accessories](#) category:

Click to view products by [Iigus](#) manufacturer:

Other Similar products are found below :

[8945](#) [8950](#) [8961](#) [582603-1](#) [CXA-0069](#) [D-150-0175CS2902](#) [70.060.1628.0](#) [770-1102](#) [770-1204](#) [770-1205-10](#) [770-1301-10](#) [770-1306](#) [770-1422](#) [770-1602](#) [770-1603](#) [770-1604](#) [770-1607](#) [790-1002](#) [809090N001](#) [843188-000](#) [843459N001](#) [8666](#) [PVC10512-BLACK-500](#) [PVC1056-BLACK-500](#) [1301800416](#) [1300830184](#) [1300830729](#) [1302000074](#) [1302261315](#) [APA18-AK](#) [MSK-0001](#) [1-787307-1](#) [1868](#) [HP-6N](#) [C-202-C](#) [CA7308-000](#) [229408-1](#) [KC-201](#) [8949](#) [8952](#) [8S23-75FR-CS8184](#) [2684](#) [9648](#) [3089](#) [A72821-000](#) [AA401](#) [173506-000](#) [1823](#) [2057](#) [2109](#)