

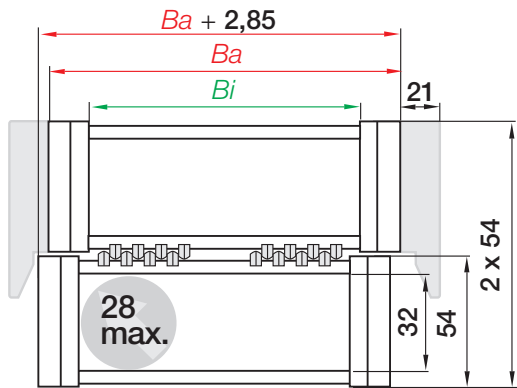
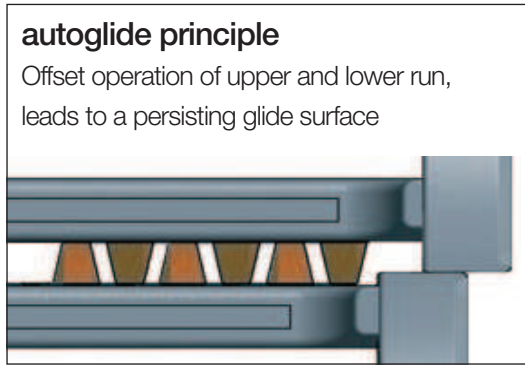
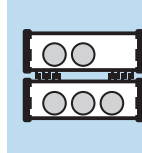
Series E4.32AG | openable along both radii, crossbars every link | autoglide crossbars along the inner radius

Part No. e-chain®	<i>Bi</i> [mm]	<i>Ba</i> [mm]	<i>R</i> Available bending radii [mm]	Weight [kg/m]	Glide wing single part	Floor guide single part
E4.32.112.R.0.AG.NC	112	136	100 125 150 175 200 220 250 300	2,106	AG.280.OF	AG.380.BF
E4.32.12.R.0.AG.NC	125	148	100 125 150 175 200 220 250 300	2,176	AG.280.OF	AG.380.BF
E4.32.15.R.0.AG.NC	150	173	100 125 150 175 200 220 250 300	2,343	AG.280.OF	AG.380.BF
E4.32.17.R.0.AG.NC	168	191	100 125 150 175 200 220 250 300	2,444	AG.280.OF	AG.380.BF
E4.32.20.R.0.AG.NC	200	223	100 125 150 175 200 220 250 300	2,657	AG.280.OF	AG.380.BF
E4.32.262.R.0.AG.NC	262	286	100 125 150 175 200 220 250 300	3,050	AG.280.OF	AG.380.BF

More widths upon request, please consult igus® for delivery time.

Supplement Part No. with required radius (R). Example: **E4.32.15.150.0.AG.NC**

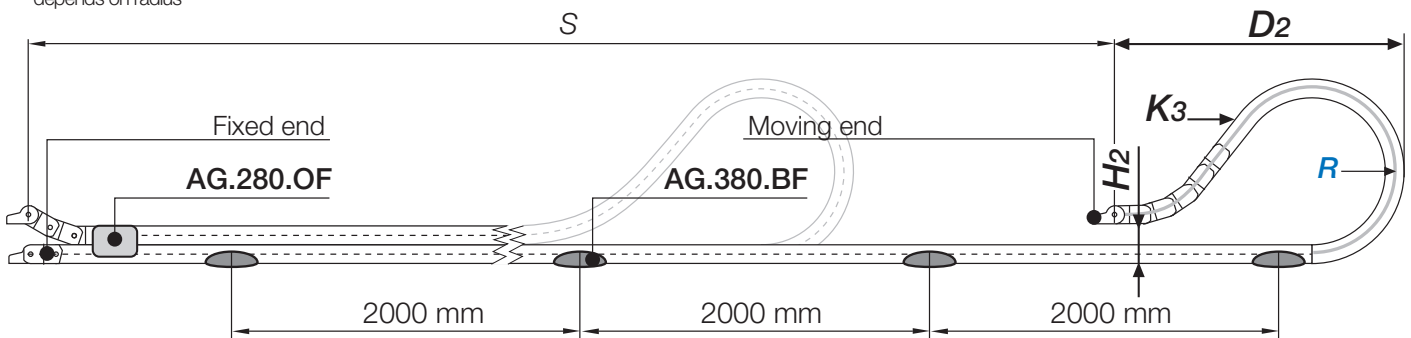
For autoglide e-chains® with assembled glide wings please add index **.OF** e.g. **E4.32.15.150.0.AG.OF.NC**



Inner height 32 mm
Pitch 56 mm/link
Links/m 18 (1008 mm)
Chain length $S + K_3$

Gliding applications | Long travels up to max. 60 m | Fill weight* 5,0 - 7,0 kg/m

*depends on radius



Note: We recommend to realize the engineering of such a plant by our technicians.
In case of travels <10 m we recommend an unsupported e-chain®.

R	100	125	150	175	200	220	250	300
H_2	166	166	166	166	166	166	166	166
D_2	370	470	500	655	770	900	930	1100
K_3	840	1064	1232	1568	1848	2072	2240	2688

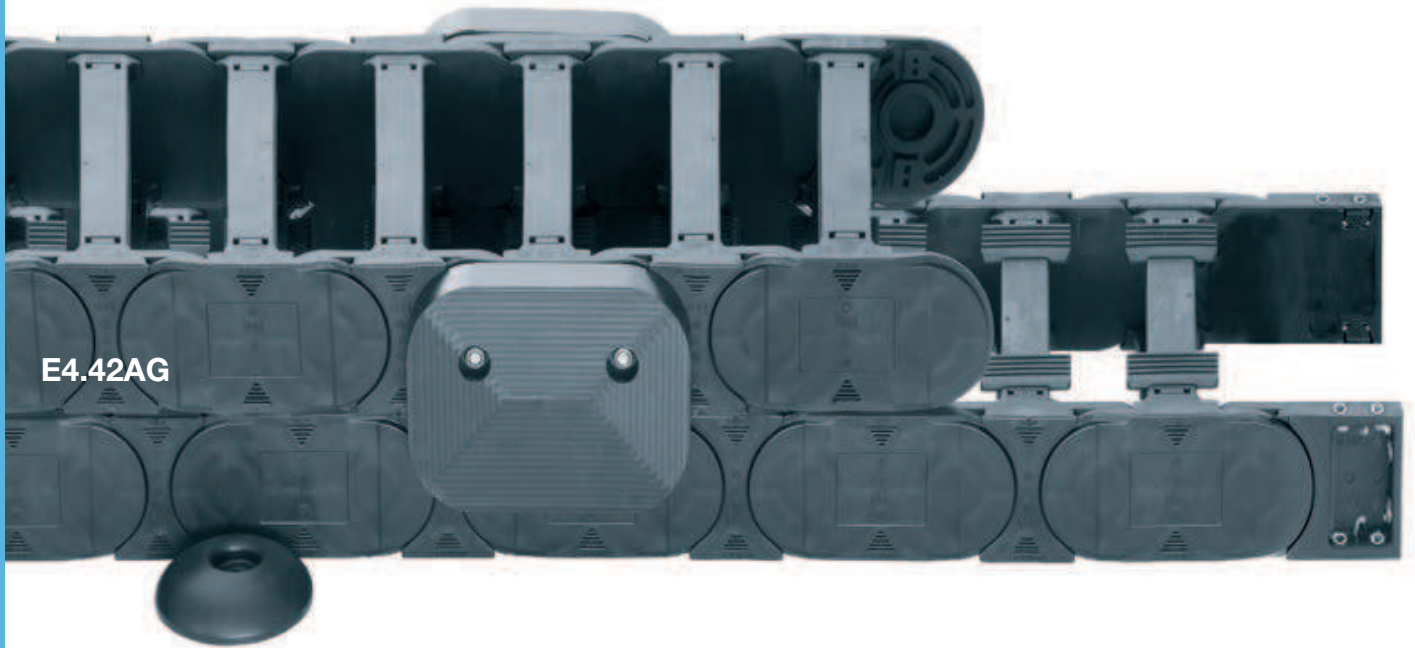
Accessories | More information ► www.igus.eu/E4.32AG



Optimized, cable-friendly interior separation program



Pivoting KMA mounting bracket with all-sides attachment



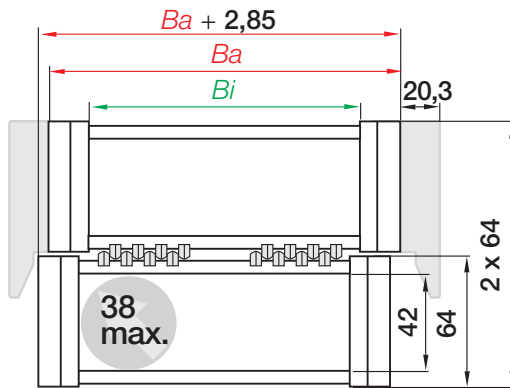
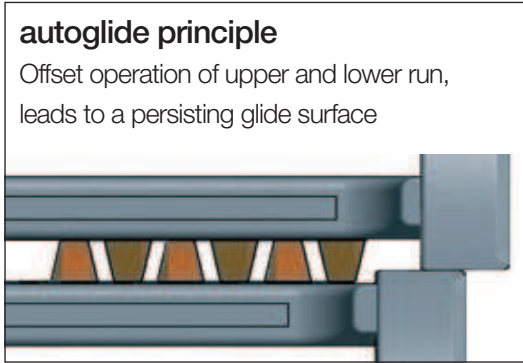
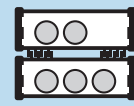
Series E4.42AG | openable along both radii, crossbars every link | autoglide crossbars along the inner radius

Part No. e-chain®	<i>Bi</i> [mm]	<i>Ba</i> [mm]	<i>R</i> Available bending radii [mm]	Weight [kg/m]	Glide wing single part	Floor guide single part
E4.42.112.R.0.AG.NC	112	139	125 150 160 175 200 250 300 350	2,372	AG.380.OF	AG.380.BF
E4.42.125.R.0.AG.NC	125	151	125 150 160 175 200 250 300 350	2,430	AG.380.OF	AG.380.BF
E4.42.150.R.0.AG.NC	150	176	125 150 160 175 200 250 300 350	2,569	AG.380.OF	AG.380.BF
E4.42.175.R.0.AG.NC	168	194	125 150 160 175 200 250 300 350	2,654	AG.380.OF	AG.380.BF
E4.42.200.R.0.AG.NC	200	226	125 150 160 175 200 250 300 350	2,831	AG.380.OF	AG.380.BF
E4.42.262.R.0.AG.NC	262	289	125 150 160 175 200 250 300 350	3,159	AG.380.OF	AG.380.BF

More widths upon request, please consult igus® for delivery time.

Supplement Part No. with required radius (R). Example: **E4.42.15.150.0.AG.NC**

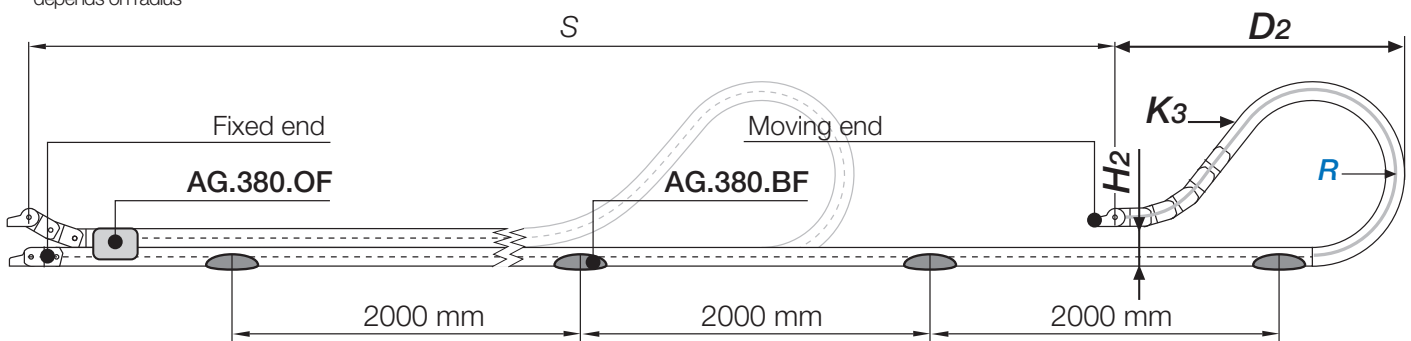
For autoglide e-chains® with assembled glide wings please add index **.OF** e.g. **E4.42.15.150.0.AG.OF.NC**



Inner height 42 mm
Pitch 67 mm/link
Links/m 15 (1005 mm)
Chain length $S + K_3$

Gliding applications | Long travels up to max. 70 m | Fill weight* 4,0 - 9,6 kg/m

*depends on radius



Note: We recommend to realize the engineering of such a plant by our technicians.

In case of travels <10 m we recommend an unsupported e-chain®.

R	125	150	160	175	200	250	300	350
H_2	186	186	186	186	186	186	186	186
D_2	475	570	623	670	780	1030	1150	1500
K_3	1139	1340	1474	1608	1876	2412	2747	3551

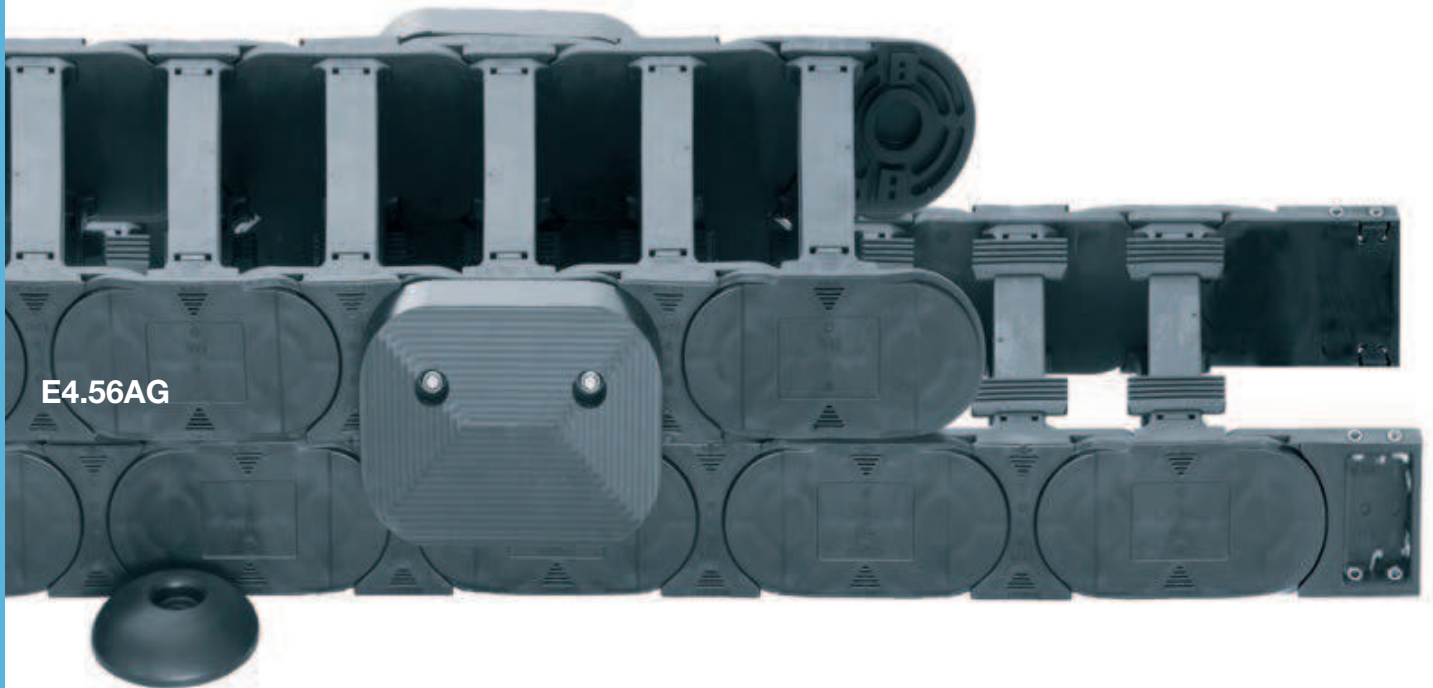
Accessories | More information ► www.igus.eu/E4.42AG



Optimized, cable-friendly interior separation program



Pivoting KMA mounting bracket with all-sides attachment



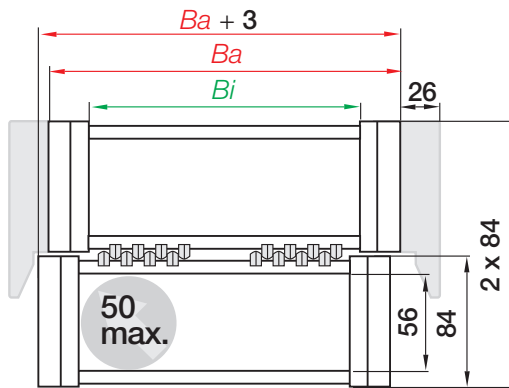
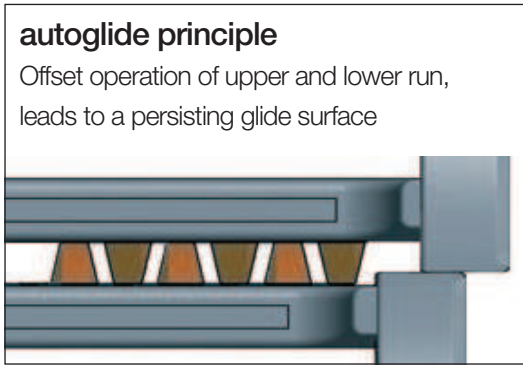
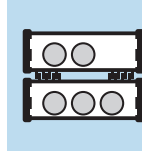
Series E4.56AG | openable along both radii, crossbars every link | autoglide crossbars along the inner radius

Part No. e-chain®	<i>Bi</i> [mm]	<i>Ba</i> [mm]	<i>R</i> Available bending radii [mm]	Weight [kg/m]	Glide wing single part	Floor guide single part
E4.56.15. <i>R</i> .0.AG.NC	150	184	150 175 200 240 250 300 350 400 450 500	4,109	AG.400.OF	AG.380.BF
E4.56.21. <i>R</i> .0.AG.NC	212	247	150 175 200 240 250 300 350 400 450 500	4,567	AG.400.OF	AG.380.BF
E4.56.25. <i>R</i> .0.AG.NC	250	284	150 175 200 240 250 300 350 400 450 500	4,896	AG.400.OF	AG.380.BF

More widths upon request, please consult igus® for delivery time.

Supplement Part No. with required radius (R). Example: **E4.56.15.150.0.AG.NC**

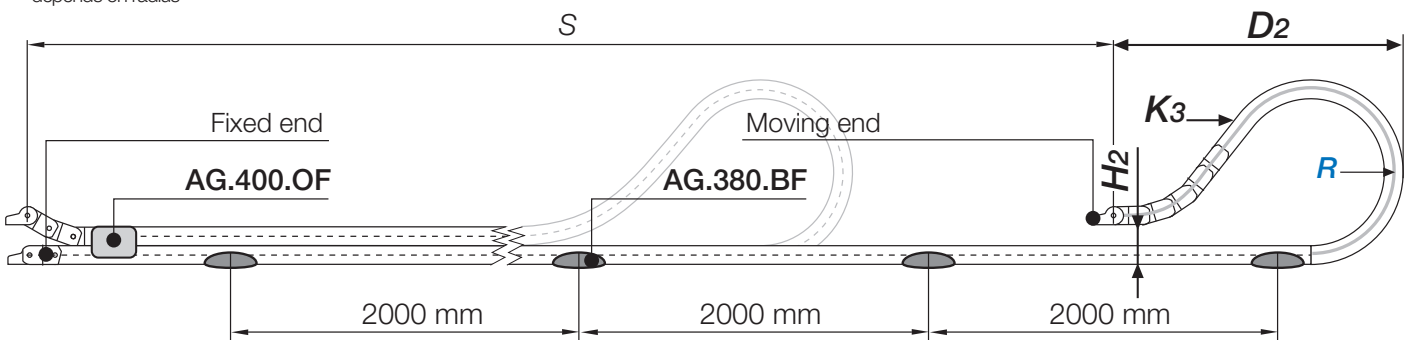
For autoglide e-chains® with assembled glide wings please add index **.OF** e.g. **E4.56.15.150.0.AG.OF.NC**



Inner height 56 mm
Pitch 91 mm/link
Links/m 11 (1001 mm)
Chain length $S + K_3$

Gliding applications | Long travels up to max. 80 m | Fill weight* 6,4 - 12 kg/m

*depends on radius



Note: We recommend to realize the engineering of such a plant by our technicians.

In case of travels <10 m we recommend an unsupported e-chain®.

R	150	175	200	240	250	300	350	400	450	500
H_2	266	266	266	266	266	266	266	266	266	266
D_2	450	580	710	900	980	1180	1440	1530	1700	1850
K_3	1092	1456	1729	2184	2366	2821	3276	3640	4095	4550

Accessories | More information ► www.igus.eu/E4.56AG



Optimized, cable-friendly interior separation program



Pivoting KMA mounting bracket with all-sides attachment

Smooth running:
Offset operation of
upper and lower run

Safe on track:
Clip-on glide wing
feeds the e-chain®

Practical:
Traversable
floor guides

Secure guidance:
comb style auto
glide crossbars

Universal:
Mounting bracket
with strain relief



Self-guiding e-chains® for System E2/000 - autoglide Version 02

Interfering guide troughs for long travels can be dispensed with when using the autoglide system. Self-guiding e-chains® glide safely on top of each other for up to 70 metres. The system has now been extended to the igus® E2/000 and further improved. The autoglide crossbars ensure even longer life. A plug-in glide wing ensures safe e-chain® threading over the first few metres of travel. The traversable eccentric floor guides are fastened to the subsurface every 2 metres.

- Travels up to 70 m without guide trough at speeds up to 2.0 m/s
- Very compact, no interfering trough in the travel or work area
- Fast installation times for long travels
- Snap-open in the inner radius
- Also for "half tube" fully enclosed in the outer radius
- Clip-on glide wings, safe threading in of the e-chain®
- Drive-over floor guide

Typical industries and applications

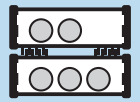
- Greenhouses ● Storage and retrieval systems ● Conveyor systems
- Indoor cranes ● Handling ● And many other "long travels"






Find a video online

► www.igus.eu/safetrough






Technical data

	Speed max. gliding	max. 2,0 [m/s]
	Acceleration max. gliding	max. 1,0 [m/s ²]
	Material - permitted temperature °C, igumid G	-40° up to +120° C
	Flammability class, igumid G	VDE 0304 IIC UL94 HB

Order example | Order key

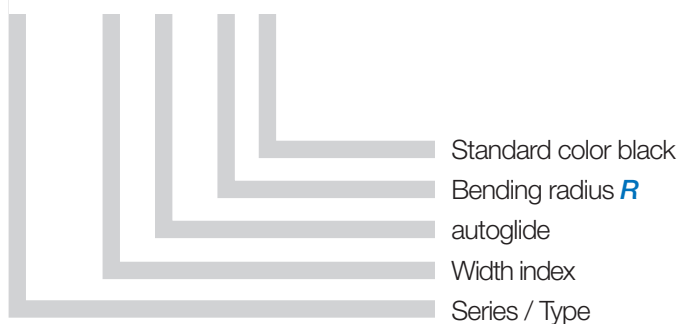
 **Order example for complete e-chain® Series 2400AG (15 m), color black, with mounting brackets and interior separation:**

e-chain® (15 m)	Please indicate e-chain® length or number of links: 15 m or 347 links	2400.05AG.100.0
+ Glide wing	2 glide wings are required per e-chain®	AG.2400.OF
+ Floor guides	8 pieces (2 units every 2 m from the half of the travel)	AG.380.BF

Order text: 15 m 2400.05AG.100.0 + AG.2400.OF + AG.380.BF + Mounting bracket + Interior separation (optional)

Note: We require one glide wing per e-chain® to the left and right at the position where the upper run first meets the lower run.

 **Order key**
2400.05AG.100.0



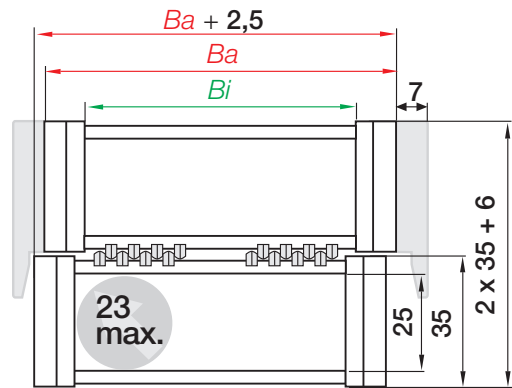
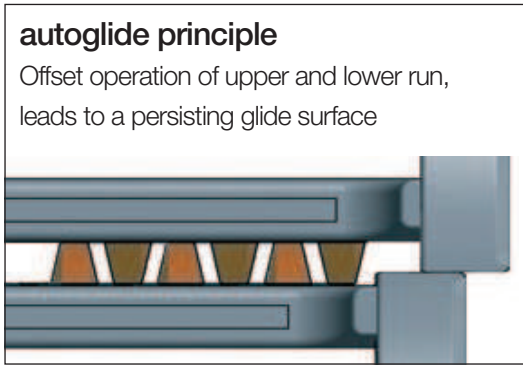
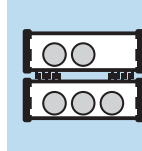


2400AG | snap-open along inner radius | Crossbars with molded-on autoglide grooves

Part No. e-chain®	<i>Bi</i> [mm]	<i>Ba</i> [mm]	<i>R</i> Available bending radii [mm]	Weight [kg/m]	Glide wing single part	Floor guide single part
2400. 05 AG.R.0	57	73	075 100 125 150 175 200 225 250	1,00	AG.2400.OF	AG.380.BF
2400. 07 AG.R.0	77	93	075 100 125 150 175 200 225 250	1,10	AG.2400.OF	AG.380.BF

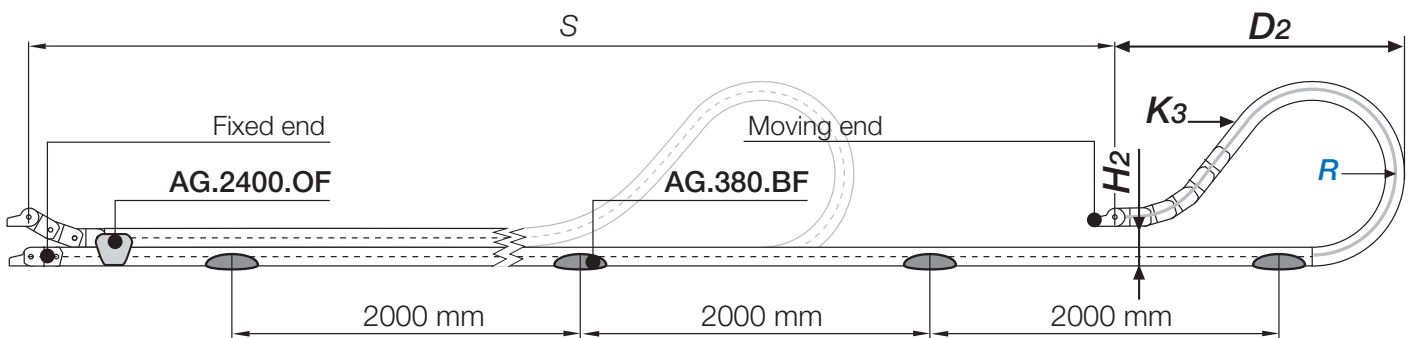
More widths upon request, please consult igus® for delivery time.

Supplement Part No. with required radius (R). Example: 2400.05AG.100.0



Inner height 25 mm
Pitch 46 mm/link
Links/m 22 (1012 mm)
Chain length $S + K_3$

Gliding applications | Long travels up to max. 40 m | Fill weight 2,0 kg/m



Note: We recommend to realize the engineering of such a plant by our technicians.
In case of travels between 4 and 10 m we recommend an unsupported e-chain®.

R	075	100	125	150	175	200	225	250
H_2	150	100	100	100	100	100	100	100
D_2	162	380	440	590	755	950	1040	1130
K_3	598	920	1058	1426	1794	2208	2438	2668

Accessories | More information ► www.igus.eu/2400AG



Optimized, cable-friendly interior separation program



Pivoting mounting brackets for gliding applications



KMA mounting bracket with all-sides attachment

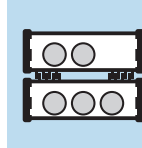


2600AG | snap-open along inner radius | Crossbars with molded-on autoglide grooves

Part No. e-chain®	<i>Bi</i> [mm]	<i>Ba</i> [mm]	<i>R</i> Available bending radii [mm]	Weight [kg/m]	Glide wing single part	Floor guide single part
2600. 05 AG.R.0*	50	66	075 100 125 150 175 200 250	1,27	AG.2600.OF	AG.380.BF
2600. 07 AG.R.0*	75	91	075 100 125 150 175 200 250	1,40	AG.2600.OF	AG.380.BF

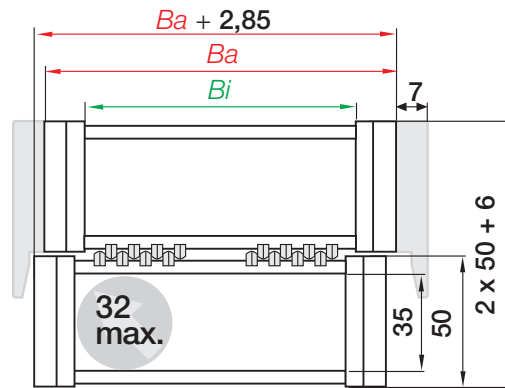
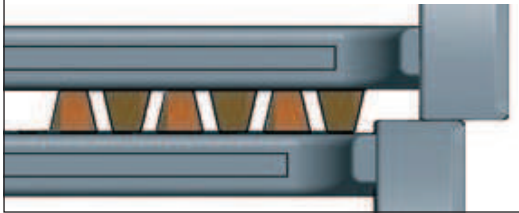
*Width and more widths upon request, please consult igus® for delivery time.

Supplement Part No. with required radius (R). Example: 2600.05AG.100.0



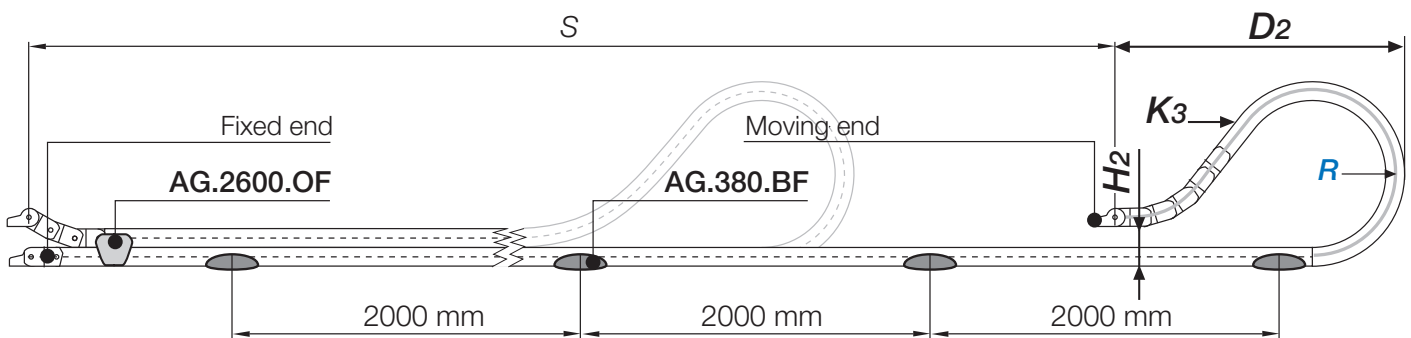
autoglide principle

Offset operation of upper and lower run, leads to a persisting glide surface



Inner height 35 mm
 Pitch 56 mm/link
 Links/m 18 (1008 mm)
 Chain length $S + K_3$

Gliding applications | Long travels up to max. 60 m | Fill weight 2,5 kg/m



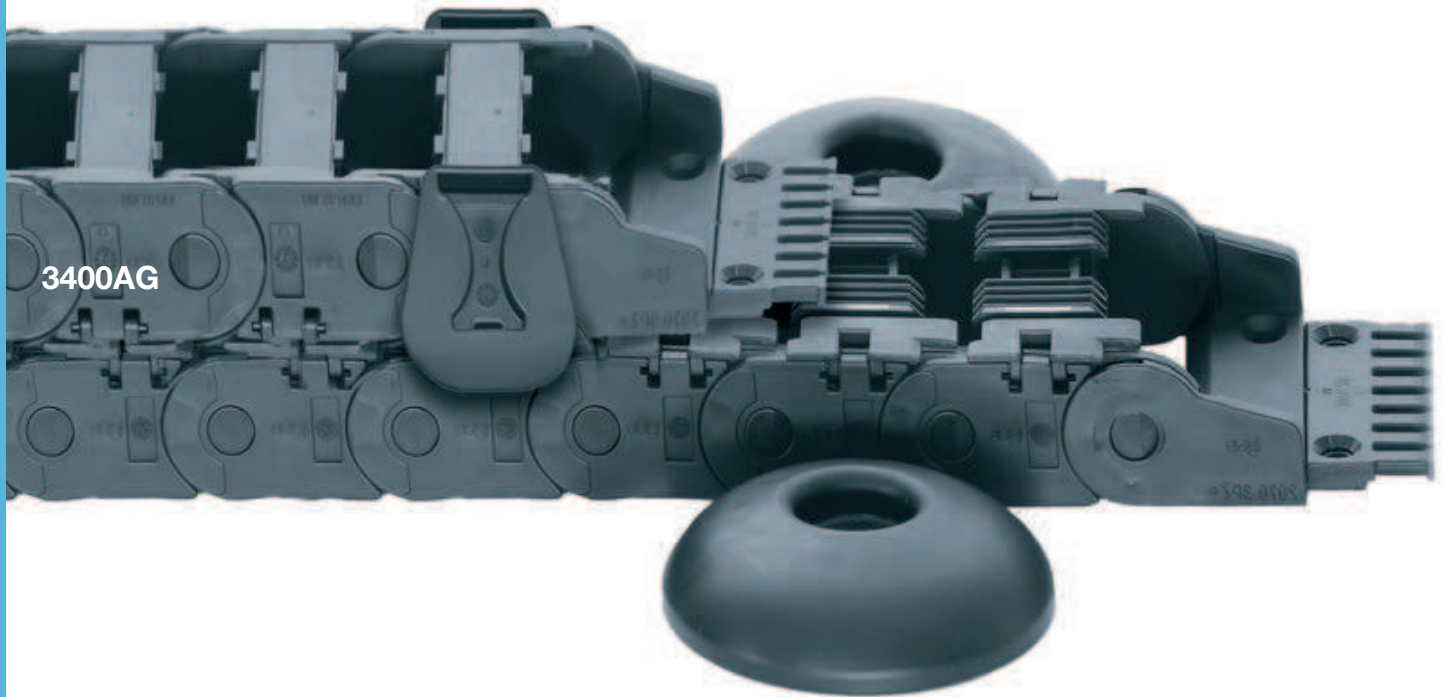
Note: We recommend to realize the engineering of such a plant by our technicians. In case of travels between 5 and 10 m we recommend an unsupported e-chain®.

R	075	100	125	150	175	200	250
H ₂	150	166	166	166	166	166	166
D ₂ ⁺²⁵	150	350	475	500	655	770	950
K ₃	616	840	1120	1232	1568	1848	2296

Accessories | More information ► www.igus.eu/2600AG



Optimized, cable-friendly interior separation program
 Pivoting mounting brackets for gliding applications
 KMA mounting bracket with all-sides attachment

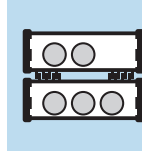


3400AG | snap-open along inner radius | Crossbars with molded-on autoglide grooves

Part No. e-chain®	<i>Bi</i> [mm]	<i>Ba</i> [mm]	<i>R</i> Available bending radii [mm]	Weight [kg/m]	Glide wing single part	Floor guide single part
3400. 075 AG. <i>R</i> .0*	75	95	100 125 150 200 250 300	1,89	AG.3400.OF	AG.380.BF
3400. 100 AG. <i>R</i> .0*	100	120	100 125 150 200 250 300	2,04	AG.3400.OF	AG.380.BF

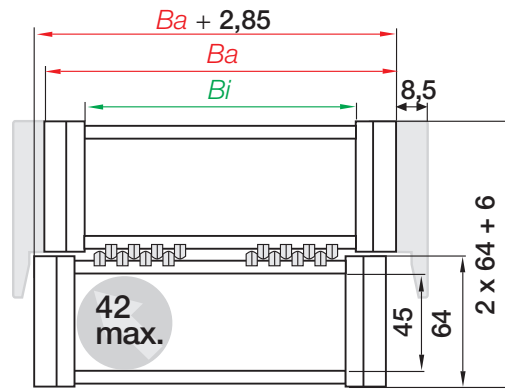
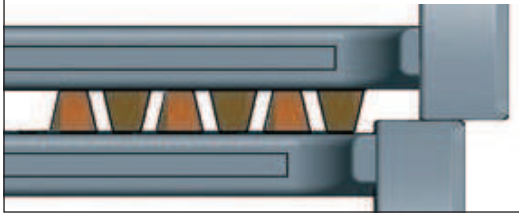
*Width and more widths upon request, please consult igus® for delivery time.

Supplement Part No. with required radius (R). Example: 3400.**100**AG.**100**.0



autoglide principle

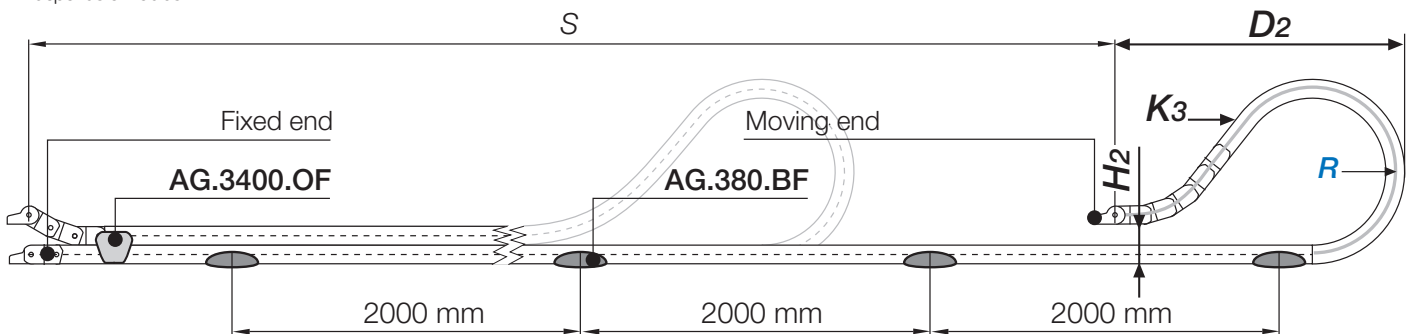
Offset operation of upper and lower run, leads to a persisting glide surface



Inner height 45 mm
 Pitch 67 mm/link
 Links/m 15 (1005 mm)
 Chain length $S + K_3$

Gliding applications | Long travels up to max. 70 m | Fill weight* 5,0 - 8,0 kg/m

*depends on radius



Note: We recommend to realize the engineering of such a plant by our technicians.

In case of travels between 6 and 10 m we recommend an unsupported e-chain®.

R	100	125	150	200	250	300
H ₂	200	186	186	186	186	186
D ₂	233	475	570	780	1010	1150
K ₃	871	1139	1407	1876	2412	2747

Accessories | More information ► www.igus.eu/3400AG



Optimized, cable-friendly interior separation program
 Pivoting mounting brackets for gliding applications

KMA mounting bracket with all-sides attachment

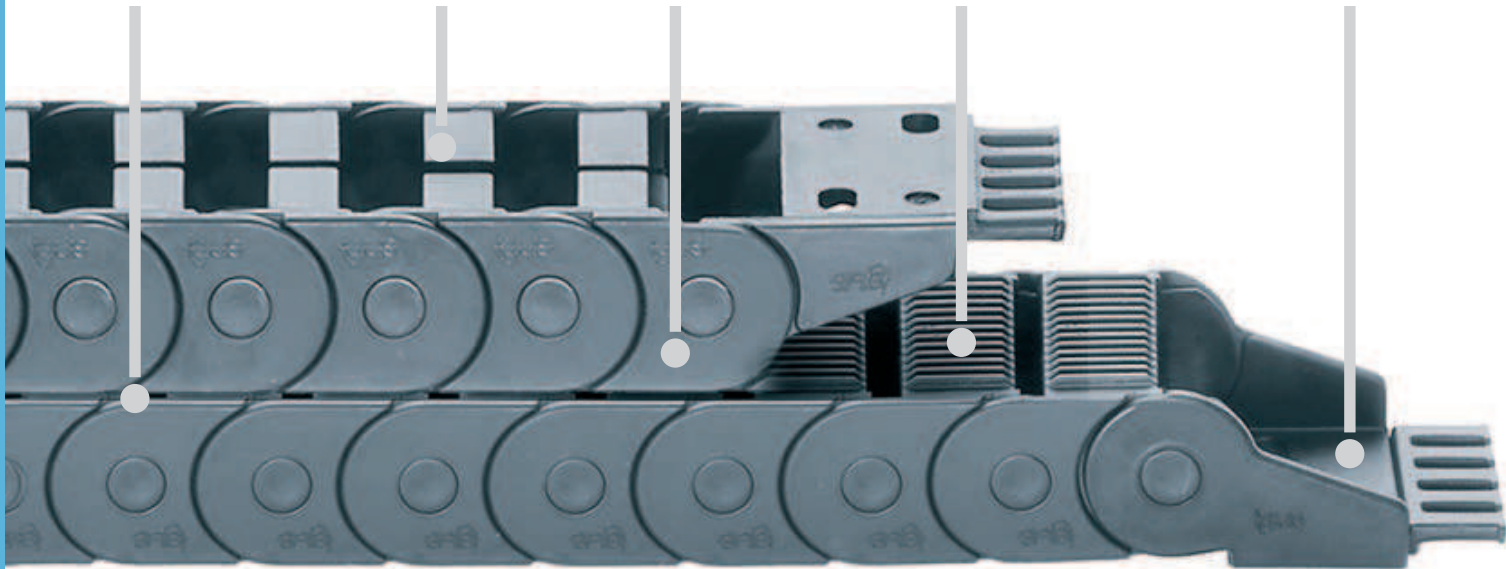
Smooth running:
Offset operation of
upper and lower run

Fast assembly:
"easy"-Design -
simply press cables in

Cost-effective:
Low price due to the
one-piece design

Guided safely:
comb style auto-
glide crossbars

Universal:
Mounting bracket
with strain relief



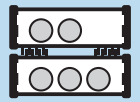
easy chain[®] design in outer radius, injection-moulded autoglide sprockets in the inner radius - autoglide Version 03

Version 03 is the quickly filled and cost-effective easy chain[®] e-chain[®] with injection-moulded autoglide sprockets in the inner radius. One-piece e-chain[®] with injection-moulded autoglide sprockets in the inner radius. The sprockets similar to tie-wrap plates are moulded directly on the e-chain[®] link and are available in two sizes. The reduced installation time is one of the main features of the e-chains[®]. Their elastic and rugged material igumid NB offers yet more reasons for application: Optimum elasticity, UL94-V2 classification and excellent suitability for cleanrooms. Their one-piece design makes easy chain[®] attractive especially with regard to price.




- Doubly cost-effective. Elimination of guide troughs and economical, one-piece e-chain[®]
- Very quick assembly time - "easy"-design even on long travels
- "easy"-design: Easy to fill - cables and hoses can be inserted without opening
- Single part design
- Small installation width, quiet operation
- UL94-V2 classifications

Typical industries and applications

- Industrial vehicles
- Long travels with easier filling
- Simple outdoor applications



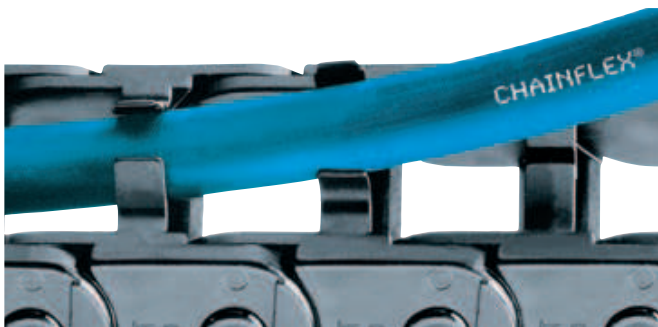
Technical data

	Speed max. gliding	max. 1,0 [m/s]
	Acceleration max. gliding	max. 1,0 [m/s ²]
	Material - permitted temperature °C, igumid NB	-40° up to +80° C
	Flammability class, igumid NB	VDE 0304 IIC UL94-V2

Order key



Order key
EA25.050.100.0



Simply push in the cables in the e-chain® with the thumb - and it's ready! For removal just pull out the cables from the e-chain®

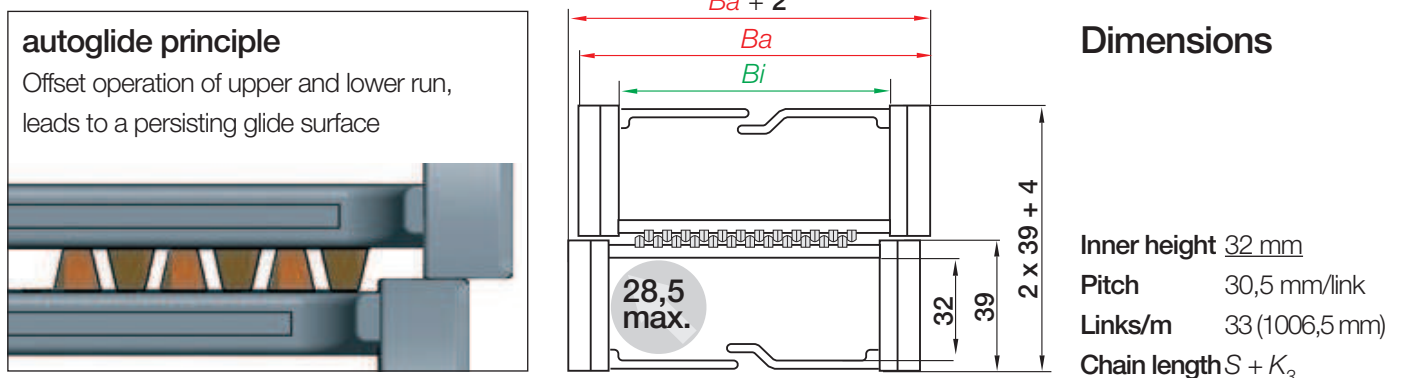


Series EA16 | Simply press cables in (outer radius) | autoglide crossbars (inner radius)

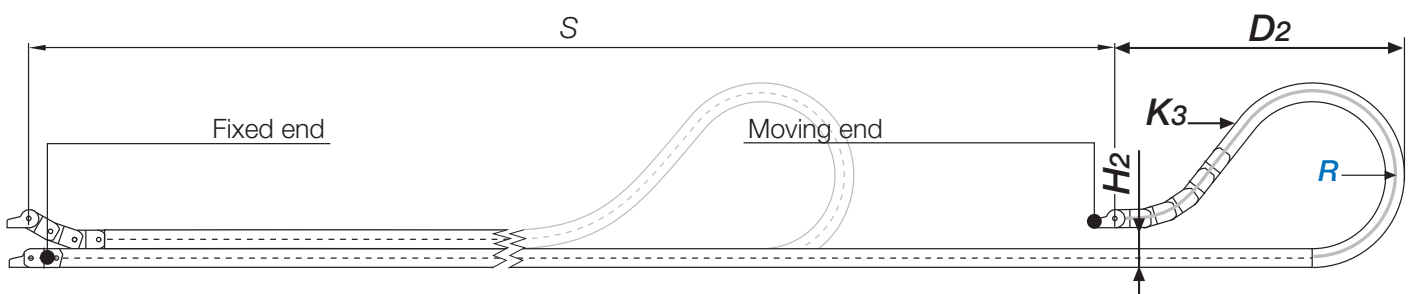
Part No. e-chain®	<i>Bi</i> [mm]	<i>Ba</i> [mm]	<i>R</i> Available bending radii [mm]	Weight [kg/m]
EA16.4.R.0.	48	60	065 075 100	≈ 0,66

More widths upon request, please consult igus® for delivery time.

Supplement Part No. with required radius (R). Example: EA16.4.100.0 (+ mounting bracket EA16.4.12PZ)

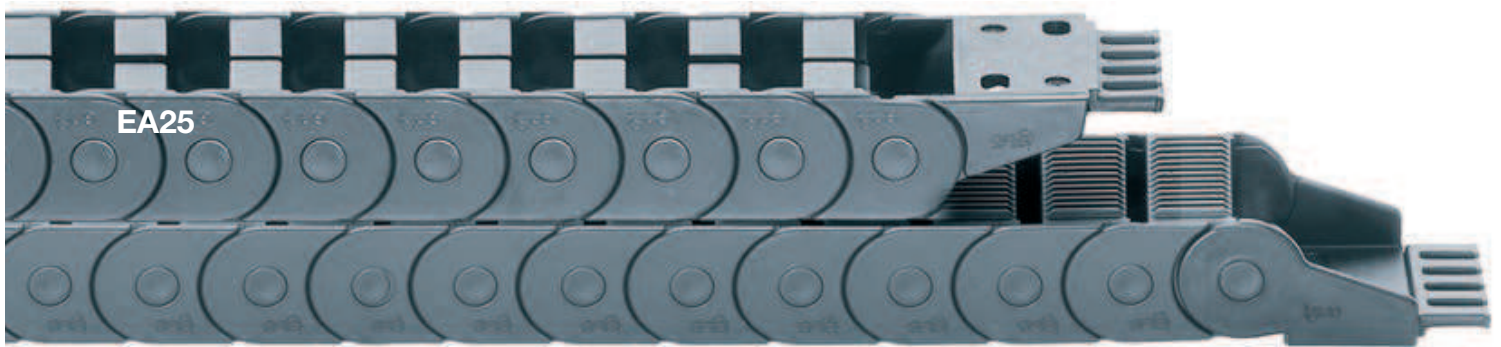


Gliding applications | Long travels up to max. 20 m | Fill weight 0,4 [kg/m]



Note: We recommend to realize the engineering of such a plant by our technicians.

<i>R</i>	065	075	100
H_2	100	100	100
D_1	325	355	570
K_3	702	763	1251

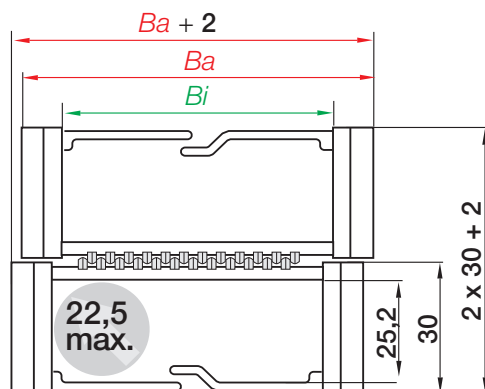
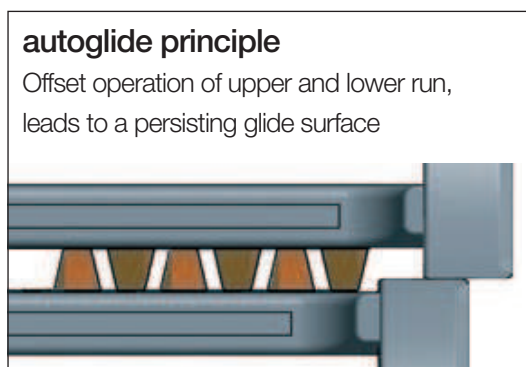


Series EA25 | Simply press cables in (outer radius) | autoglide crossbars (inner radius)

Part No. e-chain®	<i>Bi</i> [mm]	<i>Ba</i> [mm]	<i>R</i> Available bending radii [mm]	Weight [kg/m]
EA25.050.R.0.	50	60	075 100	≈ 0,49

More widths upon request, please consult igus® for delivery time.

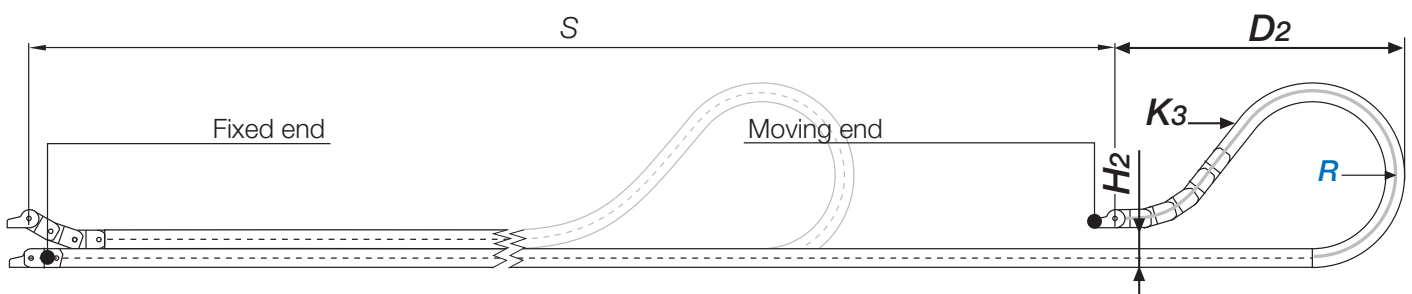
Supplement Part No. with required radius (R). Example: EA25.050.100.0 (+ mounting bracket EA25.050.12PZ)



Dimensions

Inner height	32 mm
Pitch	25 mm/link
Links/m	40 (1000 mm)
Chain length	$S + K_3$

Gliding applications | Long travels up to max. 20 m | Fill weight 0,4 [kg/m]



Note: We recommend to realize the engineering of such a plant by our technicians.

<i>R</i>	075	100
H_2	100	100
D_1	330	330
K_3	750	1125

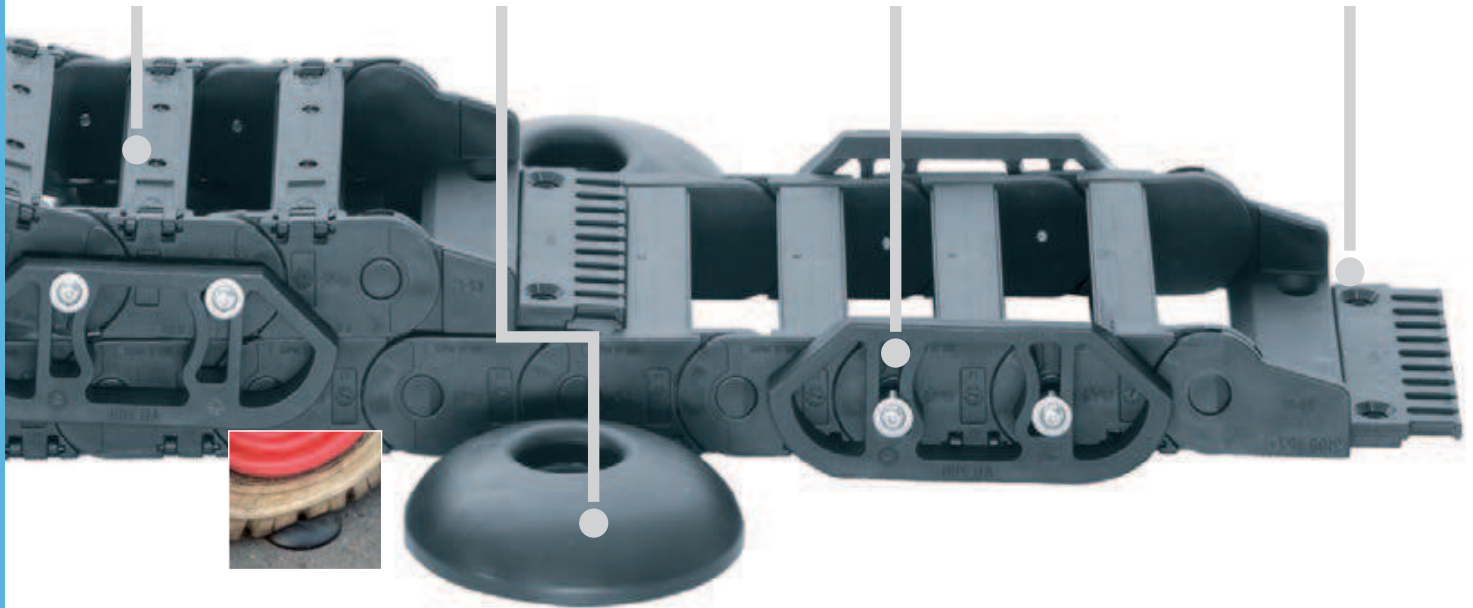
autoglide Version 04 | Introduction | Advantages

Easy to install:
snap-open along
outer radius

Practical:
Traversable
floor guides

Safe on track:
Assembled glide wing
feeds the e-chain®

Universal:
Mounting bracket
with strain relief



Special glide shoes provide a safe guiding for the E2/000 - autoglide Version 04

In this version, special plastic glide shoes are side-mounted on the e-chain® link every 1,000 to 2,000 mm. The function of these gliding shoes resembles the leeboards used on sail boats. Some of these glide shoes are conceived in such a way that in contact they pivot upwards and enable the continuation of the travel. Similarly the glide shoes in autoglide go up and down, each according to its position as lower run or upper run of the e-chain®. They provide the precise lateral guidance and a smooth glide of the e-chain®. The glide shoes are assembled every 24th e-chain® link from the moving end. Up to 10 m length without floor guides possible in the series 2400/2450/2480/2500.

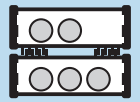
Typical industries and applications

- Industrial vehicles
- Long travels with easier filling
- Simple outdoor applications






Find a video online
▶ www.igus.eu/AG_Movie






Technical data

	Speed max. gliding	max. 0,5 [m/s]
	Acceleration max. gliding	max. 1,0 [m/s ²]
	Material - permitted temperature °C, igumid G	-40° up to +120° C
	Flammability class, igumid G	VDE 0304 IIC UL94 HB

Order example | Order key

 **Order example for complete e-chain® Series 2500AG (10 m), color black, with mounting brackets and interior separation:**

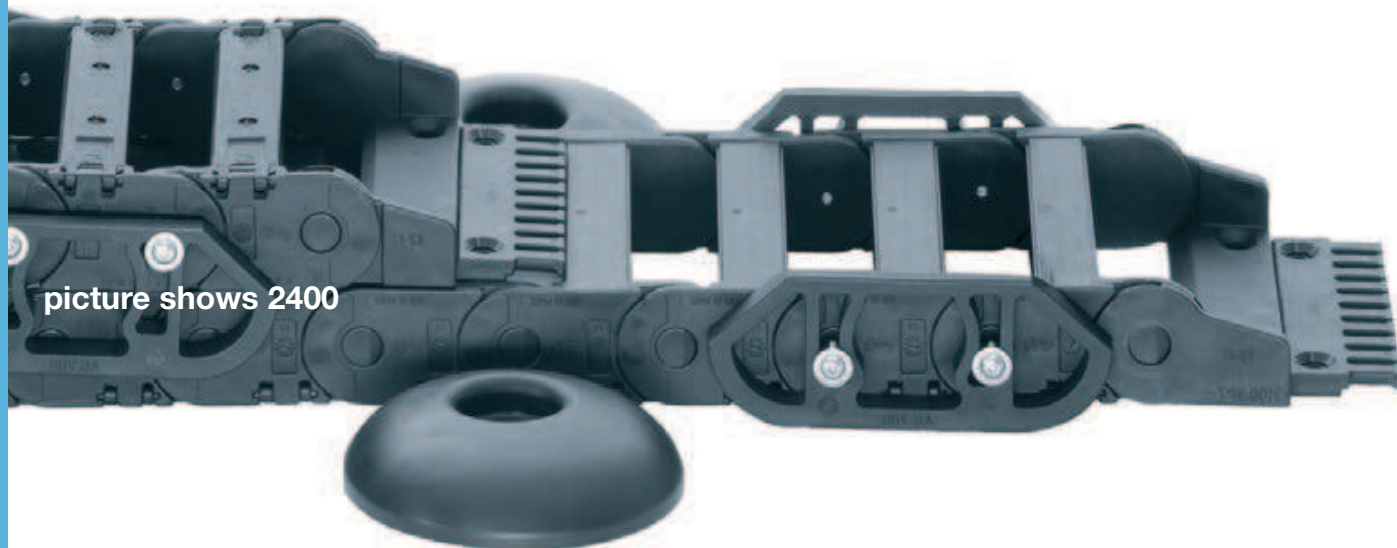
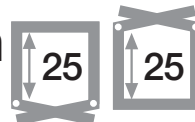
e-chain® (10 m)	Please indicate e-chain® length or number of links: 10 m or 249 links (Number of links in the assembly must still be deducted)	2500.05.150.0
e-chain® + glide wing	Assembly consists of 4 e-chain® links and 2 glide wings	2500.05.150.0.AG
+ Floor guides	8 pieces (2 units every 2 m from the half of the travel)	AG.380.BF

Order text: 209 links 2500.05.150.0 + 10 units 2500.05.150.0.AG + Mounting bracket + Interior separation (optional)

Note: The lateral glide wings are assembled on every 24th e-chain® link

 **Order key**
2500.05.150.0.AG



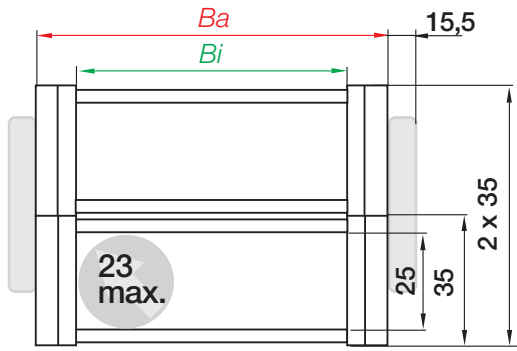


- e-chains® | Series 2400 snap-open along inner radius
- e-chains® | Series 2500 snap-open along outer radius | Standard
- Half e-tubes | Series 2450 snap-open along inner radius, enclosed along outer radius
- Full e-tubes | Series 2480 snap-open along inner radius, fully enclosed

Part No. e-chain®/e-tube	<i>Bi</i> [mm]	<i>Ba</i> [mm]	<i>R</i> Available bending radii [mm]	Floor guide single part
2400/2500/2450/2480. 05 . <i>R</i> .0.AG	57	73	055* 075 100 125 150 175 200 225 250	AG.380.BF
2400/2500/2450/2480. 07 . <i>R</i> .0.AG	77	93	055* 075 100 125 150 175 200 225 250	AG.380.BF
2400/2500/2450/2480. 09 . <i>R</i> .0.AG	89	105	055* 075 100 125 150 175 200 225 250	AG.380.BF
2400/2500/2450/2480. 10 . <i>R</i> .0.AG	103	119	055* 075 100 125 150 175 200 225 250	AG.380.BF
2400/2500/2450/2480. 12 . <i>R</i> .0.AG	125	141	055* 075 100 125 150 175 200 225 250	AG.380.BF

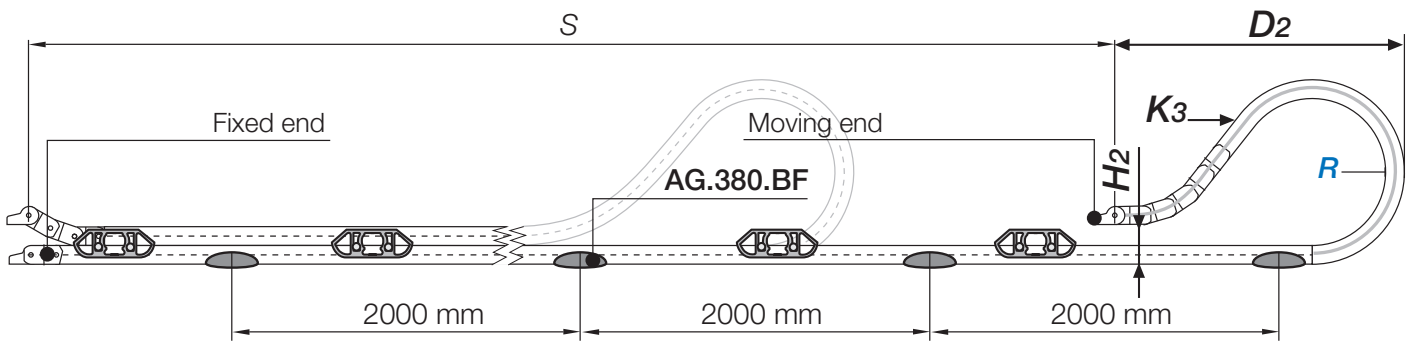
*Radius for Series 2450/2480 available upon request, please consult igus® for delivery time.

Supplement Part No. with required radius (R). Example: 2500.05.150.0.AG



Inner height 25 mm
Pitch 46 mm/link
Links/m 22 (1012 mm)
Chain length $S + K_3$

Gliding applications | Long travels up to max. 20 m | Fill weight 1,6 kg/m



The lateral glide wings are assembled on every 24th e-chain® link

Note: We recommend to realize the engineering of such a plant by our technicians.

In case of travels <3 m we recommend an unsupported e-chain®.

R	055*	075	100	125	150	175	200	225	250
H ₂	110	150	100	100	100	100	100	100	100
D ₂ ⁺²⁵	142	162	380	440	590	755	950	1040	1130
K ₃	506	598	920	1058	1426	1794	2208	2438	2668

*Radius for Series 2450/2480 available upon request, please consult igus® for delivery time.

Accessories | More information ► www.igus.eu/autoglide



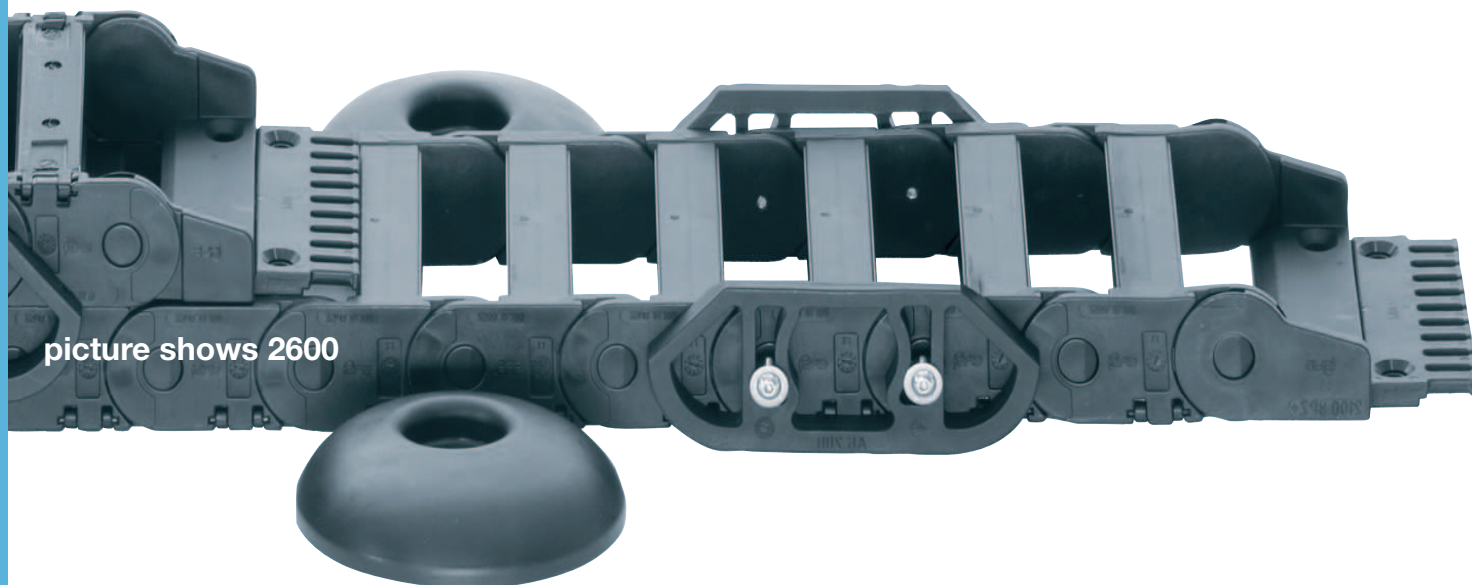
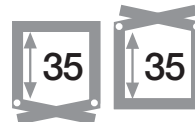
Optimized, cable-friendly interior separation program



Pivoting mounting brackets for gliding applications



KMA mounting bracket with all-sides attachment

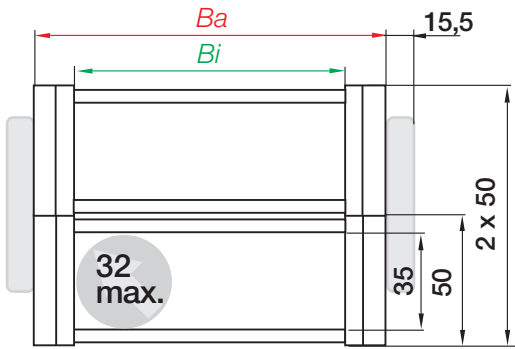


- e-chains® | Series 2600 snap-open along inner radius
- e-chains® | Series 2700 snap-open along outer radius | Standard
- Half e-tubes | Series 2650 snap-open along inner radius, enclosed along outer radius
- Full e-tubes | Series 2680 snap-open along inner radius, fully enclosed

Part No. e-chain®/e-tube	<i>Bi</i> [mm]	<i>Ba</i> [mm]	<i>R</i> Available bending radii [mm]	Floor guide single part
2600/2650/2680/2700. 05 . <i>R</i> .0.AG	50	66	075* 100 125 150 175 200 250	AG.380.BF
2600/2650/2680/2700. 06 . <i>R</i> .0.AG	65	81	075* 100 125 150 175 200 250	AG.380.BF
2600/2650/2680/2700. 07 . <i>R</i> .0.AG	75	91	075* 100 125 150 175 200 250	AG.380.BF
2600/2650/2680/2700. 09 . <i>R</i> .0.AG	90	106	075* 100 125 150 175 200 250	AG.380.BF
2600/2650/2680/2700. 10 . <i>R</i> .0.AG	100	116	075* 100 125 150 175 200 250	AG.380.BF
2600/2650/2680/2700. 12 . <i>R</i> .0.AG	125	141	075* 100 125 150 175 200 250	AG.380.BF
2600/2650/2680/2700. 15 . <i>R</i> .0.AG	150	166	075* 100 125 150 175 200 250	AG.380.BF
2600/2650/2680/2700. 17 . <i>R</i> .0.AG	175	194	075* 100 125 150 175 200 250	AG.380.BF

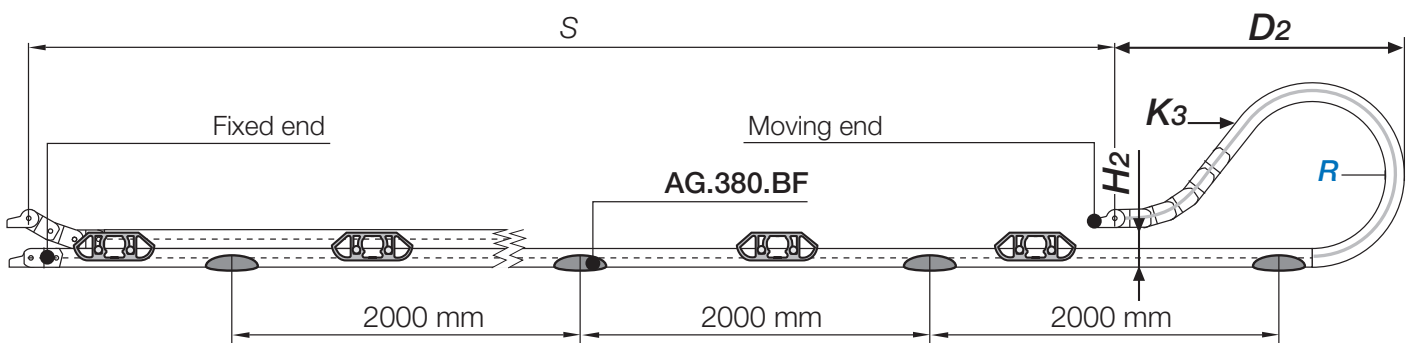
*Radius for Series 2650/2680 available upon request, please consult igus® for delivery time.

Supplement Part No. with required radius (R). Example: 2600.05.100.0.AG



Inner height 35 mm
Pitch 56 mm/link
Links/m 18 (1008 mm)
Chain length $S + K_3$

Gliding applications | Long travels up to max. 30 m | Fill weight 2,0 kg/m



The lateral glide wings are assembled on every 24th e-chain® link

Note: We recommend to realize the engineering of such a plant by our technicians.

In case of travels <3 m we recommend an unsupported e-chain®.

R	075*	100	125	150	175	200	250
H ₂	150	166	166	166	166	166	166
D ₂	150	350	475	500	655	770	950
K ₃	616	840	1120	1232	1568	1848	2296

*Radius for Series 2650/2680 available upon request, please consult igus® for delivery time.

Accessories | More information ► www.igus.eu/autoglide



Optimized, cable-friendly interior separation program

Pivoting mounting brackets for gliding applications

KMA mounting bracket with all-sides attachment

X-ON Electronics

Largest Supplier of Electrical and Electronic Components

Click to view similar products for [Cable Mounting & Accessories](#) category:

Click to view products by [Igus](#) manufacturer:

Other Similar products are found below :

[582603-1](#) [009333-000](#) [727844N003](#) [747](#) [809090N001](#) [843188-000](#) [8666](#) [967279N002](#) [DB-11](#) [1300840039](#) [1300900096](#) [1301800416](#)
[1302264450](#) [1300830184](#) [1300830729](#) [1300900039](#) [1301580036](#) [1301850553](#) [1301860939](#) [1302000074](#) [1302261315](#) [1302264431](#)
[1337706-2](#) [APA18-AK](#) [1724](#) [1-787307-1](#) [185491N001](#) [1868](#) [HP-6N](#) [OFSH-T-6-01BLK](#) [202C221-13-0](#) [CA7308-000](#) [8S23-75FR-CS8184](#)
[2684](#) [9648](#) [3089](#) [A72821-000](#) [AA401](#) [173506-000](#) [1823](#) [202C292-13-0](#) [202C302-13-0](#) [2109](#) [300625](#) [3330](#) [3412](#) [356247-1](#) [M9142](#) [M9143](#)
[529732-000](#)