

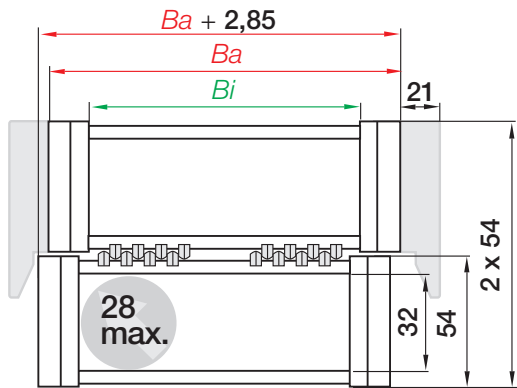
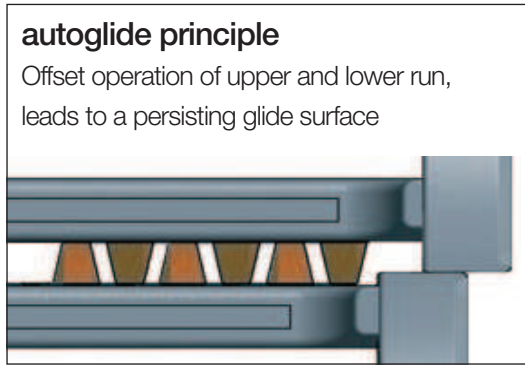
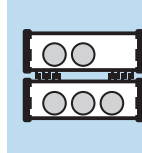
Series E4.32AG | openable along both radii, crossbars every link | autoglide crossbars along the inner radius

| Part No. e-chain® | <i>Bi</i> [mm] | <i>Ba</i> [mm] | <i>R</i> Available bending radii [mm] | Weight [kg/m] | Glide wing single part | Floor guide single part |
|----------------------|-------------------|-------------------|---|------------------|---------------------------|----------------------------|
| E4.32.112.R.0.AG.NC | 112 | 136 | 100 125 150 175 200 220 250 300 | 2,106 | AG.280.OF | AG.380.BF |
| E4.32.12.R.0.AG.NC | 125 | 148 | 100 125 150 175 200 220 250 300 | 2,176 | AG.280.OF | AG.380.BF |
| E4.32.15.R.0.AG.NC | 150 | 173 | 100 125 150 175 200 220 250 300 | 2,343 | AG.280.OF | AG.380.BF |
| E4.32.17.R.0.AG.NC | 168 | 191 | 100 125 150 175 200 220 250 300 | 2,444 | AG.280.OF | AG.380.BF |
| E4.32.20.R.0.AG.NC | 200 | 223 | 100 125 150 175 200 220 250 300 | 2,657 | AG.280.OF | AG.380.BF |
| E4.32.262.R.0.AG.NC | 262 | 286 | 100 125 150 175 200 220 250 300 | 3,050 | AG.280.OF | AG.380.BF |

More widths upon request, please consult igus® for delivery time.

Supplement Part No. with required radius (R). Example: **E4.32.15.150.0.AG.NC**

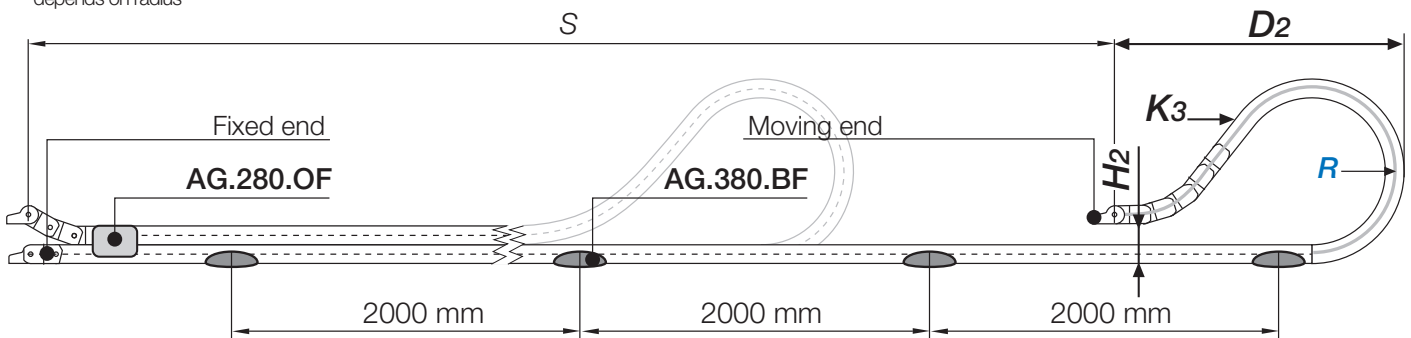
For autoglide e-chains® with assembled glide wings please add index **.OF** e.g. **E4.32.15.150.0.AG.OF.NC**



Inner height 32 mm
Pitch 56 mm/link
Links/m 18 (1008 mm)
Chain length $S + K_3$

Gliding applications | Long travels up to max. 60 m | Fill weight* 5,0 - 7,0 kg/m

*depends on radius



Note: We recommend to realize the engineering of such a plant by our technicians.
In case of travels <10 m we recommend an unsupported e-chain®.

| R | 100 | 125 | 150 | 175 | 200 | 220 | 250 | 300 |
|-------|-----|------|------|------|------|------|------|------|
| H_2 | 166 | 166 | 166 | 166 | 166 | 166 | 166 | 166 |
| D_2 | 370 | 470 | 500 | 655 | 770 | 900 | 930 | 1100 |
| K_3 | 840 | 1064 | 1232 | 1568 | 1848 | 2072 | 2240 | 2688 |

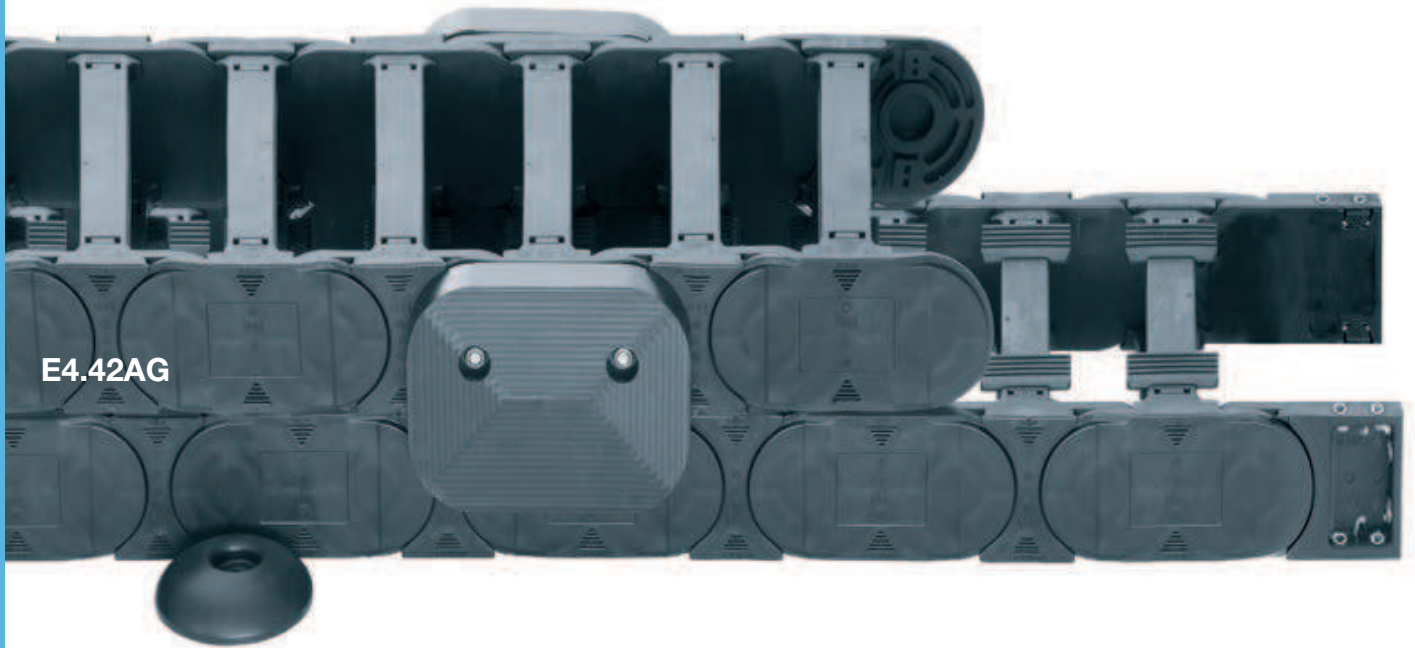
Accessories | More information ► www.igus.eu/E4.32AG



Optimized, cable-friendly interior separation program



Pivoting KMA mounting bracket with all-sides attachment



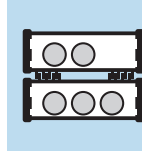
Series E4.42AG | openable along both radii, crossbars every link | autoglide crossbars along the inner radius

| Part No. e-chain® | <i>Bi</i> [mm] | <i>Ba</i> [mm] | <i>R</i> Available bending radii [mm] | Weight [kg/m] | Glide wing single part | Floor guide single part |
|----------------------|-------------------|-------------------|---|------------------|---------------------------|----------------------------|
| E4.42.112.R.0.AG.NC | 112 | 139 | 125 150 160 175 200 250 300 350 | 2,372 | AG.380.OF | AG.380.BF |
| E4.42.12.R.0.AG.NC | 125 | 151 | 125 150 160 175 200 250 300 350 | 2,430 | AG.380.OF | AG.380.BF |
| E4.42.15.R.0.AG.NC | 150 | 176 | 125 150 160 175 200 250 300 350 | 2,569 | AG.380.OF | AG.380.BF |
| E4.42.17.R.0.AG.NC | 168 | 194 | 125 150 160 175 200 250 300 350 | 2,654 | AG.380.OF | AG.380.BF |
| E4.42.20.R.0.AG.NC | 200 | 226 | 125 150 160 175 200 250 300 350 | 2,831 | AG.380.OF | AG.380.BF |
| E4.42.262.R.0.AG.NC | 262 | 289 | 125 150 160 175 200 250 300 350 | 3,159 | AG.380.OF | AG.380.BF |

More widths upon request, please consult igus® for delivery time.

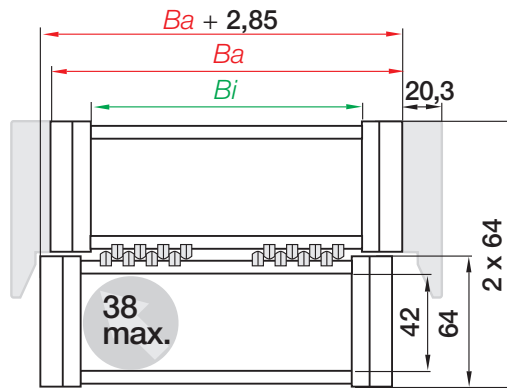
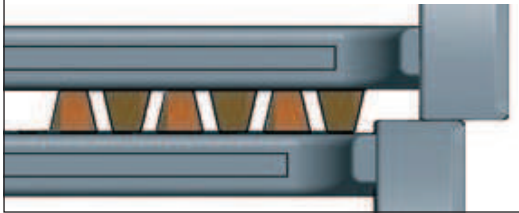
Supplement Part No. with required radius (R). Example: **E4.42.15.150.0.AG.NC**

For autoglide e-chains® with assembled glide wings please add index **.OF** e.g. **E4.42.15.150.0.AG.OF.NC**



autoglide principle

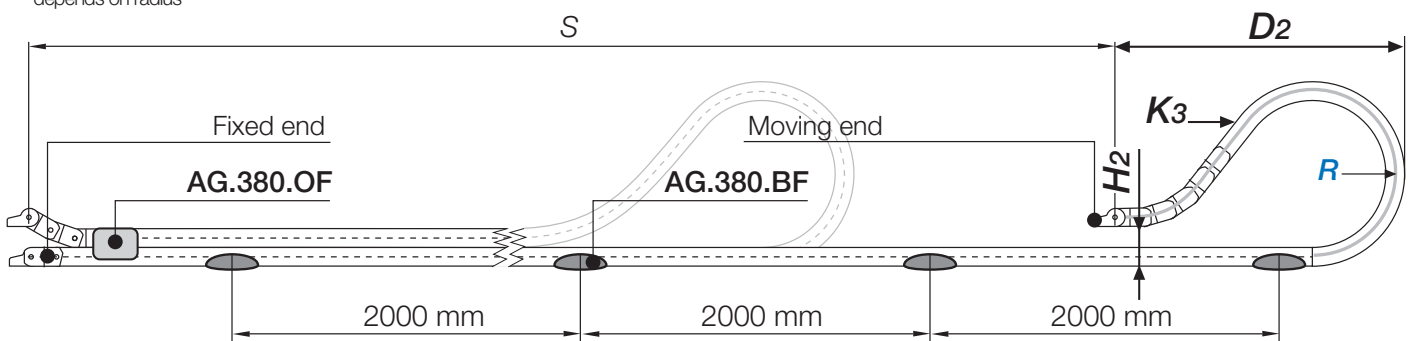
Offset operation of upper and lower run, leads to a persisting glide surface



Inner height 42 mm
 Pitch 67 mm/link
 Links/m 15 (1005 mm)
 Chain length $S + K_3$

Gliding applications | Long travels up to max. 70 m | Fill weight* 4,0 - 9,6 kg/m

*depends on radius



Note: We recommend to realize the engineering of such a plant by our technicians.

In case of travels <10 m we recommend an unsupported e-chain®.

| R | 125 | 150 | 160 | 175 | 200 | 250 | 300 | 350 |
|----------------|------|------|------|------|------|------|------|------|
| H ₂ | 186 | 186 | 186 | 186 | 186 | 186 | 186 | 186 |
| D ₂ | 475 | 570 | 623 | 670 | 780 | 1030 | 1150 | 1500 |
| K ₃ | 1139 | 1340 | 1474 | 1608 | 1876 | 2412 | 2747 | 3551 |

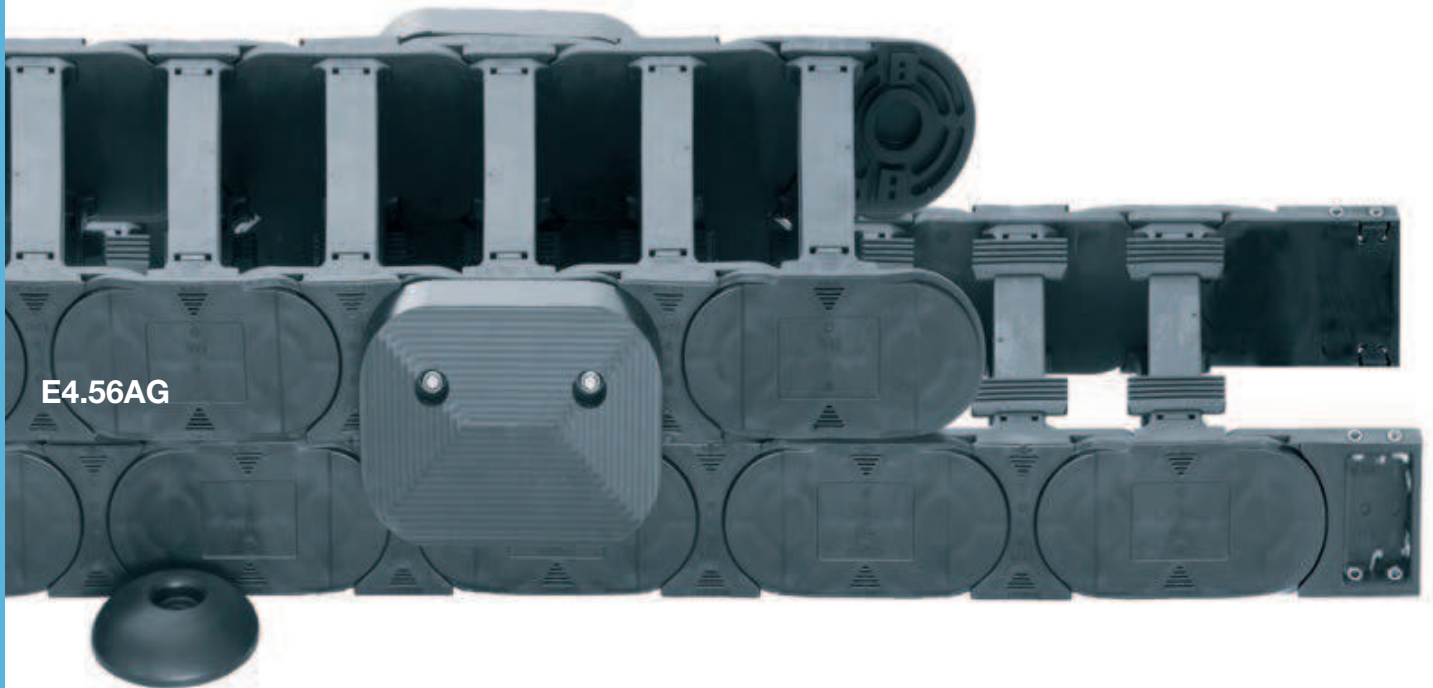
Accessories | More information ► www.igus.eu/E4.42AG



Optimized, cable-friendly interior separation program



Pivoting KMA mounting bracket with all-sides attachment



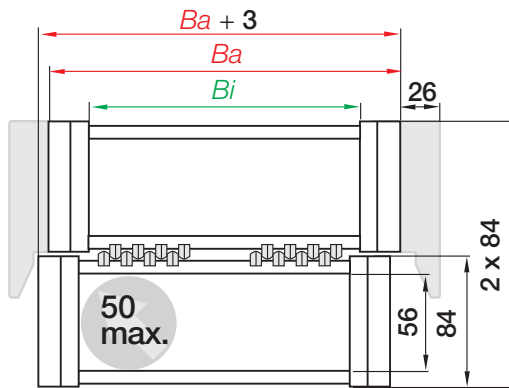
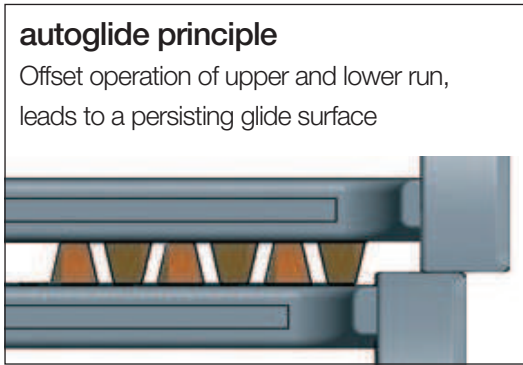
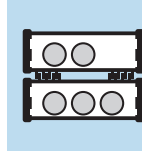
Series E4.56AG | openable along both radii, crossbars every link | autoglide crossbars along the inner radius

| Part No. e-chain® | <i>Bi</i> [mm] | <i>Ba</i> [mm] | <i>R</i> Available bending radii [mm] | Weight [kg/m] | Glide wing single part | Floor guide single part |
|-----------------------------|-------------------|-------------------|---|------------------|---------------------------|----------------------------|
| E4.56.15. <i>R</i> .0.AG.NC | 150 | 184 | 150 175 200 240 250 300 350 400 450 500 | 4,109 | AG.400.OF | AG.380.BF |
| E4.56.21. <i>R</i> .0.AG.NC | 212 | 247 | 150 175 200 240 250 300 350 400 450 500 | 4,567 | AG.400.OF | AG.380.BF |
| E4.56.25. <i>R</i> .0.AG.NC | 250 | 284 | 150 175 200 240 250 300 350 400 450 500 | 4,896 | AG.400.OF | AG.380.BF |

More widths upon request, please consult igus® for delivery time.

Supplement Part No. with required radius (R). Example: **E4.56.15.150.0.AG.NC**

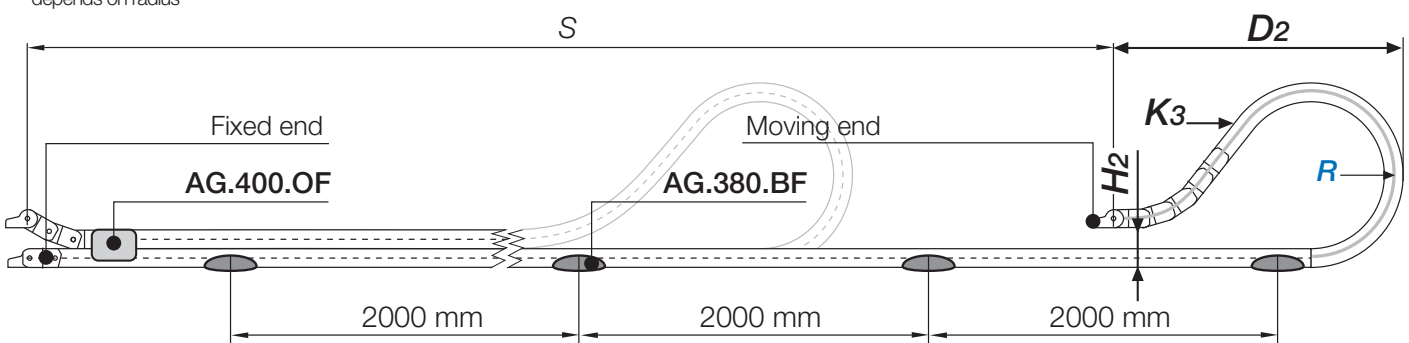
For autoglide e-chains® with assembled glide wings please add index **.OF** e.g. **E4.56.15.150.0.AG.OF.NC**



Inner height 56 mm
Pitch 91 mm/link
Links/m 11 (1001 mm)
Chain length $S + K_3$

Gliding applications | Long travels up to max. 80 m | Fill weight* 6,4 - 12 kg/m

*depends on radius



Note: We recommend to realize the engineering of such a plant by our technicians.

In case of travels <10 m we recommend an unsupported e-chain®.

| R | 150 | 175 | 200 | 240 | 250 | 300 | 350 | 400 | 450 | 500 |
|-------|------|------|------|------|------|------|------|------|------|------|
| H_2 | 266 | 266 | 266 | 266 | 266 | 266 | 266 | 266 | 266 | 266 |
| D_2 | 450 | 580 | 710 | 900 | 980 | 1180 | 1440 | 1530 | 1700 | 1850 |
| K_3 | 1092 | 1456 | 1729 | 2184 | 2366 | 2821 | 3276 | 3640 | 4095 | 4550 |

Accessories | More information ► www.igus.eu/E4.56AG



Optimized, cable-friendly interior separation program



Pivoting KMA mounting bracket with all-sides attachment

Smooth running:
Offset operation of
upper and lower run

Safe on track:
Clip-on glide wing
feeds the e-chain®

Practical:
Traversable
floor guides

Secure guidance:
comb style auto
glide crossbars

Universal:
Mounting bracket
with strain relief



Self-guiding e-chains® for System E2/000 - autoglide Version 02

Interfering guide troughs for long travels can be dispensed with when using the autoglide system. Self-guiding e-chains® glide safely on top of each other for up to 70 metres. The system has now been extended to the igus® E2/000 and further improved. The autoglide crossbars ensure even longer life. A plug-in glide wing ensures safe e-chain® threading over the first few metres of travel. The traversable eccentric floor guides are fastened to the subsurface every 2 metres.

- Travels up to 70 m without guide trough at speeds up to 2.0 m/s
- Very compact, no interfering trough in the travel or work area
- Fast installation times for long travels
- Snap-open in the inner radius
- Also for "half tube" fully enclosed in the outer radius
- Clip-on glide wings, safe threading in of the e-chain®
- Drive-over floor guide

Typical industries and applications

- Greenhouses ● Storage and retrieval systems ● Conveyor systems
- Indoor cranes ● Handling ● And many other "long travels"






Find a video online
▶ www.igus.eu/safetrough






Technical data

| | | |
|---|---|------------------------------|
|  | Speed max. gliding | max. 2,0 [m/s] |
| | Acceleration max. gliding | max. 1,0 [m/s ²] |
|  | Material - permitted temperature °C, igumid G | -40° up to +120° C |
|  | Flammability class, igumid G | VDE 0304 IIC UL94 HB |

Order example | Order key

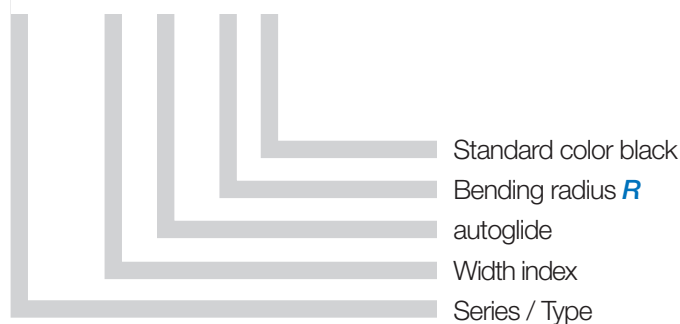
 **Order example for complete e-chain® Series 2400AG (15 m), color black, with mounting brackets and interior separation:**

| | | |
|-----------------------|---|------------------------|
| e-chain® (15 m) | Please indicate e-chain® length or number of links: 15 m or 347 links | 2400.05AG.100.0 |
| + Glide wing | 2 glide wings are required per e-chain® | AG.2400.OF |
| + Floor guides | 8 pieces (2 units every 2 m from the half of the travel) | AG.380.BF |

Order text: 15 m 2400.05AG.100.0 + AG.2400.OF + AG.380.BF + Mounting bracket + Interior separation (optional)

Note: We require one glide wing per e-chain® to the left and right at the position where the upper run first meets the lower run.

 **Order key**
2400.05AG.100.0



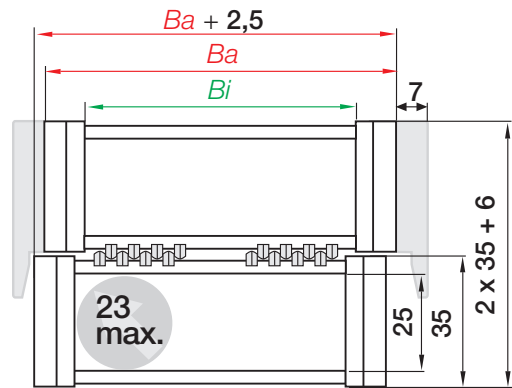
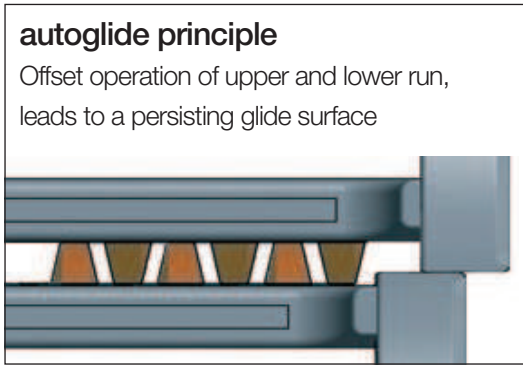
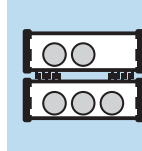


2400AG | snap-open along inner radius | Crossbars with molded-on autoglide grooves

| Part No. e-chain® | <i>Bi</i> [mm] | <i>Ba</i> [mm] | <i>R</i> Available bending radii [mm] | Weight [kg/m] | Glide wing single part | Floor guide single part |
|----------------------|-------------------|-------------------|---|------------------|---------------------------|----------------------------|
| 2400. 05 AG.R.0 | 57 | 73 | 075 100 125 150 175 200 225 250 | 1,00 | AG.2400.OF | AG.380.BF |
| 2400. 07 AG.R.0 | 77 | 93 | 075 100 125 150 175 200 225 250 | 1,10 | AG.2400.OF | AG.380.BF |

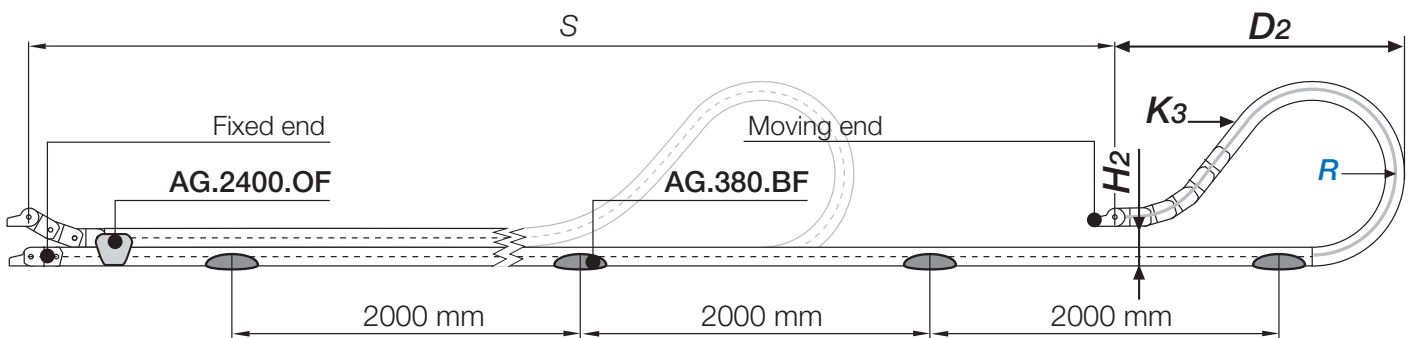
More widths upon request, please consult igus® for delivery time.

Supplement Part No. with required radius (R). Example: 2400.05AG.100.0



Inner height 25 mm
Pitch 46 mm/link
Links/m 22 (1012 mm)
Chain length $S + K_3$

Gliding applications | Long travels up to max. 40 m | Fill weight 2,0 kg/m



Note: We recommend to realize the engineering of such a plant by our technicians.
In case of travels between 4 and 10 m we recommend an unsupported e-chain®.

| R | 075 | 100 | 125 | 150 | 175 | 200 | 225 | 250 |
|----------------|-----|-----|------|------|------|------|------|------|
| H ₂ | 150 | 100 | 100 | 100 | 100 | 100 | 100 | 100 |
| D ₂ | 162 | 380 | 440 | 590 | 755 | 950 | 1040 | 1130 |
| K ₃ | 598 | 920 | 1058 | 1426 | 1794 | 2208 | 2438 | 2668 |

Accessories | More information ► www.igus.eu/2400AG



Optimized, cable-friendly interior separation program



Pivoting mounting brackets for gliding applications



KMA mounting bracket with all-sides attachment

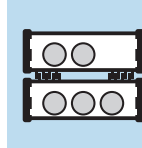


2600AG | snap-open along inner radius | Crossbars with molded-on autoglide grooves

| Part No. e-chain® | <i>Bi</i> [mm] | <i>Ba</i> [mm] | <i>R</i> Available bending radii [mm] | Weight [kg/m] | Glide wing single part | Floor guide single part |
|----------------------|-------------------|-------------------|--|------------------|---------------------------|----------------------------|
| 2600. 05 AG.R.0* | 50 | 66 | 075 100 125 150 175 200 250 | 1,27 | AG.2600.OF | AG.380.BF |
| 2600. 07 AG.R.0* | 75 | 91 | 075 100 125 150 175 200 250 | 1,40 | AG.2600.OF | AG.380.BF |

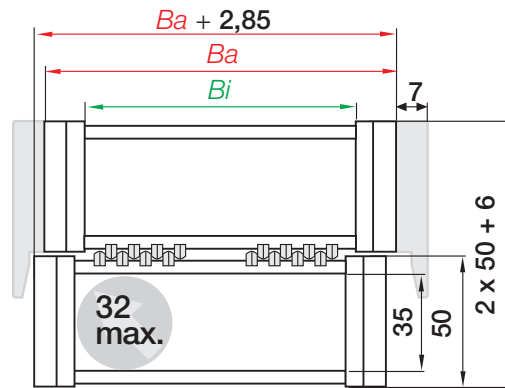
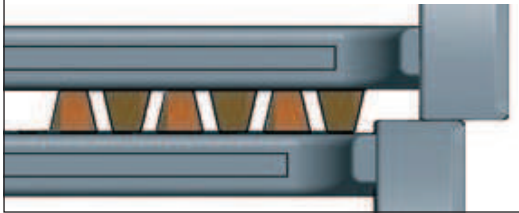
*Width and more widths upon request, please consult igus® for delivery time.

Supplement Part No. with required radius (R). Example: 2600.05AG.100.0



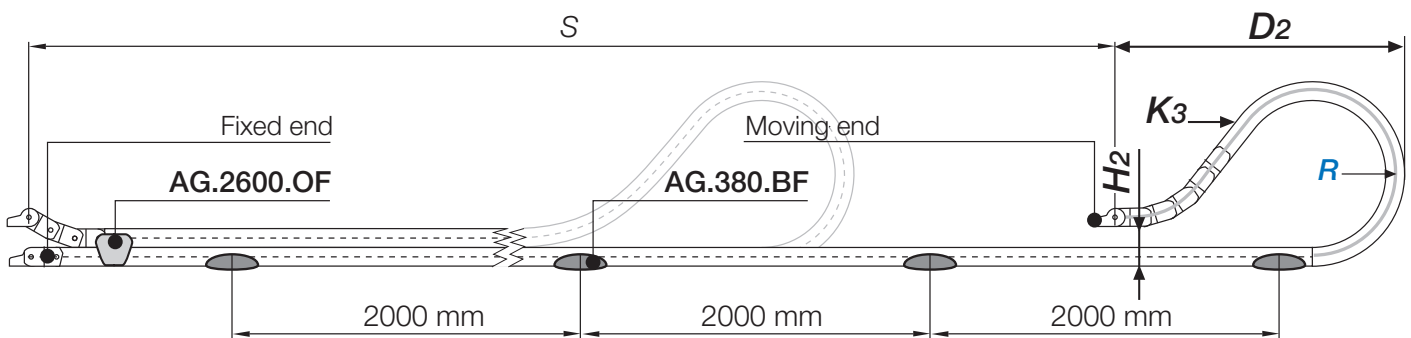
autoglide principle

Offset operation of upper and lower run, leads to a persisting glide surface



Inner height 35 mm
 Pitch 56 mm/link
 Links/m 18 (1008 mm)
 Chain length $S + K_3$

Gliding applications | Long travels up to max. 60 m | Fill weight 2,5 kg/m



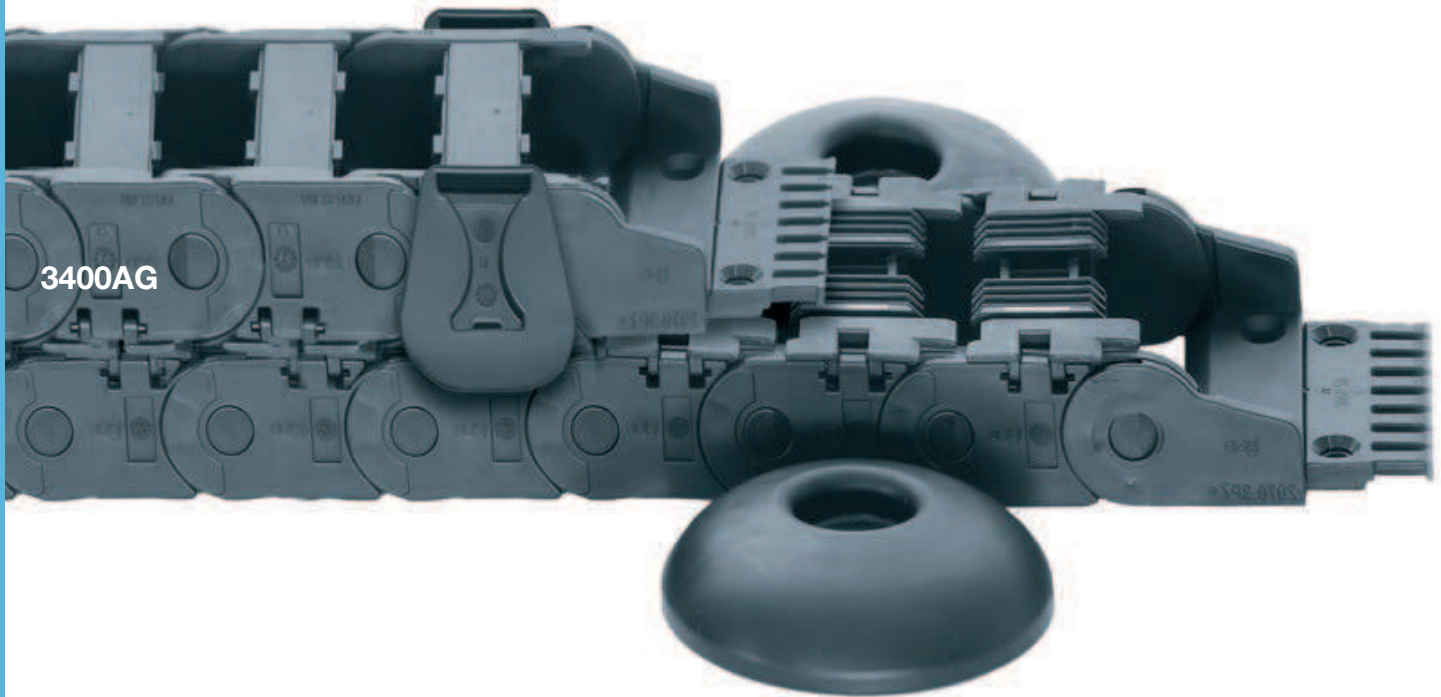
Note: We recommend to realize the engineering of such a plant by our technicians. In case of travels between 5 and 10 m we recommend an unsupported e-chain®.

| R | 075 | 100 | 125 | 150 | 175 | 200 | 250 |
|-------------------------------|-----|-----|------|------|------|------|------|
| H ₂ | 150 | 166 | 166 | 166 | 166 | 166 | 166 |
| D ₂ ⁺²⁵ | 150 | 350 | 475 | 500 | 655 | 770 | 950 |
| K ₃ | 616 | 840 | 1120 | 1232 | 1568 | 1848 | 2296 |

Accessories | More information ► www.igus.eu/2600AG



Optimized, cable-friendly interior separation program
 Pivoting mounting brackets for gliding applications
 KMA mounting bracket with all-sides attachment

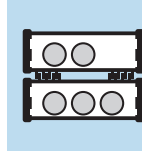


3400AG | snap-open along inner radius | Crossbars with molded-on autoglide grooves

| Part No. e-chain® | <i>Bi</i> [mm] | <i>Ba</i> [mm] | <i>R</i> Available bending radii [mm] | Weight [kg/m] | Glide wing single part | Floor guide single part |
|---------------------------|-------------------|-------------------|--|------------------|---------------------------|----------------------------|
| 3400.075 AG. <i>R</i> .0* | 75 | 95 | 100 125 150 200 250 300 | 1,89 | AG.3400.OF | AG.380.BF |
| 3400.100 AG. <i>R</i> .0* | 100 | 120 | 100 125 150 200 250 300 | 2,04 | AG.3400.OF | AG.380.BF |

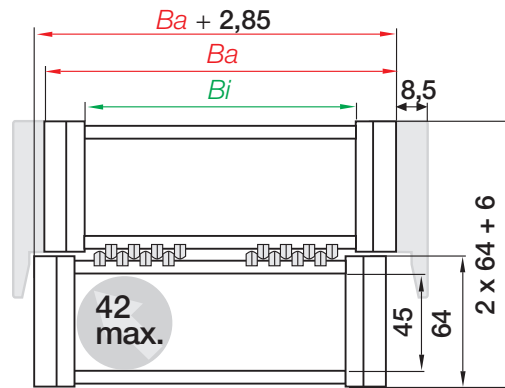
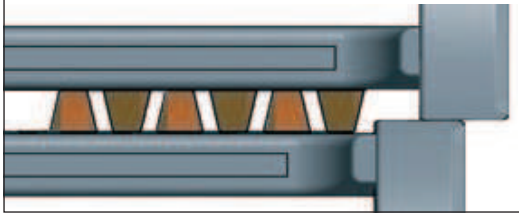
*Width and more widths upon request, please consult igus® for delivery time.

Supplement Part No. with required radius (R). Example: 3400.100AG.100.0



autoglide principle

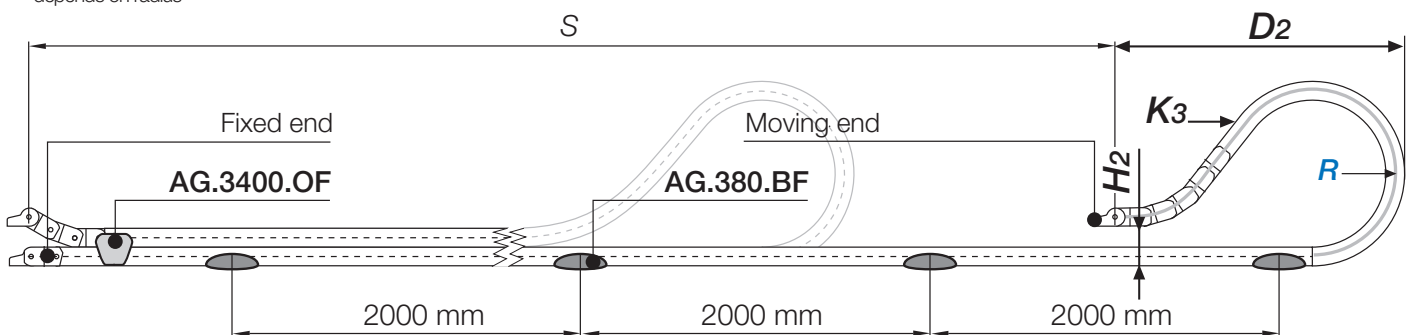
Offset operation of upper and lower run, leads to a persisting glide surface



Inner height 45 mm
 Pitch 67 mm/link
 Links/m 15 (1005 mm)
 Chain length $S + K_3$

Gliding applications | Long travels up to max. 70 m | Fill weight* 5,0 - 8,0 kg/m

*depends on radius



Note: We recommend to realize the engineering of such a plant by our technicians.

In case of travels between 6 and 10 m we recommend an unsupported e-chain®.

| R | 100 | 125 | 150 | 200 | 250 | 300 |
|-------|-----|------|------|------|------|------|
| H_2 | 200 | 186 | 186 | 186 | 186 | 186 |
| D_2 | 233 | 475 | 570 | 780 | 1010 | 1150 |
| K_3 | 871 | 1139 | 1407 | 1876 | 2412 | 2747 |

Accessories | More information ► www.igus.eu/3400AG



Optimized, cable-friendly interior separation program



Pivoting mounting brackets for gliding applications



KMA mounting bracket with all-sides attachment

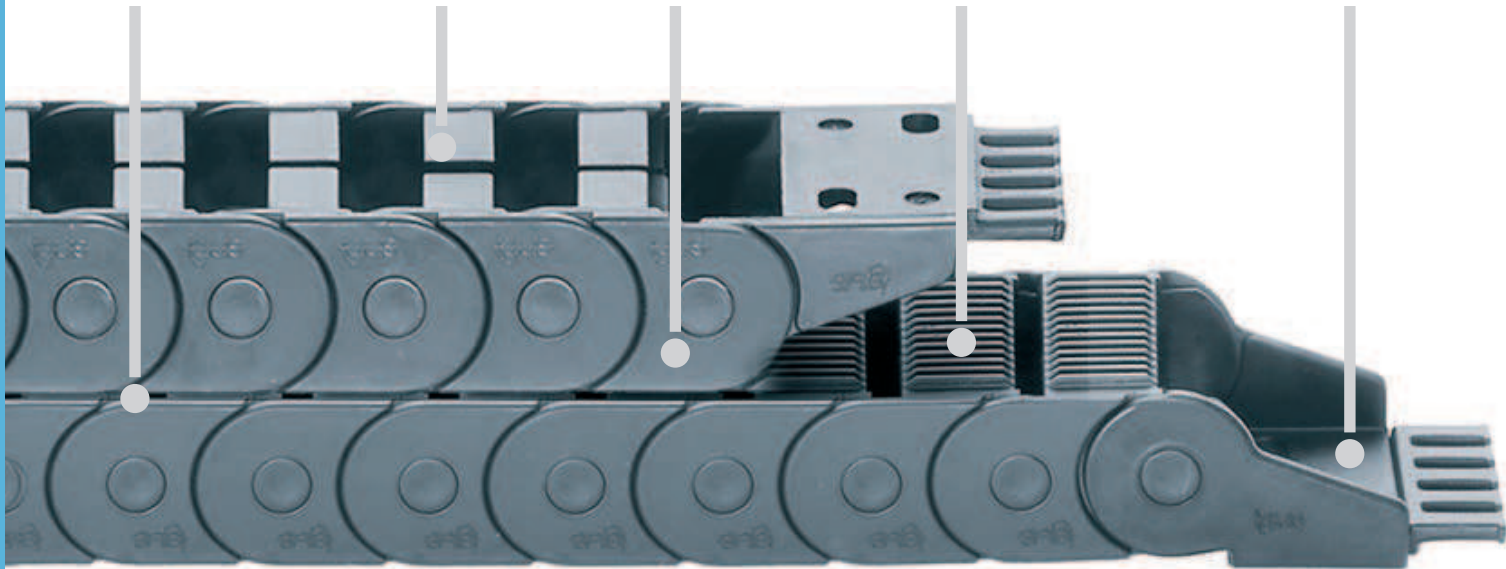
Smooth running:
Offset operation of
upper and lower run

Fast assembly:
"easy"-Design -
simply press cables in

Cost-effective:
Low price due to the
one-piece design

Guided safely:
comb style auto-
glide crossbars

Universal:
Mounting bracket
with strain relief



easy chain[®] design in outer radius, injection-moulded autoglide sprockets in the inner radius - autoglide Version 03

Version 03 is the quickly filled and cost-effective easy chain[®] e-chain[®] with injection-moulded autoglide sprockets in the inner radius. One-piece e-chain[®] with injection-moulded autoglide sprockets in the inner radius. The sprockets similar to tie-wrap plates are moulded directly on the e-chain[®] link and are available in two sizes. The reduced installation time is one of the main features of the e-chains[®]. Their elastic and rugged material igumid NB offers yet more reasons for application: Optimum elasticity, UL94-V2 classification and excellent suitability for cleanrooms. Their one-piece design makes easy chain[®] attractive especially with regard to price.




- Doubly cost-effective. Elimination of guide troughs and economical, one-piece e-chain[®]
- Very quick assembly time - "easy"-design even on long travels
- "easy"-design: Easy to fill - cables and hoses can be inserted without opening
- Single part design
- Small installation width, quiet operation
- UL94-V2 classifications

Typical industries and applications

- Industrial vehicles
- Long travels with easier filling
- Simple outdoor applications



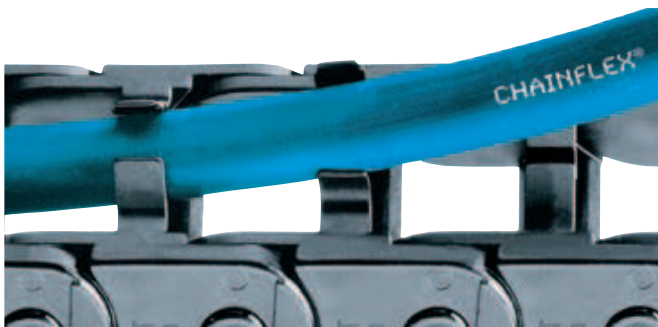
Technical data

| | | |
|---|--|------------------------------|
|  | Speed max. gliding | max. 1,0 [m/s] |
| | Acceleration max. gliding | max. 1,0 [m/s ²] |
|  | Material - permitted temperature °C, igumid NB | -40° up to +80° C |
|  | Flammability class, igumid NB | VDE 0304 IIC UL94-V2 |

Order key



Order key
EA25.050.100.0



Simply push in the cables in the e-chain® with the thumb - and it's ready! For removal just pull out the cables from the e-chain®

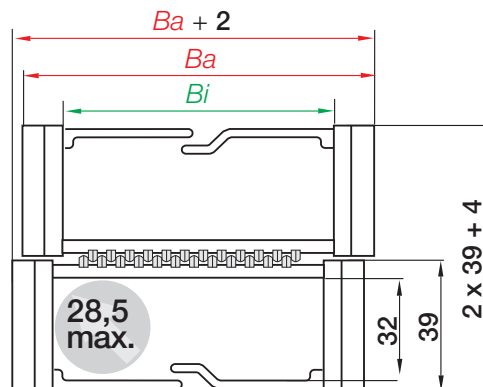
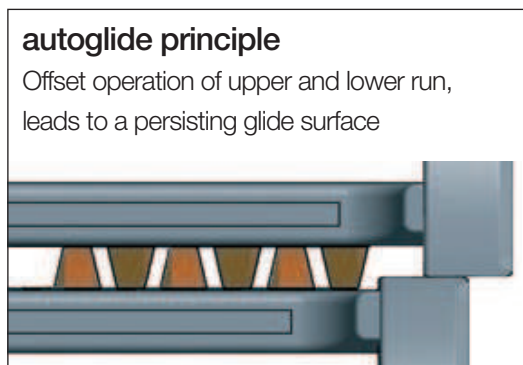


Series EA16 | Simply press cables in (outer radius) | autoglide crossbars (inner radius)

| Part No. e-chain® | <i>Bi</i> [mm] | <i>Ba</i> [mm] | <i>R</i> Available bending radii [mm] | Weight [kg/m] |
|----------------------|-------------------|-------------------|--|------------------|
| EA16.4.R.0. | 48 | 60 | 065 075 100 | ≈ 0,66 |

More widths upon request, please consult igus® for delivery time.

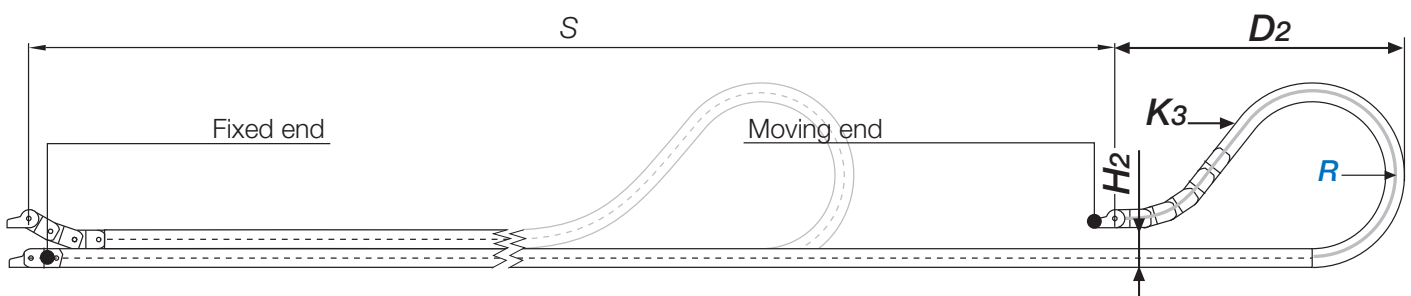
Supplement Part No. with required radius (R). Example: EA16.4.100.0 (+ mounting bracket EA16.4.12PZ)



Dimensions

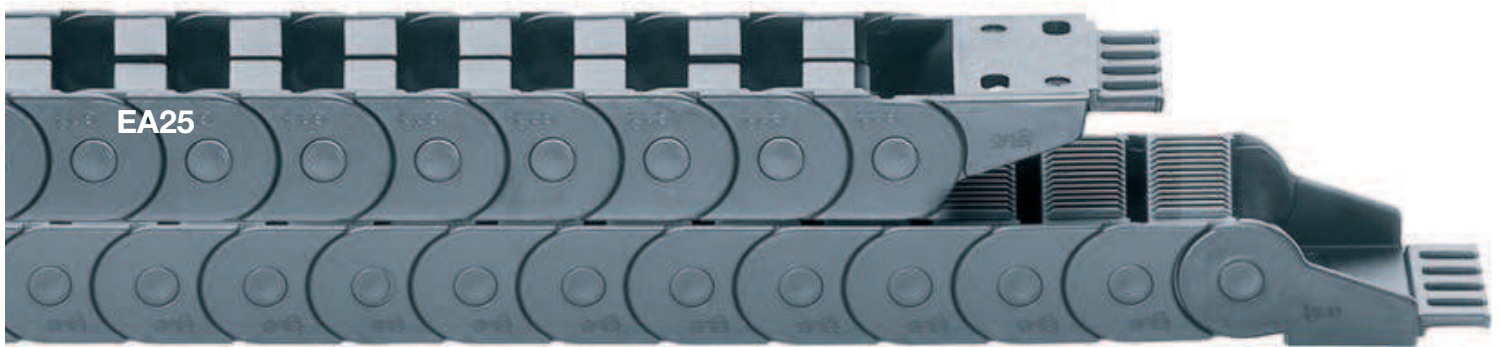
| | |
|--------------|----------------|
| Inner height | 32 mm |
| Pitch | 30,5 mm/link |
| Links/m | 33 (1006,5 mm) |
| Chain length | $S + K_3$ |

Gliding applications | Long travels up to max. 20 m | Fill weight 0,4 [kg/m]



Note: We recommend to realize the engineering of such a plant by our technicians.

| <i>R</i> | 065 | 075 | 100 |
|----------|-----|-----|------|
| H_2 | 100 | 100 | 100 |
| D_1 | 325 | 355 | 570 |
| K_3 | 702 | 763 | 1251 |

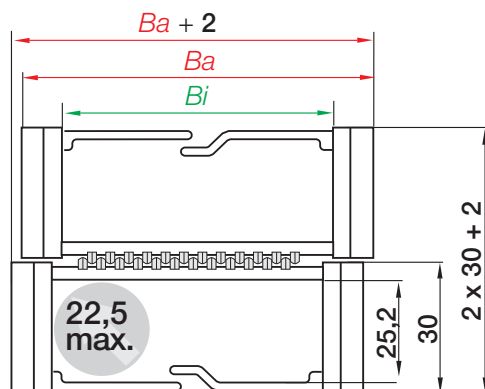
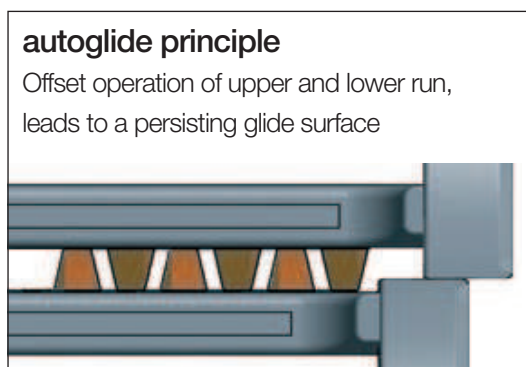


Series EA25 | Simply press cables in (outer radius) | autoglide crossbars (inner radius)

| Part No. e-chain® | Bi [mm] | Ba [mm] | R Available bending radii [mm] | Weight [kg/m] |
|-------------------|---------|---------|--------------------------------|---------------|
| EA25.050.R.0. | 50 | 60 | 075 100 | ≈ 0,49 |

More widths upon request, please consult igus® for delivery time.

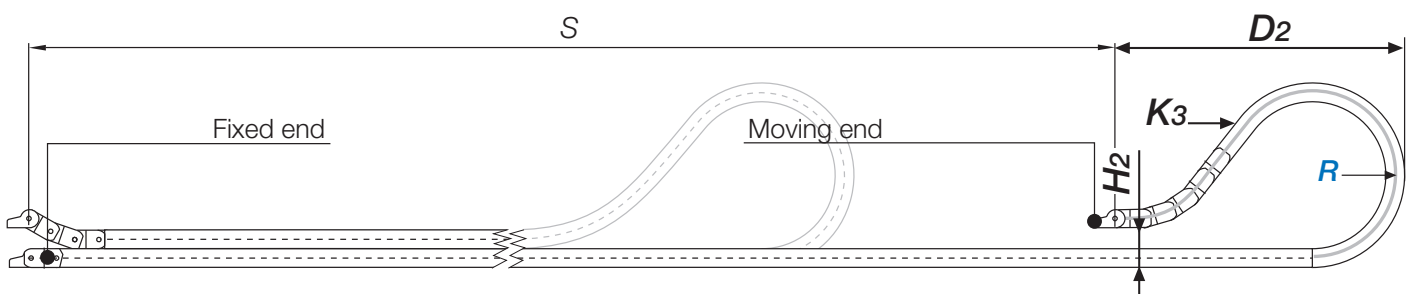
Supplement Part No. with required radius (R). Example: EA25.050.100.0 (+ mounting bracket EA25.050.12PZ)



Dimensions

| | |
|--------------|--------------|
| Inner height | 32 mm |
| Pitch | 25 mm/link |
| Links/m | 40 (1000 mm) |
| Chain length | $S + K_3$ |

Gliding applications | Long travels up to max. 20 m | Fill weight 0,4 [kg/m]



Note: We recommend to realize the engineering of such a plant by our technicians.

| | | |
|----------------|-----|------|
| R | 075 | 100 |
| H ₂ | 100 | 100 |
| D ₁ | 330 | 330 |
| K ₃ | 750 | 1125 |

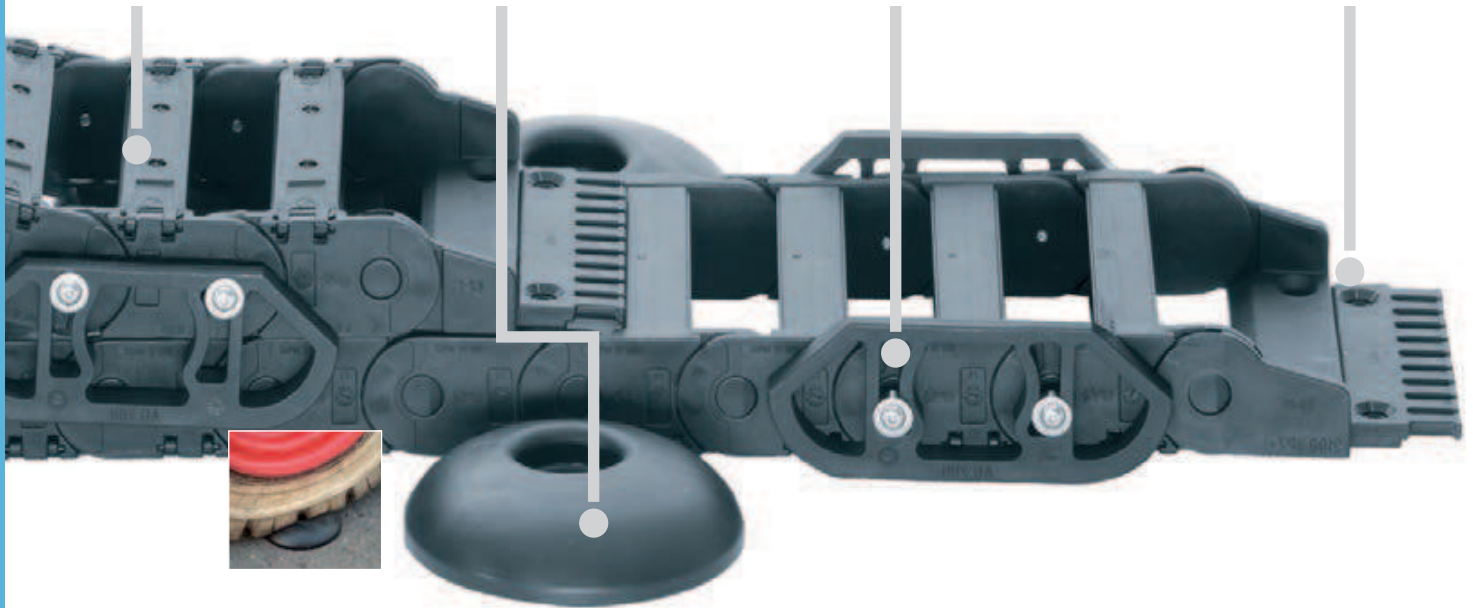
autoglide Version 04 | Introduction | Advantages

Easy to install:
snap-open along
outer radius

Practical:
Traversable
floor guides

Safe on track:
Assembled glide wing
feeds the e-chain®

Universal:
Mounting bracket
with strain relief



Special glide shoes provide a safe guiding for the E2/000 - autoglide Version 04

In this version, special plastic glide shoes are side-mounted on the e-chain® link every 1,000 to 2,000 mm. The function of these gliding shoes resembles the leeboards used on sail boats. Some of these glide shoes are conceived in such a way that in contact they pivot upwards and enable the continuation of the travel. Similarly the glide shoes in autoglide go up and down, each according to its position as lower run or upper run of the e-chain®. They provide the precise lateral guidance and a smooth glide of the e-chain®. The glide shoes are assembled every 24th e-chain® link from the moving end. Up to 10 m length without floor guides possible in the series 2400/2450/2480/2500.

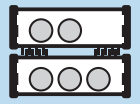
Typical industries and applications

- Industrial vehicles
- Long travels with easier filling
- Simple outdoor applications






Find a video online
▶ www.igus.eu/AG_Movie





Technical data

| | | |
|---|---|------------------------------|
|  | Speed max. gliding | max. 0,5 [m/s] |
| | Acceleration max. gliding | max. 1,0 [m/s ²] |
|  | Material - permitted temperature °C, igumid G | -40° up to +120° C |
|  | Flammability class, igumid G | VDE 0304 IIC UL94 HB |

Order example | Order key

 **Order example for complete e-chain® Series 2500AG (10 m), color black, with mounting brackets and interior separation:**

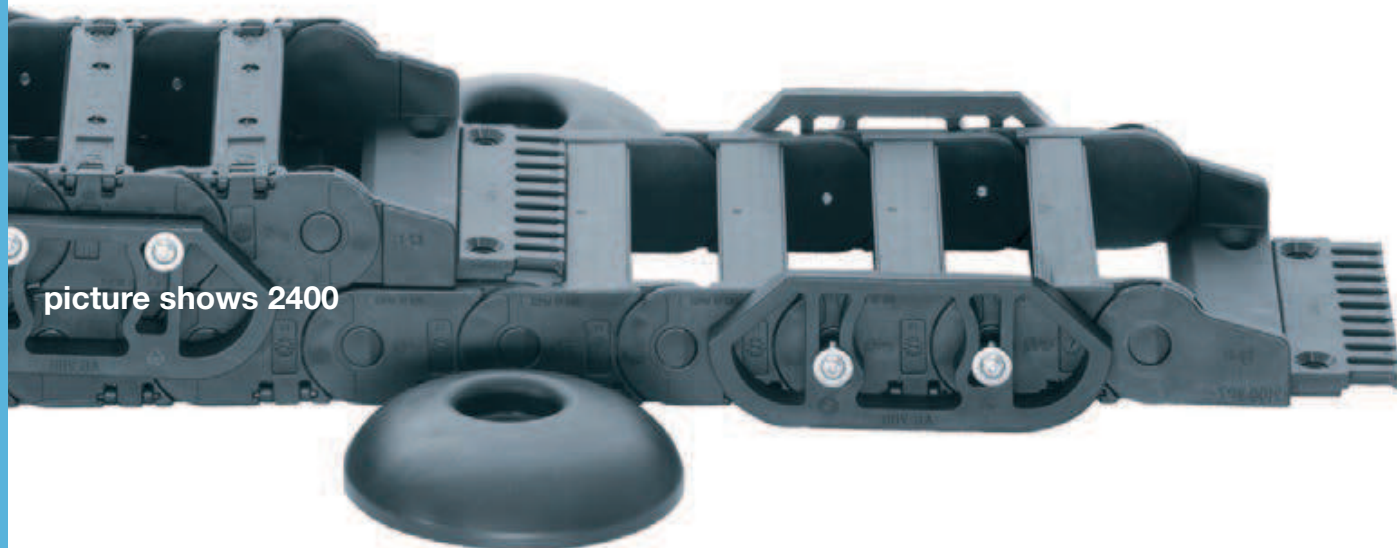
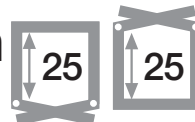
| | | |
|------------------------------|---|-------------------------|
| e-chain® (10 m) | Please indicate e-chain® length or number of links: 10 m or 249 links (Number of links in the assembly must still be deducted) | 2500.05.150.0 |
| e-chain® + glide wing | Assembly consists of 4 e-chain® links and 2 glide wings | 2500.05.150.0.AG |
| + Floor guides | 8 pieces (2 units every 2 m from the half of the travel) | AG.380.BF |

Order text: 209 links 2500.05.150.0 + 10 units 2500.05.150.0.AG + Mounting bracket + Interior separation (optional)

Note: The lateral glide wings are assembled on every 24th e-chain® link

 **Order key**
2500.05.150.0.AG



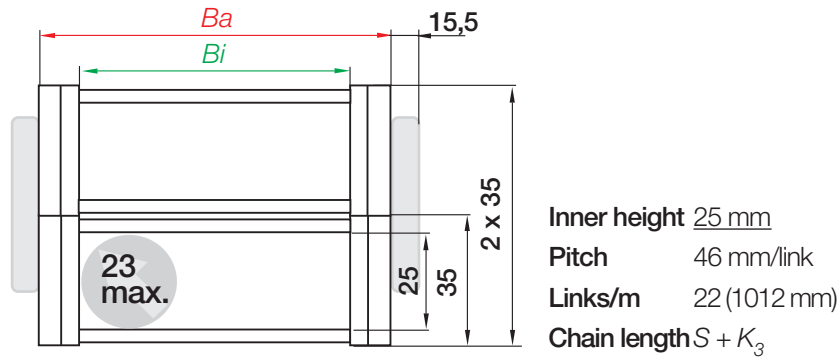


- e-chains® | Series 2400 snap-open along inner radius
- e-chains® | Series 2500 snap-open along outer radius | Standard
- Half e-tubes | Series 2450 snap-open along inner radius, enclosed along outer radius
- Full e-tubes | Series 2480 snap-open along inner radius, fully enclosed

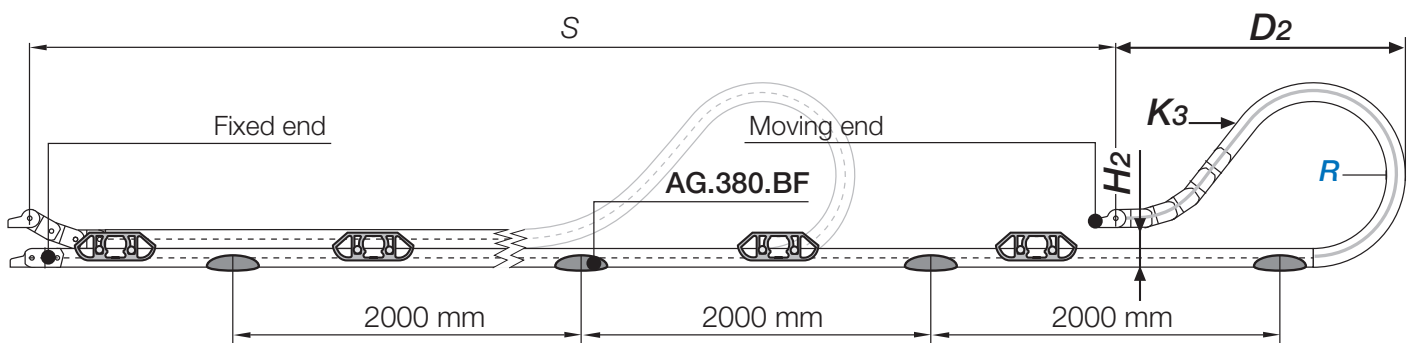
| Part No. e-chain®/e-tube | <i>Bi</i> [mm] | <i>Ba</i> [mm] | <i>R</i> Available bending radii [mm] | Floor guide single part |
|---|-------------------|-------------------|---|----------------------------|
| 2400/2500/2450/2480. 05 . <i>R</i> .0.AG | 57 | 73 | 055* 075 100 125 150 175 200 225 250 | AG.380.BF |
| 2400/2500/2450/2480. 07 . <i>R</i> .0.AG | 77 | 93 | 055* 075 100 125 150 175 200 225 250 | AG.380.BF |
| 2400/2500/2450/2480. 09 . <i>R</i> .0.AG | 89 | 105 | 055* 075 100 125 150 175 200 225 250 | AG.380.BF |
| 2400/2500/2450/2480. 10 . <i>R</i> .0.AG | 103 | 119 | 055* 075 100 125 150 175 200 225 250 | AG.380.BF |
| 2400/2500/2450/2480. 12 . <i>R</i> .0.AG | 125 | 141 | 055* 075 100 125 150 175 200 225 250 | AG.380.BF |

*Radius for Series 2450/2480 available upon request, please consult igus® for delivery time.

Supplement Part No. with required radius (R). Example: 2500.05.150.0.AG



Gliding applications | Long travels up to max. 20 m | Fill weight 1,6 kg/m



The lateral glide wings are assembled on every 24th e-chain® link

Note: We recommend to realize the engineering of such a plant by our technicians.

In case of travels <3 m we recommend an unsupported e-chain®.

| R | 055* | 075 | 100 | 125 | 150 | 175 | 200 | 225 | 250 |
|-------------------------------|------|-----|-----|------|------|------|------|------|------|
| H ₂ | 110 | 150 | 100 | 100 | 100 | 100 | 100 | 100 | 100 |
| D ₂ ⁺²⁵ | 142 | 162 | 380 | 440 | 590 | 755 | 950 | 1040 | 1130 |
| K ₃ | 506 | 598 | 920 | 1058 | 1426 | 1794 | 2208 | 2438 | 2668 |

*Radius for Series 2450/2480 available upon request, please consult igus® for delivery time.

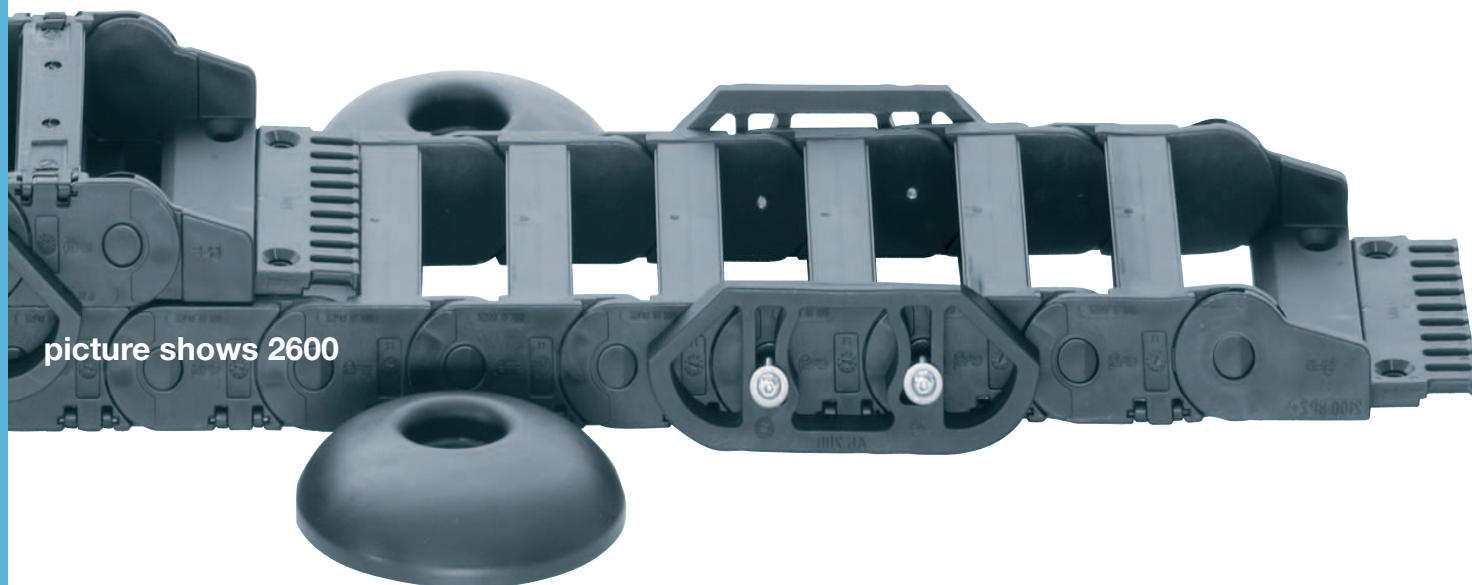
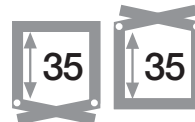
Accessories | More information ► www.igus.eu/autoglide



Optimized, cable-friendly interior separation program

Pivoting mounting brackets for gliding applications

KMA mounting bracket with all-sides attachment



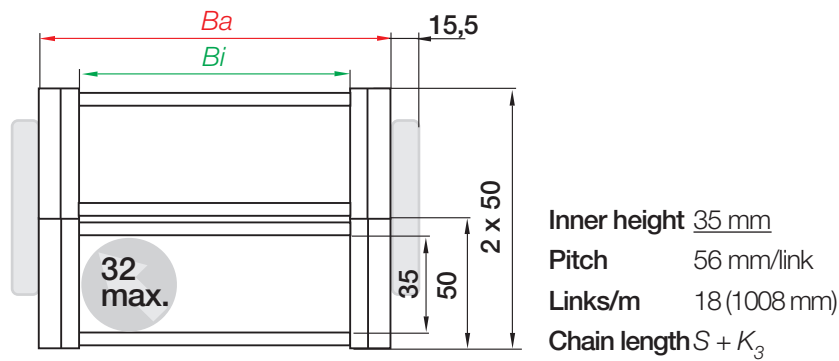
picture shows 2600

- e-chains® | Series 2600 snap-open along inner radius
- e-chains® | Series 2700 snap-open along outer radius | Standard
- Half e-tubes | Series 2650 snap-open along inner radius, enclosed along outer radius
- Full e-tubes | Series 2680 snap-open along inner radius, fully enclosed

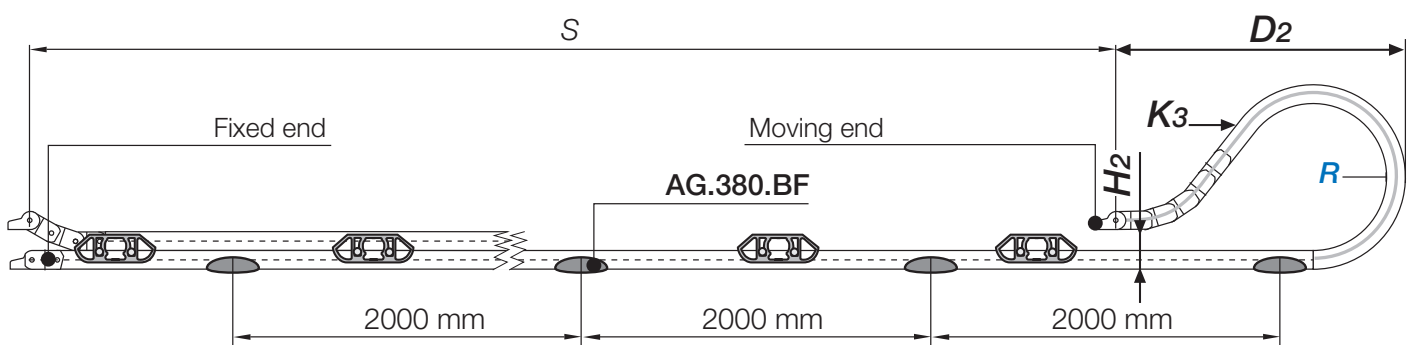
| Part No. e-chain®/e-tube | <i>Bi</i> [mm] | <i>Ba</i> [mm] | <i>R</i> Available bending radii [mm] | Floor guide single part |
|---|-------------------|-------------------|--|----------------------------|
| 2600/2650/2680/2700. 05 . <i>R</i> .0.AG | 50 | 66 | 075* 100 125 150 175 200 250 | AG.380.BF |
| 2600/2650/2680/2700. 06 . <i>R</i> .0.AG | 65 | 81 | 075* 100 125 150 175 200 250 | AG.380.BF |
| 2600/2650/2680/2700. 07 . <i>R</i> .0.AG | 75 | 91 | 075* 100 125 150 175 200 250 | AG.380.BF |
| 2600/2650/2680/2700. 09 . <i>R</i> .0.AG | 90 | 106 | 075* 100 125 150 175 200 250 | AG.380.BF |
| 2600/2650/2680/2700. 10 . <i>R</i> .0.AG | 100 | 116 | 075* 100 125 150 175 200 250 | AG.380.BF |
| 2600/2650/2680/2700. 12 . <i>R</i> .0.AG | 125 | 141 | 075* 100 125 150 175 200 250 | AG.380.BF |
| 2600/2650/2680/2700. 15 . <i>R</i> .0.AG | 150 | 166 | 075* 100 125 150 175 200 250 | AG.380.BF |
| 2600/2650/2680/2700. 17 . <i>R</i> .0.AG | 175 | 194 | 075* 100 125 150 175 200 250 | AG.380.BF |

*Radius for Series 2650/2680 available upon request, please consult igus® for delivery time.

Supplement Part No. with required radius (R). Example: 2600.05.100.0.AG



Gliding applications | Long travels up to max. 30 m | Fill weight 2,0 kg/m



The lateral glide wings are assembled on every 24th e-chain® link

Note: We recommend to realize the engineering of such a plant by our technicians.

In case of travels <3 m we recommend an unsupported e-chain®.

| R | 075* | 100 | 125 | 150 | 175 | 200 | 250 |
|----------------|------|-----|------|------|------|------|------|
| H ₂ | 150 | 166 | 166 | 166 | 166 | 166 | 166 |
| D ₂ | 150 | 350 | 475 | 500 | 655 | 770 | 950 |
| K ₃ | 616 | 840 | 1120 | 1232 | 1568 | 1848 | 2296 |

*Radius for Series 2650/2680 available upon request, please consult igus® for delivery time.

Accessories | More information ► www.igus.eu/autoglide



Optimized, cable-friendly interior separation program

Pivoting mounting brackets for gliding applications

KMA mounting bracket with all-sides attachment

X-ON Electronics

Largest Supplier of Electrical and Electronic Components

Click to view similar products for [Cable Mounting & Accessories](#) category:

Click to view products by [Iigus](#) manufacturer:

Other Similar products are found below :

[582603-1](#) [009333-000](#) [727844N003](#) [747](#) [809090N001](#) [843188-000](#) [8666](#) [967279N002](#) [DB-11](#) [1300840039](#) [1300900096](#) [1301800416](#)
[1302264450](#) [1300830184](#) [1300830729](#) [1300900039](#) [1301580036](#) [1301850553](#) [1301860939](#) [1302000074](#) [1302261315](#) [1302264431](#)
[1337706-2](#) [APA18-AK](#) [1724](#) [1-787307-1](#) [185491N001](#) [1868](#) [HP-6N](#) [C-202-C](#) [202C221-13-0](#) [CA7308-000](#) [8S23-75FR-CS8184](#) [2684](#) [9648](#)
[3089](#) [988382-000](#) [A72821-000](#) [AA401](#) [173506-000](#) [1823](#) [202C292-13-0](#) [202C302-13-0](#) [2109](#) [300625](#) [3330](#) [3412](#) [356247-1](#) [M9142](#)
[M9143](#)