



Half e-tubes | 2450 snap-open along inner radius from both sides, closed along outer radius

Full e-tubes | 2480 snap-open along inner radius from both sides, fully enclosed

Half e-tubes snap-open along the inner radius	Full e-tubes snap-open along the inner radius	<i>Bi</i> [mm]	<i>Ba</i> [mm]	<i>R</i> Bend radii [mm]	2450 [kg/m]	2480 [kg/m]
2450. 02 . <i>R</i> .0	2480. 02 . <i>R</i> .0	25	41	055* 075 100 125 150 175 200 225 250	≈ 0,80	≈ 0,82
2450. 03 . <i>R</i> .0	2480. 03 . <i>R</i> .0	38	54	055* 075 100 125 150 175 200 225 250	≈ 0,88	≈ 0,92
2450. 05 . <i>R</i> .0	2480. 05 . <i>R</i> .0	57	73	055* 075 100 125 150 175 200 225 250	≈ 0,99	≈ 1,03
2450. 07 . <i>R</i> .0	2480. 07 . <i>R</i> .0	77	93	055* 075 100 125 150 175 200 225 250	≈ 1,12	≈ 1,17
2450. 09 . <i>R</i> .0	2480. 09 . <i>R</i> .0	89	105	055* 075 100 125 150 175 200 225 250	≈ 1,20	≈ 1,26
2450. 10 . <i>R</i> .0	2480. 10 . <i>R</i> .0	103	119	055* 075 100 125 150 175 200 225 250	≈ 1,27	≈ 1,34
2450. 12 . <i>R</i> .0	2480. 12 . <i>R</i> .0	125	141	055* 075 100 125 150 175 200 225 250	≈ 1,35	≈ 1,43

*Radius available upon request, please consult igus® for delivery time

Radii 055: the e-tube is not completely enclosed. Please consult igus®

Supplement Part No. with required radius (*R*). Example: 2450.03.100.0

Open e-chains® in a flash with the igus® e-chain® opener

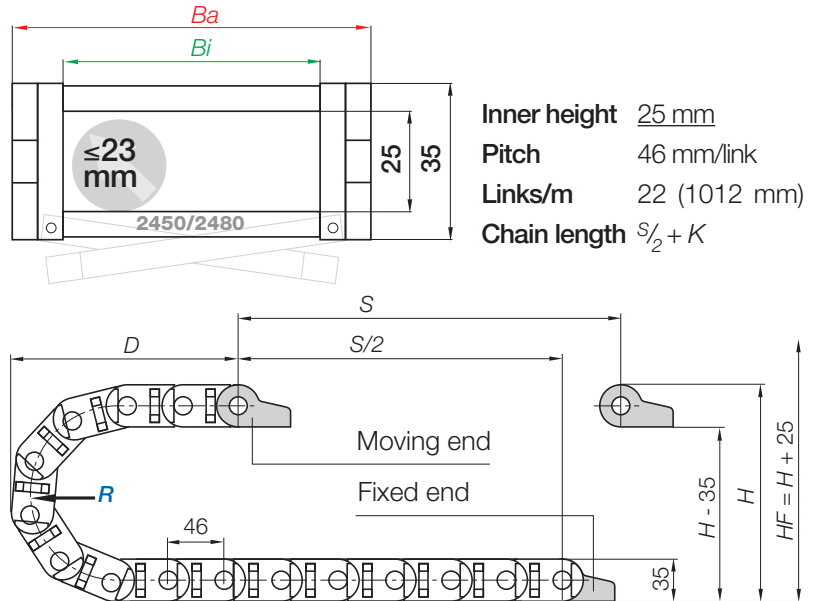
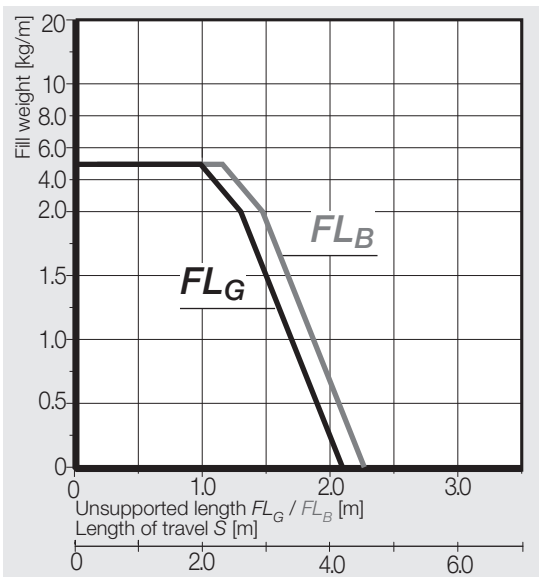
Reduce assembly time from 33 to 2 sec. with the igus® e-chain® opener. Open a long piece of e-chain® in one go. Part No. 908.254.2400 for series 2450. For widths *Bi* [mm]: 05, 07, 09

More information ► www.igus.eu/savetime





Unsupported applications | Short travels



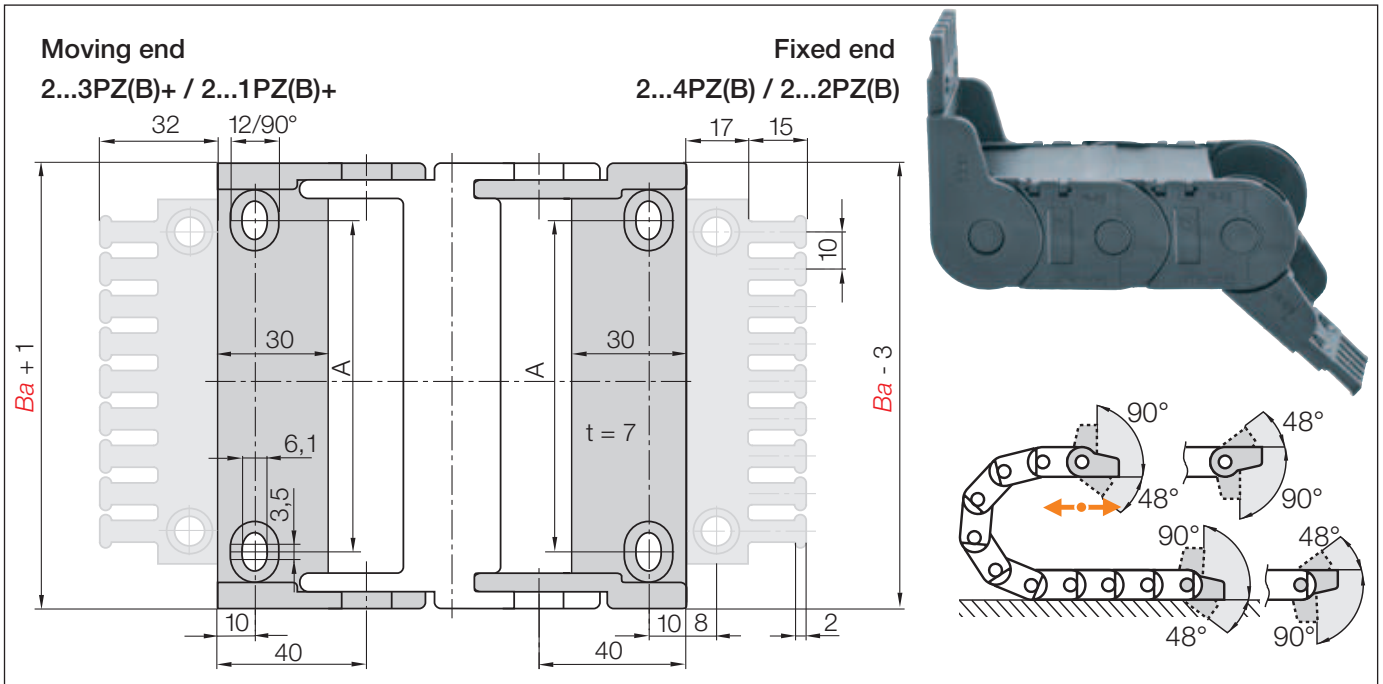
R	055*	075	100	125	150	175	200	225	250
H	145	185	235	285	335	385	435	485	535
D	142	162	187	212	237	262	287	312	337
K	265	330	410	485	565	645	725	800	880

The required clearance height: $H_F = H + 25\text{ mm}$ (with 1,5 kg/m fill weight)

*Radius available upon request, please consult igus® for delivery time. Before using series 2450/2480 on long travels please consult igus®.

E2/000 | e-tubes 2450·2480 | Accessories

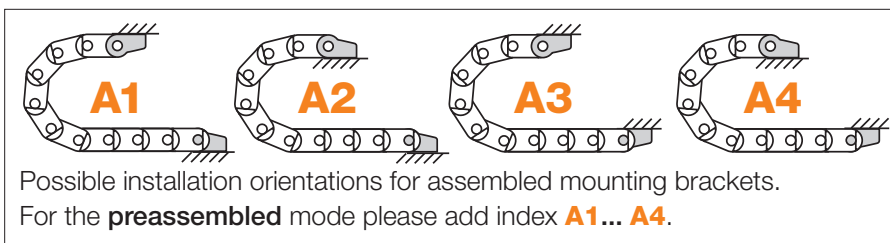
Mounting brackets, polymer | Pivoting | Locking



Polymer pivoting | Recommended for unsupported applications | **Standard**
Polymer locking | Recommended for vertical hanging and standing applications

Width Index	Standard	Part No. full set pivoting		Part No. full set locking		A [mm]	Number of teeth
		with tiewrap plates	without tiewrap plates	with tiewrap plates	without tiewrap plates		
.02.	▶	2020.34PZB+	2020.34PZ+	2020.12PZB+	2020.12PZ+	12	3
.03.	▶	2030.34PZB+	2030.34PZ+	2030.12PZB+	2030.12PZ+	25	4
.05.	▶	2050.34PZB+	2050.34PZ+	2050.12PZB+	2050.12PZ+	44	6
.07.	▶	2070.34PZB+	2070.34PZ+	2070.12PZB+	2070.12PZ+	64	8
.09.	▶	2090.34PZB+	2090.34PZ+	2090.12PZB+	2090.12PZ+	77	9
.10.	▶	2100.34PZB+	2100.34PZ+	2100.12PZB+	2100.12PZ+	90	10
.12.	▶	2125.34PZB+	2125.34PZ+	2125.12PZB+	2125.12PZ+	112	12

Full set with tiewrap plate + 10 cable tiewraps, please add index **K1+** ▶ e.g. 2020.34PZBK1+



Part No. structure

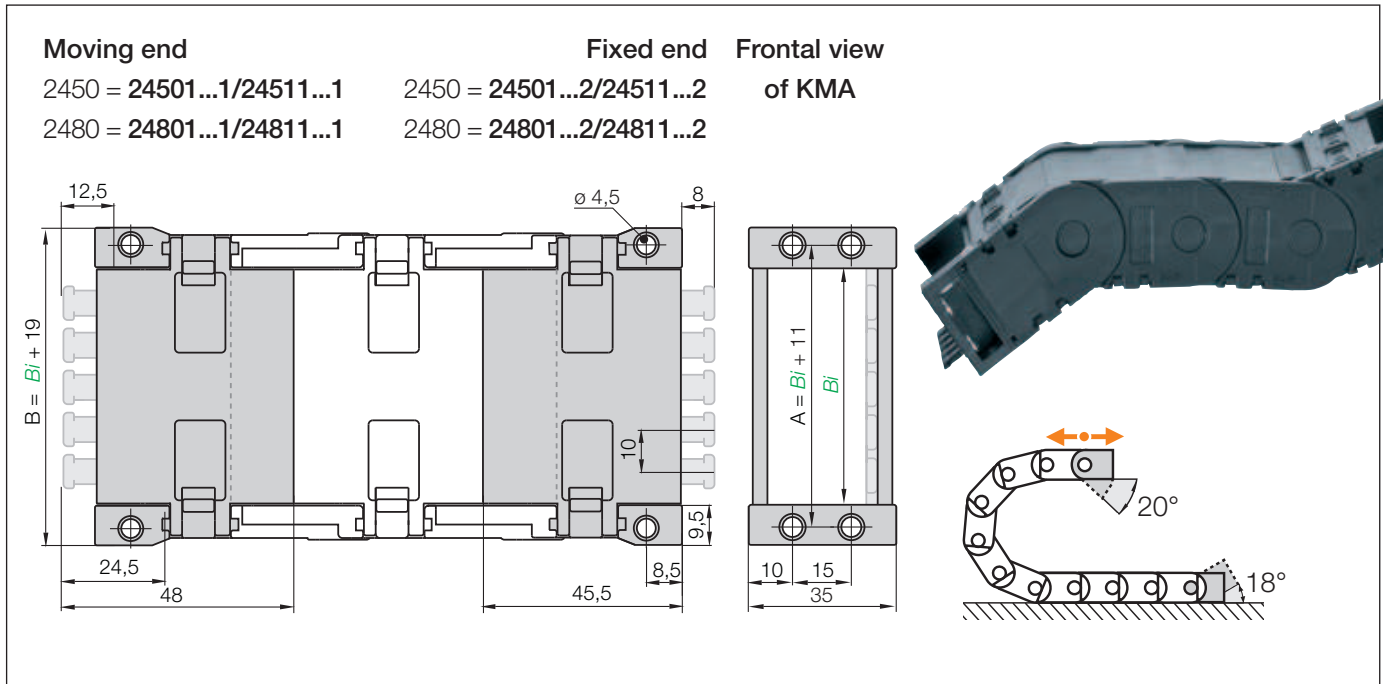
2020.34PZB+ A1



Strain relief e.g. clamps, tiewrap plates, nuggets and plug-in clips are available from stock. The complete chainfix range with order options ▶ from page 656

E2/000 | e-tubes 2450-2480 | Accessories

KMA mounting brackets | Attachment from any side | Pivoting | Locking



KMA pivoting | Recommended for unsupported applications

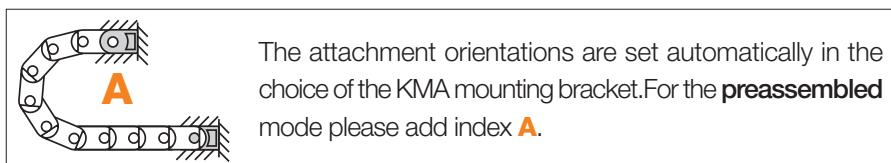
KMA locking | Recommended for vertical hanging and standing applications

Width Index	Part No. full set KMA pivoting		Part No. full set KMA locking		A [mm]	B [mm]	Number of teeth
	with tie-wrap plates	without tie-wrap plates	with tie-wrap plates	without tie-wrap plates			
.02.	▶ 24501 24801 .02.12ZB	24501 24801 .02.12	24511 24811 .02.12ZB	24511 24811 .02.12	36	44	2
.03.	▶ 24501 24801 .03.12ZB	24501 24801 .03.12	24511 24811 .03.12ZB	24511 24811 .03.12	49	57	4
.05.	▶ 24501 24801 .05.12ZB	24501 24801 .05.12	24511 24811 .05.12ZB	24511 24811 .05.12	68	76	6
.07.	▶ 24501 24801 .07.12ZB	24501 24801 .07.12	24511 24811 .07.12ZB	24511 24811 .07.12	88	86	7
.09.	▶ 24501 24801 .09.12ZB	24501 24801 .09.12	24511 24811 .09.12ZB	24511 24811 .09.12	100	108	9
.10.	▶ 24501 24801 .10.12ZB	24501 24801 .10.12	24511 24811 .10.12ZB	24511 24811 .10.12	114	122	10
.12.	▶ 24501 24801 .12.12ZB	24501 24801 .12.12	24511 24811 .12.12ZB	24511 24811 .12.12	136	144	12

KMA pivoting Part No. 24501... for half e-tube series 2450 / Part No. 24801... for full e-tube series 2480

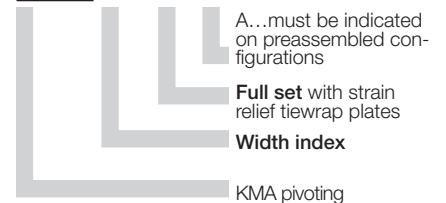
KMA locking Part No. 24511... for half e-tube series 2450 / Part No. 24811... for full e-tube series 2480

(KMA = Polymer Metal Mounting Bracket)



Part No. structure

24501.02.12ZBA



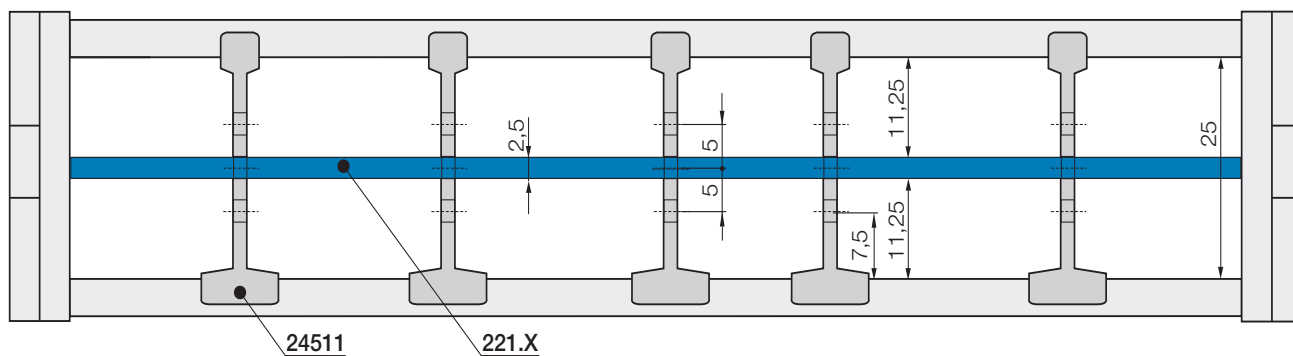
Option: steel **pivoting** Part No. 2000.32 - for e-chains® and e-tubes available

- Pivoting connections
- One part (2-piece) for all e-chain® widths
- Electrically conductive


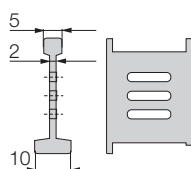


Strain relief e.g. clamps, tie-wrap plates, nuggets and plug-in clips are available from stock. The complete chainfix range with order options ▶ from page 656

Interior separation




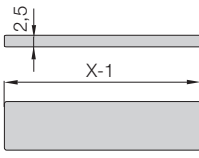
No lateral spacing to side links necessary.
As standard separators are assembled every 2nd e-chain® link.

Slotted separator for e-tubes
unassembled **24501**
assembled **24511**

Slotted separator 24501

Is used when vertical separation is required. Due to its slot, it allows basic vertical/horizontal shelving arrangements.

Full-width shelf for e-tubes
unassembled **220.X**
assembled **221.X**

Full-width shelf 220.X

This option is for applications with many thin cables with similar diameters. Full-width shelves can be fitted at 3 different heights.

Full-width shelves

Width X [mm]	unassembled	assembled	Width X [mm]	unassembled	assembled	Width X [mm]	unassembled	assembled
025	220.25	221.25	077	220.77	221.77	125	220.125	221.125
038	220.38	221.38	090	220.90	221.90			
057	220.57	221.57	103	220.103	221.103			

X-ON Electronics

Largest Supplier of Electrical and Electronic Components

Click to view similar products for [Cable Mounting & Accessories](#) category:

Click to view products by [Igus](#) manufacturer:

Other Similar products are found below :

[HP-4N](#) [582603-1](#) [009333-000](#) [727844N003](#) [809090N001](#) [8109](#) [843188-000](#) [843459N001](#) [843460N003](#) [8666](#) [967279N002](#) [GPQC1/0](#) [DB-11](#) [1300830208](#) [1300840039](#) [1300900026](#) [1300990052](#) [1301740005](#) [1301800121](#) [1301800416](#) [1300830184](#) [1300990149](#) [1301580036](#) [1301720103](#) [1301720135](#) [1301720152](#) [1301720157](#) [1301740009](#) [1301770011](#) [1301850553](#) [1301860939](#) [1302000074](#) [1302264431](#) [1337706-2](#) [APA18-AK](#) [MTX6UTPSRC-C](#) [1-787307-1](#) [185491N001](#) [HP-6N](#) [C-202-C](#) [202C221-13-0](#) [OMTM-S10-C0](#) [205339-4](#) [CA7308-000](#) [8S23-75FR-CS8184](#) [2684](#) [9648](#) [3089](#) [988382-000](#) [A0270164](#)