



Half e-tubes | 3450 snap-open along inner radius from both sides, closed along outer radius

Full e-tubes | 3480 snap-open along inner radius from both sides, fully enclosed

Half e-tubes snap-open along the inner radius	Full e-tubes snap-open along the inner radius	<i>Bi</i> [mm]	<i>Ba</i> [mm]	<i>R</i> Bend radii [mm]	3450 [kg/m]	3480 [kg/m]
3450. 050 . <i>R</i> .0	3480. 050 . <i>R</i> .0	50	70	075* 100* 125 150 200 250 300	≈ 1,77	≈ 1,96
3450. 075 . <i>R</i> .0	3480. 075 . <i>R</i> .0	75	95	075* 100* 125 150 200 250 300	≈ 1,95	≈ 2,07
3450. 100 . <i>R</i> .0	3480. 100 . <i>R</i> .0	100	120	075* 100* 125 150 200 250 300	≈ 2,15	≈ 2,30
3450. 115 . <i>R</i> .0	3480. 115 . <i>R</i> .0	115	135	075* 100* 125 150 200 250 300	≈ 2,30	≈ 2,46
3450. 125 . <i>R</i> .0	3480. 125 . <i>R</i> .0	125	145	075* 100* 125 150 200 250 300	≈ 2,42	≈ 2,49
3450. 150 . <i>R</i> .0	3480. 150 . <i>R</i> .0	150	170	075* 100* 125 150 200 250 300	≈ 2,60	≈ 2,62
3450. 175 . <i>R</i> .0	3480. 175 . <i>R</i> .0	175	195	075* 100* 125 150 200 250 300	≈ 2,75	≈ 2,80
3450. 200 . <i>R</i> .0	3480. 200 . <i>R</i> .0	200	220	075* 100* 125 150 200 250 300	≈ 2,90	≈ 2,94
3450. 225 . <i>R</i> .0	3480. 225 . <i>R</i> .0	225	245	075* 100* 125 150 200 250 300	≈ 3,15	≈ 3,12
3450. 250 . <i>R</i> .0	3480. 250 . <i>R</i> .0	250	270	075* 100* 125 150 200 250 300	≈ 3,30	≈ 3,28

*Radius available upon request, please consult igus® for delivery time

Radii 075, 100: the e-tube is not completely enclosed. Please consult igus®

Supplement Part No. with required radius (*R*). Example: 3450.075.200.0

Open e-chains® in a flash with the igus® e-chain® opener

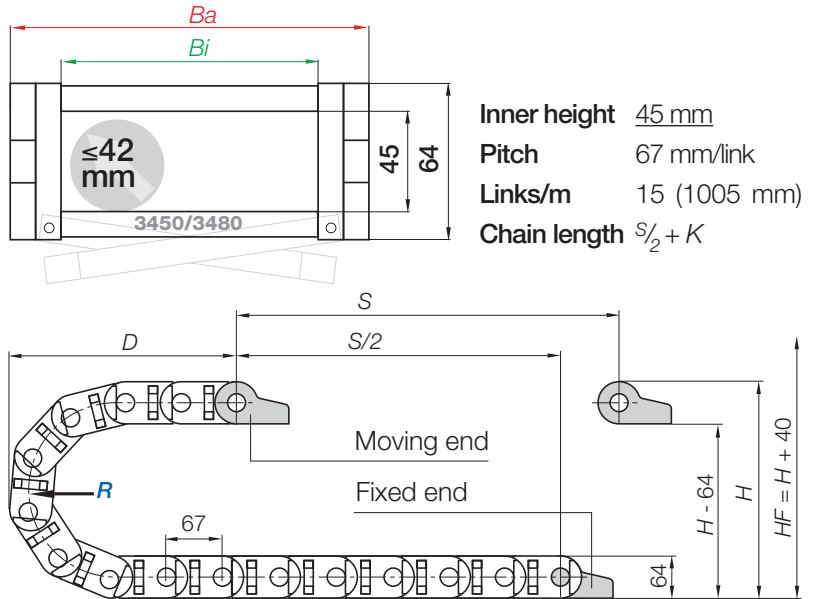
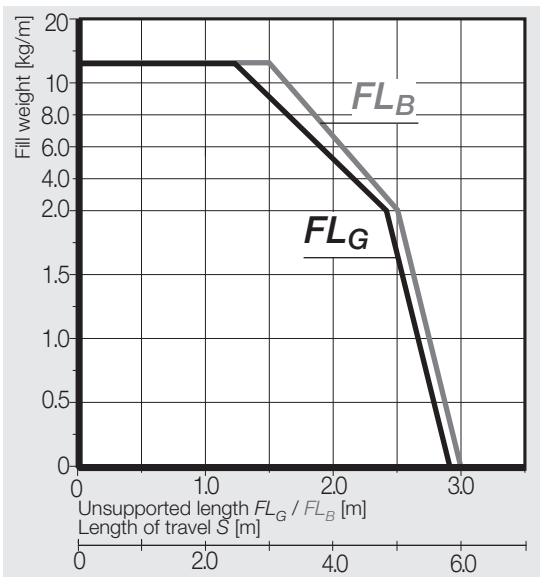
Reduce assembly time from 33 to 2 sec. with the igus® e-chain® opener. Open a long piece of e-chain® in one go. Part No. 908.254.3400 for series 3450. For widths *Bi* [mm]: 050, 075, 100, 115.

More information ► www.igus.eu/savetime





Unsupported applications | Short travels



Inner height 45 mm
Pitch 67 mm/link
Links/m 15 (1005 mm)
Chain length $S/2 + K$

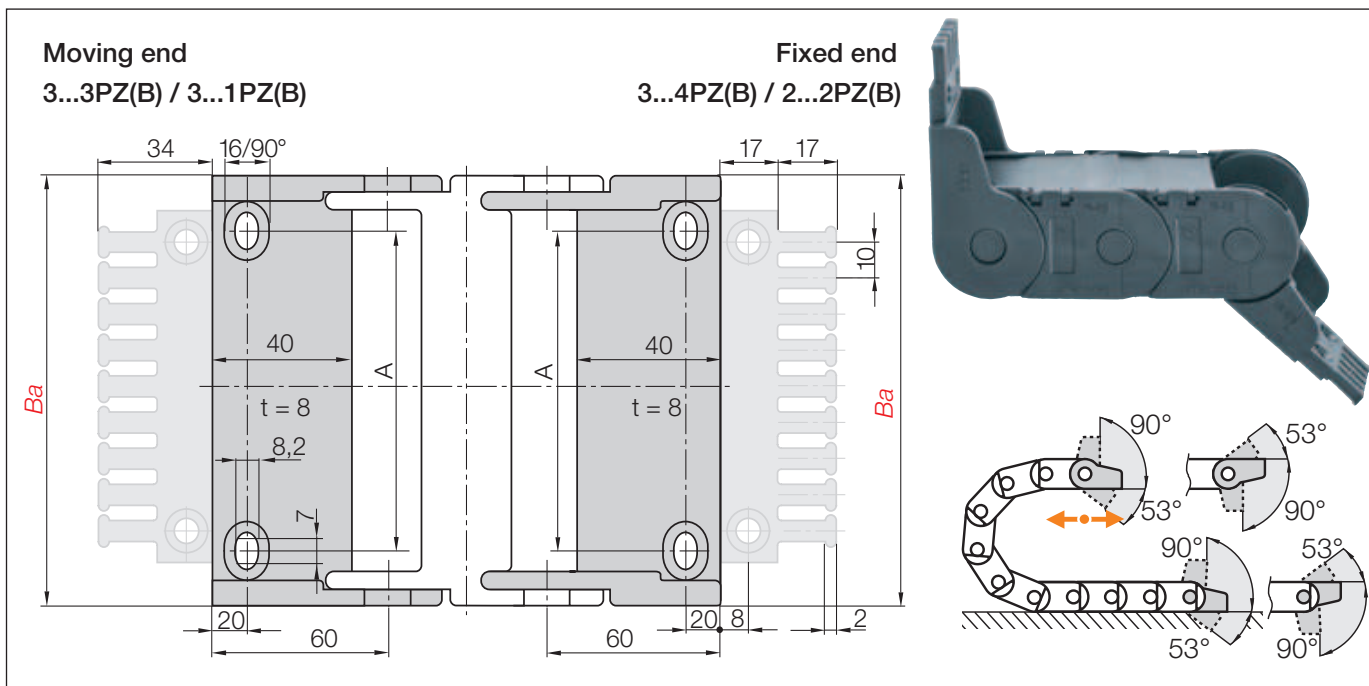
R	075*	100*	125	150	200	250	300
H	214	264	314	364	464	564	664
D	208	233	258	283	333	383	433
K	370	450	530	610	765	920	1080

The required clearance height: $H_F = H + 40$ mm (with 2,5 kg/m fill weight)

*Radius available upon request, please consult igus® for delivery time. Before using series 3450/3480 on long travels please consult igus®.

E2/000 | e-tubes 3450·3480 | Accessories

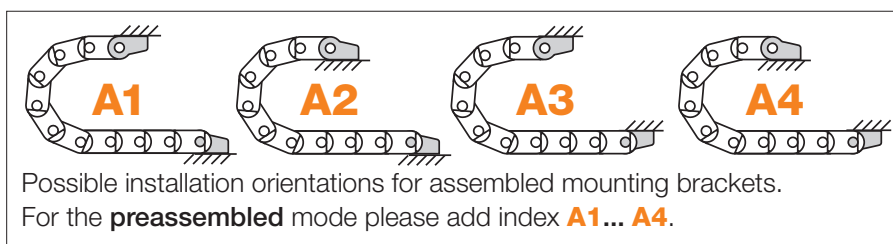
Mounting brackets, polymer | Pivoting | Locking



Polymer pivoting | Recommended for unsupported applications | **Standard**
Polymer locking | Recommended for vertical hanging and standing applications

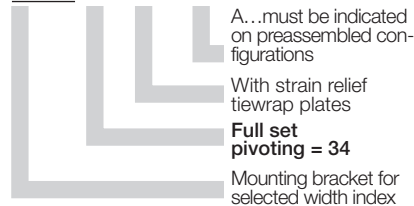
Width Index	Standard	Part No. full set pivoting		Part No. full set locking		A [mm]	Number of teeth
		with tiewrap plates	without tiewrap plates	with tiewrap plates	without tiewrap plates		
.050.	▶	3050.34PZB	3050.34PZ	3050.12PZB	3050.12PZ	28	5
.075.	▶	3075.34PZB	3075.34PZ	3075.12PZB	3075.12PZ	53	7
.100.	▶	3100.34PZB	3100.34PZ	3100.12PZB	3100.12PZ	78	10
.115.	▶	3115.34PZB	3115.34PZ	3115.12PZB	3115.12PZ	93	11
.125.	▶	3125.34PZB	3125.34PZ	3125.12PZB	3125.12PZ	103	12
.150.	▶	3150.34PZB	3150.34PZ	3150.12PZB	3150.12PZ	128	15
.175.	▶	3175.34PZB	3175.34PZ	3175.12PZB	3175.12PZ	153	17
.200.	▶	3200.34PZB	3200.34PZ	3200.12PZB	3200.12PZ	178	20
.225.	▶	3225.34PZB	3225.34PZ	3225.12PZB	3225.12PZ	203	22
.250.	▶	3250.34PZB	3250.34PZ	3250.12PZB	3250.12PZ	228	25

Full set with tiewrap plate + 10 cable tiewraps, please add index **K1** ▶ e.g. 3250.34PZBK1



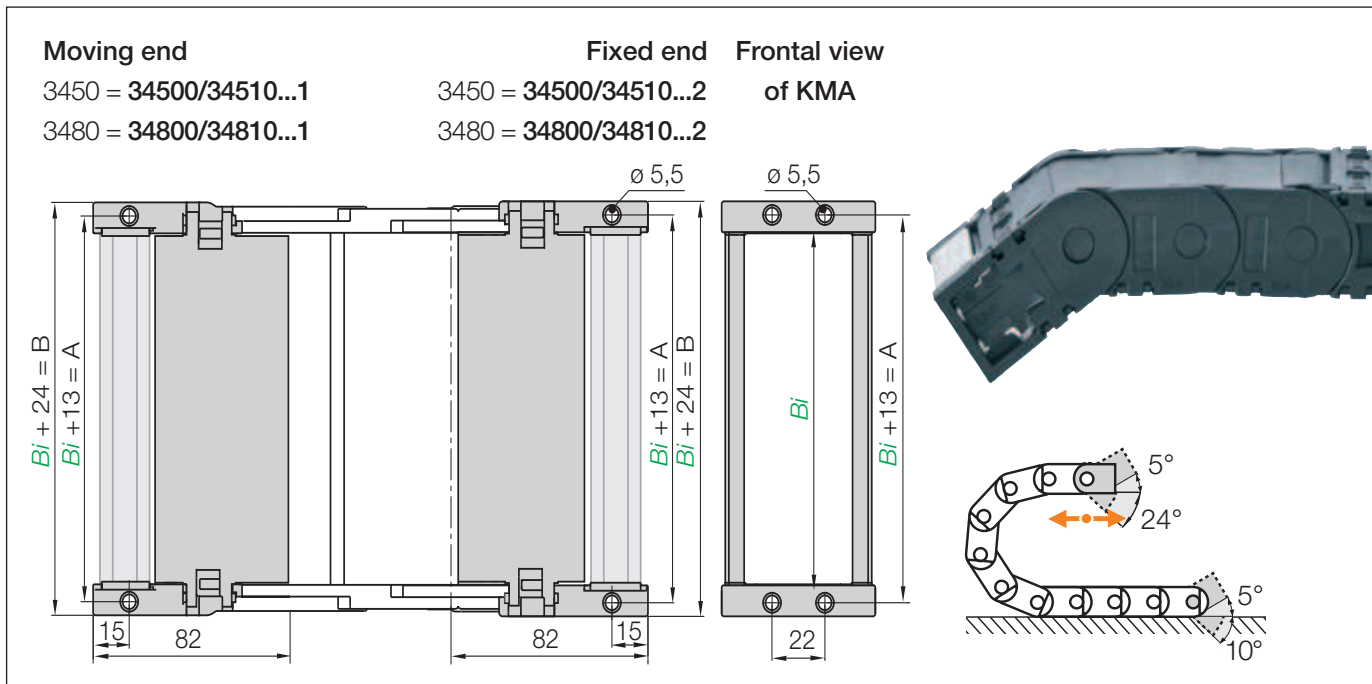
Part No. structure

3075. 34 PZB A1



 **Strain relief** e.g. clamps, tiewrap plates, nuggets and plug-in clips are available from stock. The complete chainfix range with order options ▶ from page 656

KMA mounting brackets | Attachment from any side | Pivoting | Locking



KMA pivoting | Recommended for unsupported applications

KMA locking | Recommended for vertical hanging and standing applications

Width Index	Part No. full set KMA pivoting		Part No. full set KMA locking		A [mm]	B [mm]
	with C-profile	without C-profile	with C-profile	without C-profile		
.050. ▶	34500 34800 .050.12.C	34500 34800 .050.12	34510 34810 .050.12.C	34510 34810 .050.12	63	74
.075. ▶	34500 34800 .075.12.C	34500 34800 .075.12	34510 34810 .075.12.C	34510 34810 .075.12	88	99
.100. ▶	34500 34800 .100.12.C	34500 34800 .100.12	34510 34810 .100.12.C	34510 34810 .100.12	113	124
.115. ▶	34500 34800 .115.12.C	34500 34800 .115.12	34510 34810 .115.12.C	34510 34810 .115.12	128	139
.125. ▶	34500 34800 .125.12.C	34500 34800 .125.12	34510 34810 .125.12.C	34510 34810 .125.12	138	149
.150. ▶	34500 34800 .150.12.C	34500 34800 .150.12	34510 34810 .150.12.C	34510 34810 .150.12	163	174
.175. ▶	34500 34800 .175.12.C	34500 34800 .175.12	34510 34810 .175.12.C	34510 34810 .175.12	188	199
.200. ▶	34500 34800 .200.12.C	34500 34800 .200.12	34510 34810 .200.12.C	34510 34810 .200.12	213	224
.225. ▶	34500 34800 .225.12.C	34500 34800 .225.12	34510 34810 .225.12.C	34510 34810 .225.12	238	249
.250. ▶	34500 34800 .250.12.C	34500 34800 .250.12	34510 34810 .250.12.C	34510 34810 .250.12	263	274

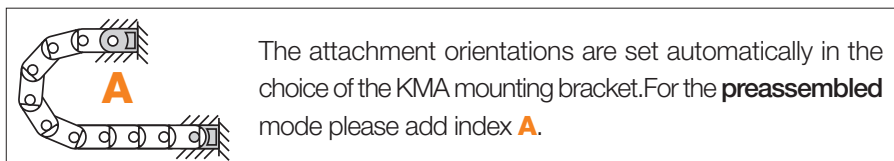
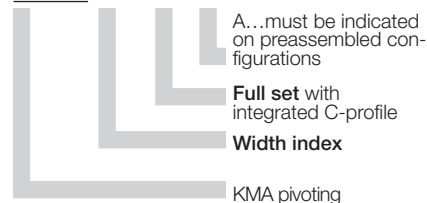
KMA pivoting Part No. 34500... for half e-tube series 3450 / Part No. 34800... for full e-tube series 3480

KMA locking Part No. 34510... for half e-tube series 3450 / Part No. 34810... for full e-tube series 3480

(KMA = Polymer Metal Mounting Bracket)

Part No. structure

34500.075.12.C A



Option: steel pivoting Part No. 3000.12 - for e-chains® and e-tubes available

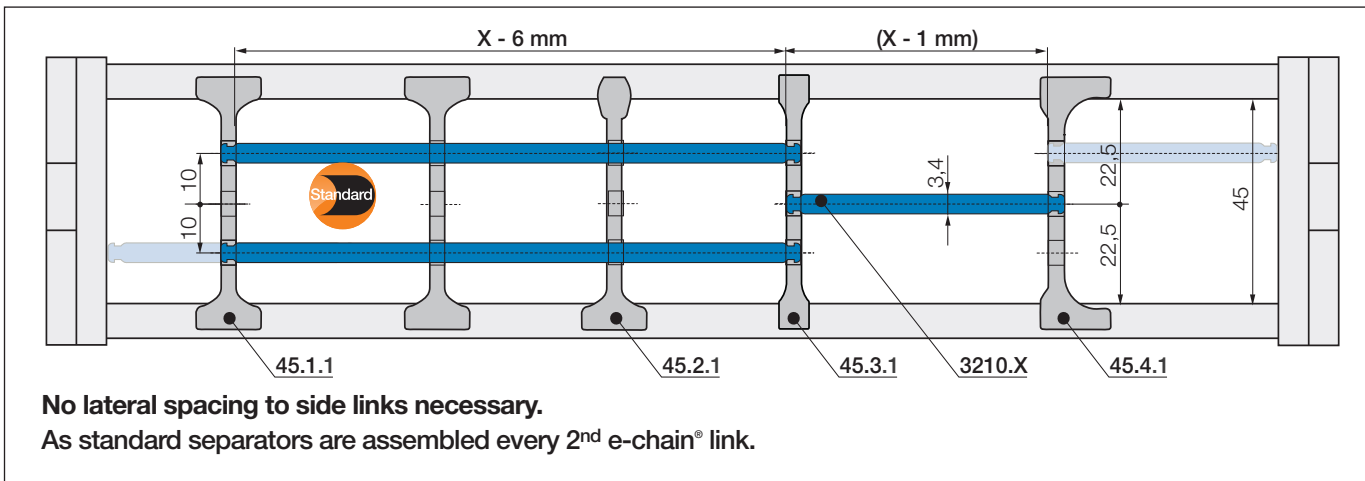

- Pivoting connections
- One part (2-piece) for all e-chain® widths
- Electrically conductive



Strain relief e.g. clamps, tie-wrap plates, nuggets and plug-in clips are available from stock. The complete chainfix range with order options ▶ from page 656

Interior separation | New generation

Previous interior separation with optional elements ► www.igus.eu/3450 ► www.igus.eu/3480





Standard separator, wide base

unassembled	45.1
assembled	45.1.1

Standard - for any application

Separator with a wide base for maximum holding strength in the e-chain®.




Separator, narrow head

unassembled	45.2
assembled	45.2.1

For even faster installation

Wide on one side for high holding strength, narrow on opposite side for easy cable fitting.




Separator, narrow base

unassembled	45.3
assembled	45.3.1

For thin cables

Separator with a narrow base for a large number of thin cables side by side. Saves space in e-chains®.




Separator, asymmetrical

unassembled	45.4
assembled	45.4.1

For side-mounted applications

Asymmetrical separator, for defined distance. No additional spacers required.



Full-width shelf, lockable

unassembled	3200.X
assembled	3210.X

Horizontal separation

Full-width shelf locks securely into separators at both ends, giving a fixed width. Separators can be moved freely over the shelf in horizontal direction. Can be fitted at 3 different heights.



Lockable full-width shelves

Width X [mm]	unassembled	assembled	Width X [mm]	unassembled	assembled	Width X [mm]	unassembled	assembled
050	3200.050	3210.050	125	3200.125	3210.125	225	3200.225	3210.225
075	3200.075	3210.075	150	3200.150	3210.150	250	3200.250	3210.250
100	3200.100	3210.100	175	3200.175	3210.175			
115	3200.115	3210.115	200	3200.200	3210.200			

Extender crossbars

Extender crossbars only for series 3450 - large increase of the interior space for the smooth guiding of larger hoses.
Suitable for hoses with an outer diameter of max. 80 mm.

Extender crossbars for half e-tubes snap-open along the inner radius	<i>Bi</i> [mm]	<i>Ba</i> [mm]	<i>R</i> Bend radii [mm]
3450.100 D80.R.0	100	120	125 150 200 250 300
3450.200 D80.R.0	200	220	125 150 200 250 300

Supplement Part No. with required radius (*R*). Example: 3450.100D80.200.0

Interior separation for extender crossbars

Standard separator, wide base
unassembled 45/85.1
assembled 45/85.1.1

Standard separator, wide base

For maximum holding strength and safe standing. In standard configuration separators are assembled every 2nd link.

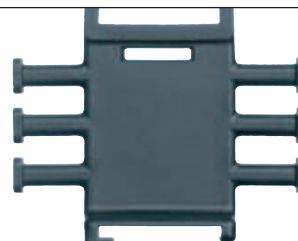
Full-width shelf, lockable
unassembled 3200.X
assembled 3210.X

Horizontal separation

Full-width shelf locks securely into separators at both ends, giving a fixed width. Separators can be moved freely over the shelf in horizontal direction. Can be fitted at 7 different heights.

Separator with integrated strain relief

Strain relief separator Part No. 34501.Z can be integrated into the mounting bracket and can be placed at any point of the e-chain®. It combines strain relief and interior separation, it can be installed on the first or last e-chain® link and is easy to assemble without any screws. **More information ► from page 676**



Optional: support tray kit - for support of the lower run

- Simple one-piece support trays according to your requirements and specification
 - Easy installation onto your machine, on profiles or wall-mount brackets
 - igus® support tray - available in 2 types and 4 options
- More information ► from page 740**



X-ON Electronics

Largest Supplier of Electrical and Electronic Components

Click to view similar products for [Cable Mounting & Accessories](#) category:

Click to view products by [Iigus](#) manufacturer:

Other Similar products are found below :

[HP-4N](#) [582603-1](#) [009333-000](#) [727844N003](#) [809090N001](#) [8109](#) [843188-000](#) [843459N001](#) [843460N003](#) [8666](#) [967279N002](#) [GPQC1/0](#) [DB-11](#) [1300830208](#) [1300840039](#) [1300900026](#) [1300990052](#) [1301740005](#) [1301800121](#) [1301800416](#) [1300830184](#) [1300990149](#) [1301580036](#) [1301720103](#) [1301720135](#) [1301720152](#) [1301720157](#) [1301740009](#) [1301770011](#) [1301850553](#) [1301860939](#) [1302000074](#) [1302264431](#) [1337706-2](#) [APA18-AK](#) [MTX6UTPSRC-C](#) [1-787307-1](#) [185491N001](#) [HP-6N](#) [C-202-C](#) [202C221-13-0](#) [OMTM-S10-C0](#) [205339-4](#) [CA7308-000](#) [8S23-75FR-CS8184](#) [2684](#) [9648](#) [3089](#) [988382-000](#) [A0270164](#)