


Series B17i snap-open along inner radius | Series B17 along outer radius | Standard

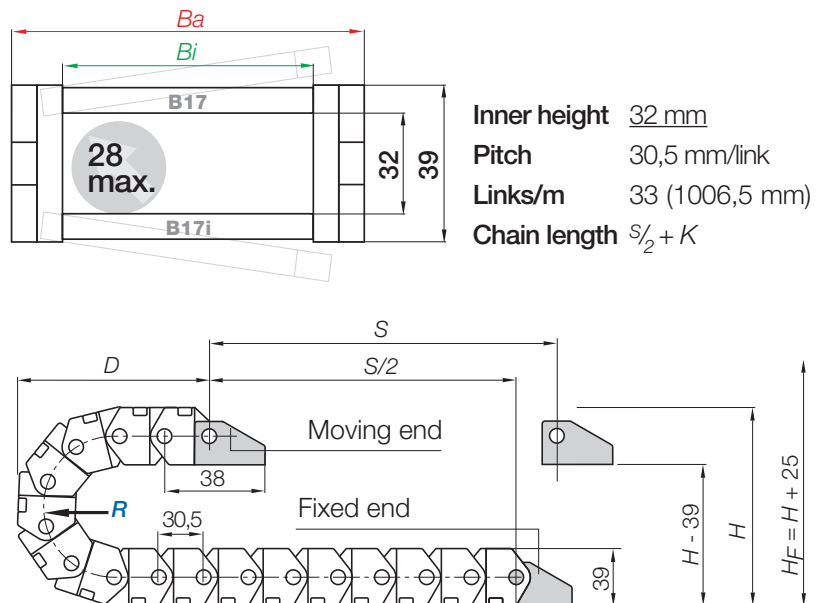
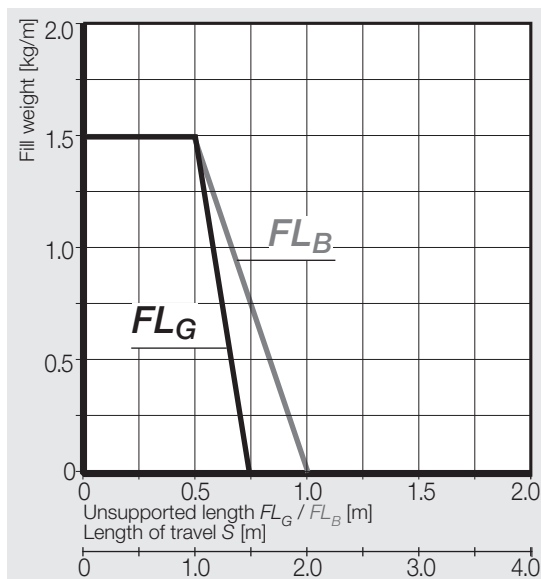
Snap-open along inner radius	Snap-open along outer radius 	<i>Bi</i> [mm]	<i>Ba</i> [mm]	<i>R</i> Bending radii [mm]	B17i [kg/m]	B17 [kg/m]
B17i.1 .R.0**	B17.1 .R.0	15	25,5	048 <sup>1)</sup>   063   075   100   125	≈ 0,52	≈ 0,52
B17i.2 .R.0	B17.2 .R.0	25	35,5	048   063 <sup>1)</sup>   075 <sup>1)</sup>   100 <sup>1)</sup>   125 <sup>1)</sup>	≈ 0,59	≈ 0,59
B17i.3 .R.0	B17.3 .R.0	38	48,5	048   063   075   100   125	≈ 0,65	≈ 0,65
B17i.4 .R.0	B17.4 .R.0	50	60,5	048   063 <sup>1)</sup>   075   100 <sup>1)</sup>   125	≈ 0,70	≈ 0,70
B17i.5 .R.0**	B17.5 .R.0	63	76	048*   063   075   100   125	≈ 0,83	≈ 0,83
B17i.6 .R.0**	B17.6 .R.0	80	93	048   063   075   100   125	≈ 0,92	≈ 0,92
B17i.7 .R.0**	B17.7 .R.0	100	113	048*   063   075   100   125	≈ 1,06	≈ 1,06

\*\*Width available upon request, please consult igus® for delivery time \*Radius available upon request, please consult igus® for delivery time

1) Radius only for Series B17. For Series B17i available upon request, please consult igus® for delivery time

Supplement Part No. with required radius (*R*). Example: **B17.2.048.0**

Dimensions



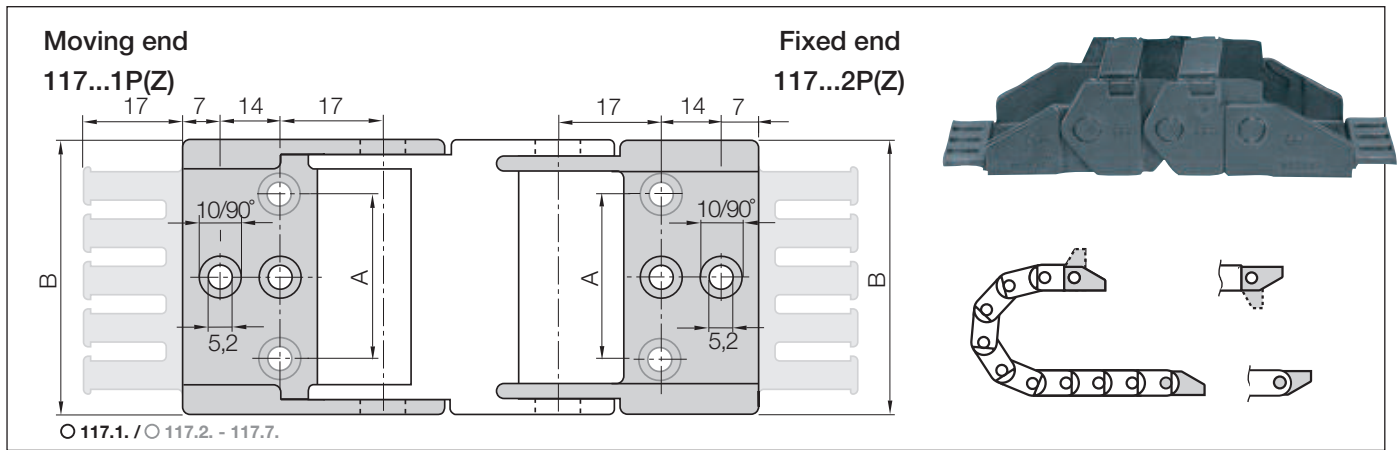
Inner height 32 mm  
Pitch 30,5 mm/link  
Links/m 33 (1006,5 mm)  
Chain length  $\frac{S}{2} + K$

<i>R</i>	048	063	075	100	125
<i>H</i>	135	165	189	239	289
<i>D</i>	113	128	140	165	190
<i>K</i>	215	260	300	380	455

The required clearance height:  $H_F = H + 25$  mm (with 1,5 kg/m fill weight)

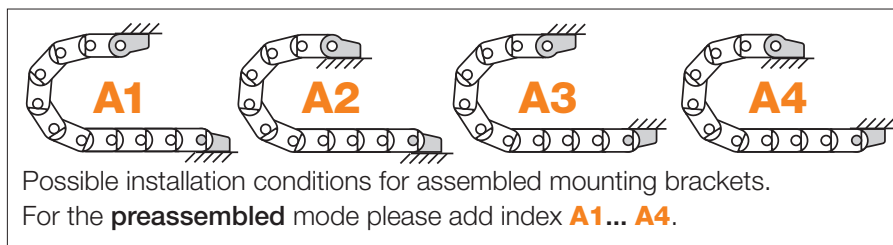
Radii for several widths available upon request (please see delivery program table above).

## Mounting brackets, polymer one-piece | locking



Width Index	Part No. full set with tiewrap plates	Part No. full set without tiewrap plates	Dim. A [mm]	Dim. B [mm]	Number of teeth
1.	117.1.12PZ	117.1.12P	–	25,5	2
2.	117.2.12PZ	117.2.12P	12	35,5	3
3.	117.3.12PZ	117.3.12P	25	48,5	4
4.	117.4.12PZ	117.4.12P	37	60,5	5
5.	117.5.12PZ	117.5.12P	48	76	6
6.	117.6.12PZ	117.6.12P	65	93	8
7.	117.7.12PZ	117.7.12P	85	113	10

○ Drilling pattern for width index: **117.1.** center bores only / ○ **117.2. -117.7.** outer bores only (see figure above)

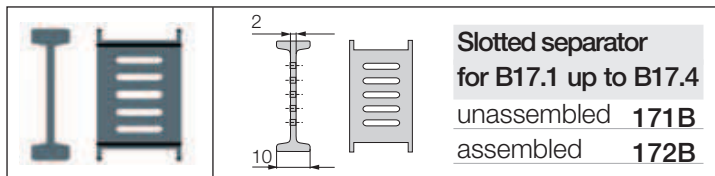


Possible installation conditions for assembled mounting brackets.  
For the **preassembled** mode please add index **A1... A4**.

### Part No. structure

<b>117.2. 12 PZ A1</b>	A... must be indicated on preassembled configurations
	With strain relief tiewrap plates
	<b>Full set locking</b>
	Mounting bracket for selected width index

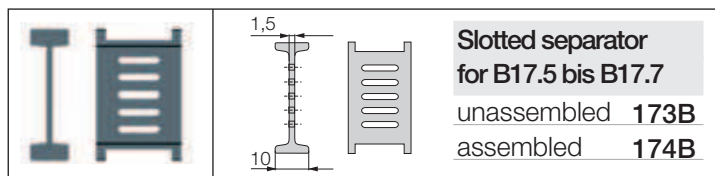
## Interior separation | Standard | Further interior separation elements ► [www.igus.eu/B17](http://www.igus.eu/B17)



**Slotted separator for B17.1 up to B17.4**  
unassembled **171B**  
assembled **172B**

### Slotted separator 171B (B17.1 up to B17.4)

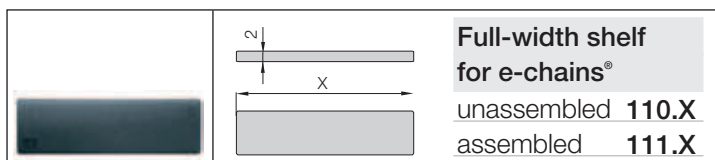
Is used when vertical separation is required. Due to its slot, it allows basic vertical/horizontal shelving arrangements.



**Slotted separator for B17.5 bis B17.7**  
unassembled **173B**  
assembled **174B**

### Slotted separator 173B (B17.5 up to B17.7)

Is used when vertical separation is required. Due to its slot, it allows basic vertical/horizontal shelving arrangements.



**Full-width shelf for e-chains®**  
unassembled **110.X**  
assembled **111.X**

### Full-width shelf 110.X (for all widths)

This option makes sense in applications with many thin cables with similar diameters. For a consequent subdivision. Full-width shelves can be arranged at 5 different heights (in 5 mm increments).

### Full-width shelves

Width X [mm]	unassembled	assembled	Width X [mm]	unassembled	assembled	Width X [mm]	unassembled	assembled
015	110.15	111.15	050	110.50	111.50	100	110.100	111.100
025	110.25	111.25	063	110.63	111.63			
038	110.38	111.38	080	110.80	111.80			

## X-ON Electronics

Largest Supplier of Electrical and Electronic Components

*Click to view similar products for [Cable Mounting & Accessories](#) category:*

*Click to view products by [Iigus](#) manufacturer:*

Other Similar products are found below :

[8945](#) [8950](#) [8961](#) [582603-1](#) [CXA-0069](#) [D-150-0175CS2902](#) [70.060.1628.0](#) [770-1102](#) [770-1204](#) [770-1205-10](#) [770-1301-10](#) [770-1306](#) [770-1422](#) [770-1602](#) [770-1603](#) [770-1604](#) [770-1607](#) [790-1002](#) [809090N001](#) [843188-000](#) [843459N001](#) [8666](#) [PVC10512-BLACK-500](#) [PVC1056-BLACK-500](#) [1301800416](#) [1300830184](#) [1300830729](#) [1302000074](#) [1302261315](#) [APA18-AK](#) [MSK-0001](#) [1-787307-1](#) [1868](#) [HP-6N](#) [C-202-C](#) [CA7308-000](#) [229408-1](#) [KC-201](#) [8949](#) [8952](#) [8S23-75FR-CS8184](#) [2684](#) [9648](#) [3089](#) [A72821-000](#) [AA401](#) [173506-000](#) [1823](#) [2057](#) [2109](#)