



**Series E08 | Split crossbar along the outer radius**  
**Series Z08 | Split crossbar along the inner radius**

Standard	Split crossbar along outer radius	Split crossbar along inner radius	Bi [mm]	Ba [mm]	R Bending radii [mm]	Weight [kg/m]
E08.10	.R.0 <sup>1)</sup>	Z08.10 .R.0 <sup>1)</sup>	10	18,2	025*   028   038   048	≈ 0,21
E08.16	.R.0 <sup>2)</sup>	Z08.16 .R.0 <sup>2)</sup>	16	24,2	025*   028   038   048	≈ 0,24
E08.20	.R.0	Z08.20 .R.0	20	28,2	025*   028   038   048	≈ 0,25
E08.30	.R.0	Z08.30 .R.0	30	38,2	025*   028   038   048	≈ 0,28
E08.40	.R.0	Z08.40 .R.0	40	48,2	025*   028   038   048	≈ 0,31
E08.50	.R.0	Z08.50 .R.0	50	58,2	025*   028   038   048	≈ 0,37

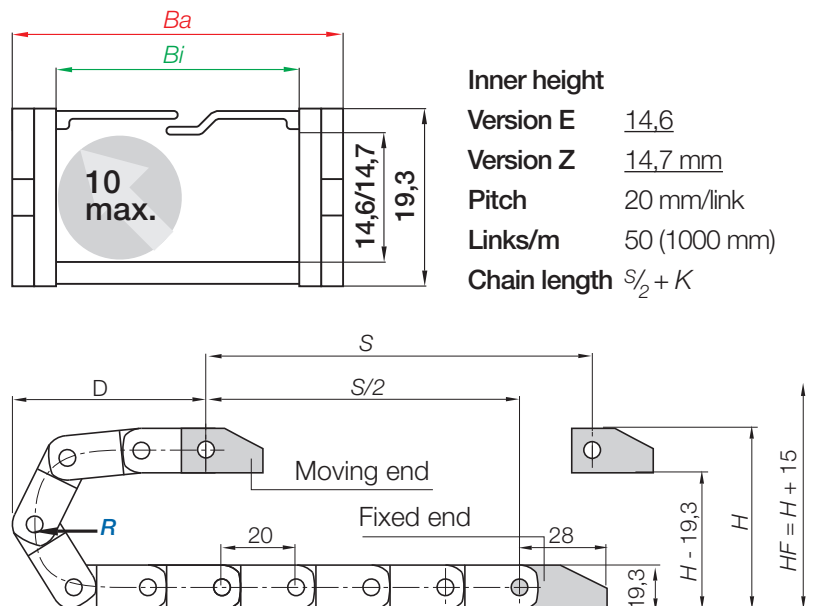
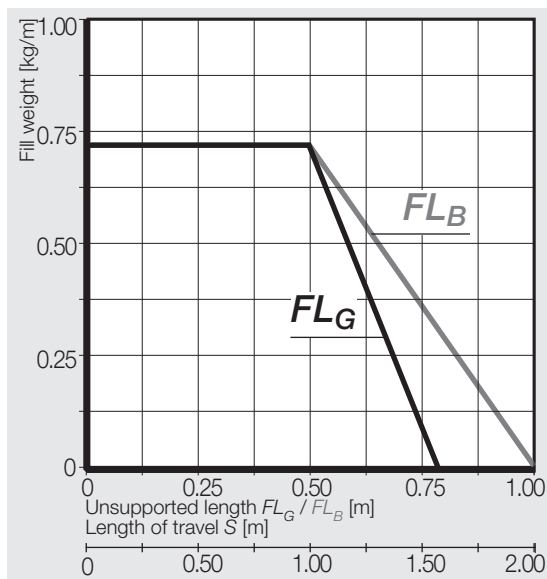
1) Crossbars do not overlap. Gap = 5,5 mm / 2) Crossbars do not overlap. Gap = 4,0 mm

\*Radius available upon request, please consult igus® for delivery time

Supplement Part No. with required radius (R). Example: **E08.10.028.0**

Ba: pin dimension approx. 0,3 - 0,5 mm wider.

**Dimensions**



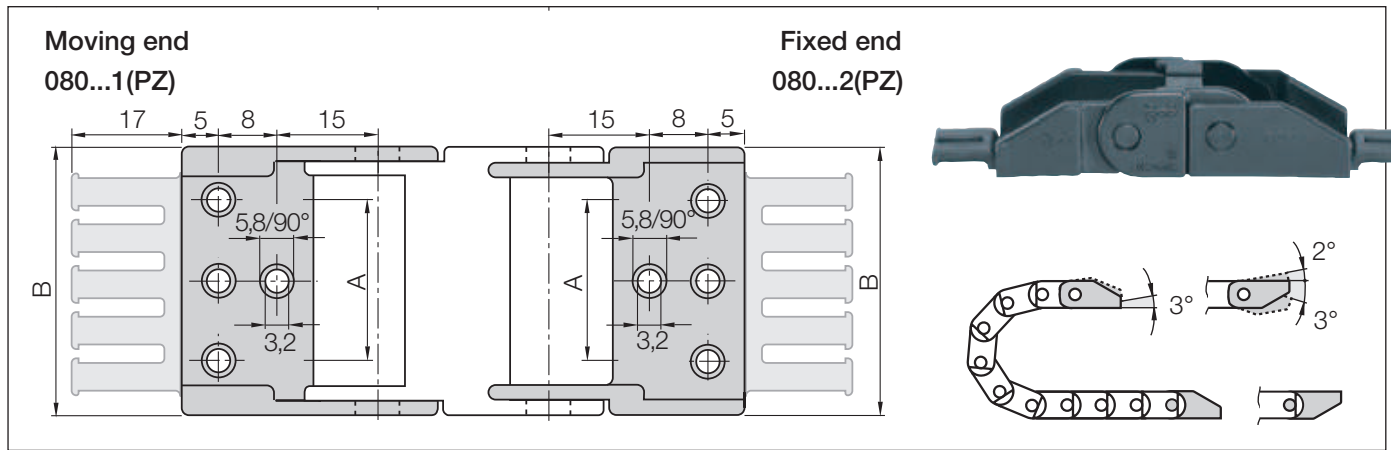
**Inner height**  
Version E 14,6  
Version Z 14,7 mm  
Pitch 20 mm/link  
Links/m 50 (1000 mm)  
Chain length  $S/2 + K$

R	025*	028	038	048
H	69	75	95	115
D	65	68	78	88
K	120	130	160	195

The required clearance height:  $H_F = H + 15$  mm (with 0,3 kg/m fill weight)

\*Radius available upon request, please consult igus® for delivery time

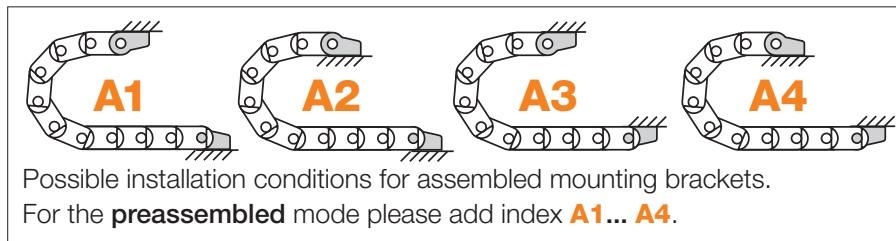
Mounting brackets, polymer one-piece | locking | More features ► [www.igus.eu/08](http://www.igus.eu/08)



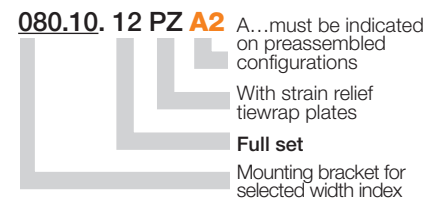
Width Index	Standard	Part No. full set with tie-wrap plates	Part No. full set without tie-wrap plates	Dim. A [mm]	Dim. B [mm]	Number of teeth
.10.	►	080.10. 12PZ	080.10. 12	–	18,2	1
.16.	►	080.16. 12PZ	080.16. 12	–	24,2	2
.20.	►	080.20. 12PZ	080.20. 12	–	28,2	2
.30.	►	080.30. 12PZ	080.30. 12	22	38,2	3
.40.	►	080.40. 12PZ	080.40. 12	32	48,2	4
.50.	►	080.50. 12PZ	080.50. 12	42	58,2	5

Material mounting bracket - igumid G, temperature: -40° up to +120° C, VDE 0304 IIC UL94-HB

Drilling pattern for width index: 080.10. - 080.20. center bores only / 080.30. - 080.50. all bores (see figure above)



Part No. structure



## X-ON Electronics

Largest Supplier of Electrical and Electronic Components

*Click to view similar products for [Cable Mounting & Accessories](#) category:*

*Click to view products by [Iigus](#) manufacturer:*

Other Similar products are found below :

[8945](#) [8950](#) [8961](#) [582603-1](#) [CXA-0069](#) [D-150-0175CS2902](#) [70.060.1628.0](#) [770-1102](#) [770-1204](#) [770-1205-10](#) [770-1301-10](#) [770-1306](#) [770-1422](#) [770-1602](#) [770-1603](#) [770-1604](#) [770-1607](#) [790-1002](#) [809090N001](#) [843188-000](#) [843459N001](#) [8666](#) [PVC10512-BLACK-500](#) [PVC1056-BLACK-500](#) [1301800416](#) [1300830184](#) [1300830729](#) [1302000074](#) [1302261315](#) [APA18-AK](#) [MSK-0001](#) [1-787307-1](#) [1868](#) [HP-6N](#) [C-202-C](#) [CA7308-000](#) [229408-1](#) [KC-201](#) [8949](#) [8952](#) [8S23-75FR-CS8184](#) [2684](#) [9648](#) [3089](#) [A72821-000](#) [AA401](#) [173506-000](#) [1823](#) [202C302-13-02057](#)