

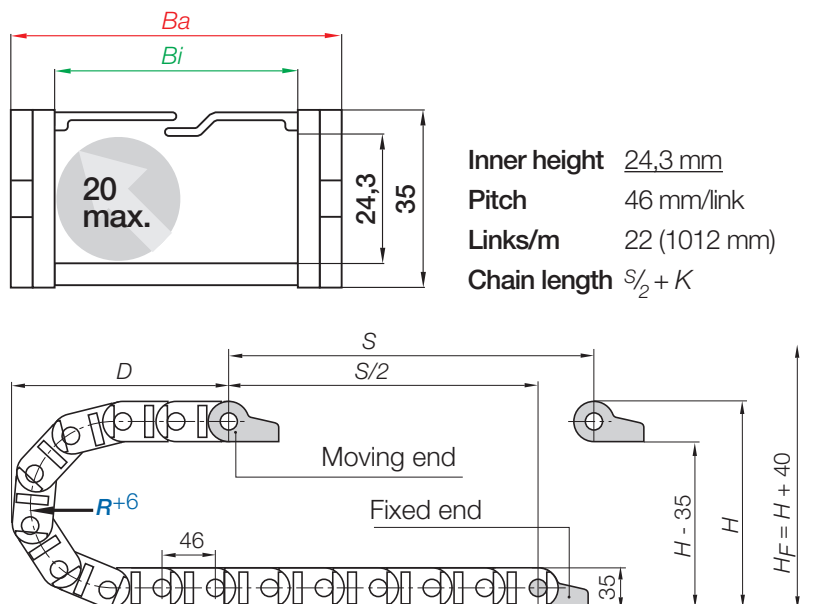
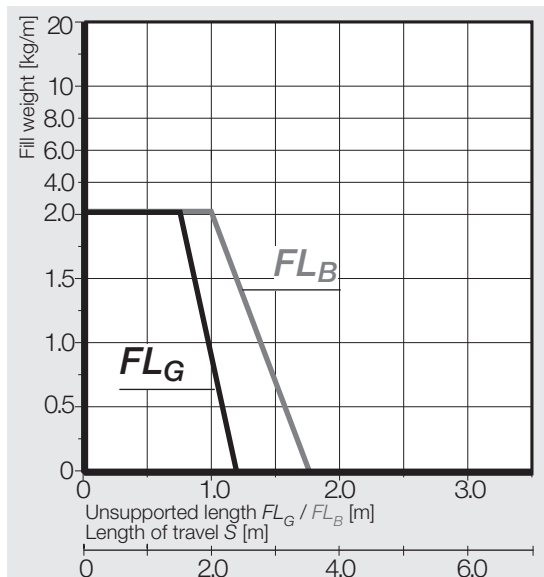
Series E200 | Split crossbar along the outer radius | 1 / 2-chamber system  
Series Z200 | Split crossbar along the inner radius | 1 / 2-chamber system

Chamber system	Split crossbar along outer radius	Split crossbar along inner radius	Bi [mm]	Ba [mm]	R Bending radii [mm]	Weight [kg/m]
1-chamber	E200.05.R.0	Z200.05.R.0	57	74,4	055   075   100   150   200	≈ 0,70
2-chamber	E200.2/35.R.0	Z200.2/35.R.0	37/37	94,4	055   075   100   150   200	≈ 0,79
	E200.2/50.R.0	Z200.2/50.R.0	50/50	120,4	055   075   100   150   200	≈ 0,82

Supplement Part No. with required radius (R). Example: E200.05.150.0

Ba: pin dimension approx. 0,1 - 0,3 mm wider.

Dimensions

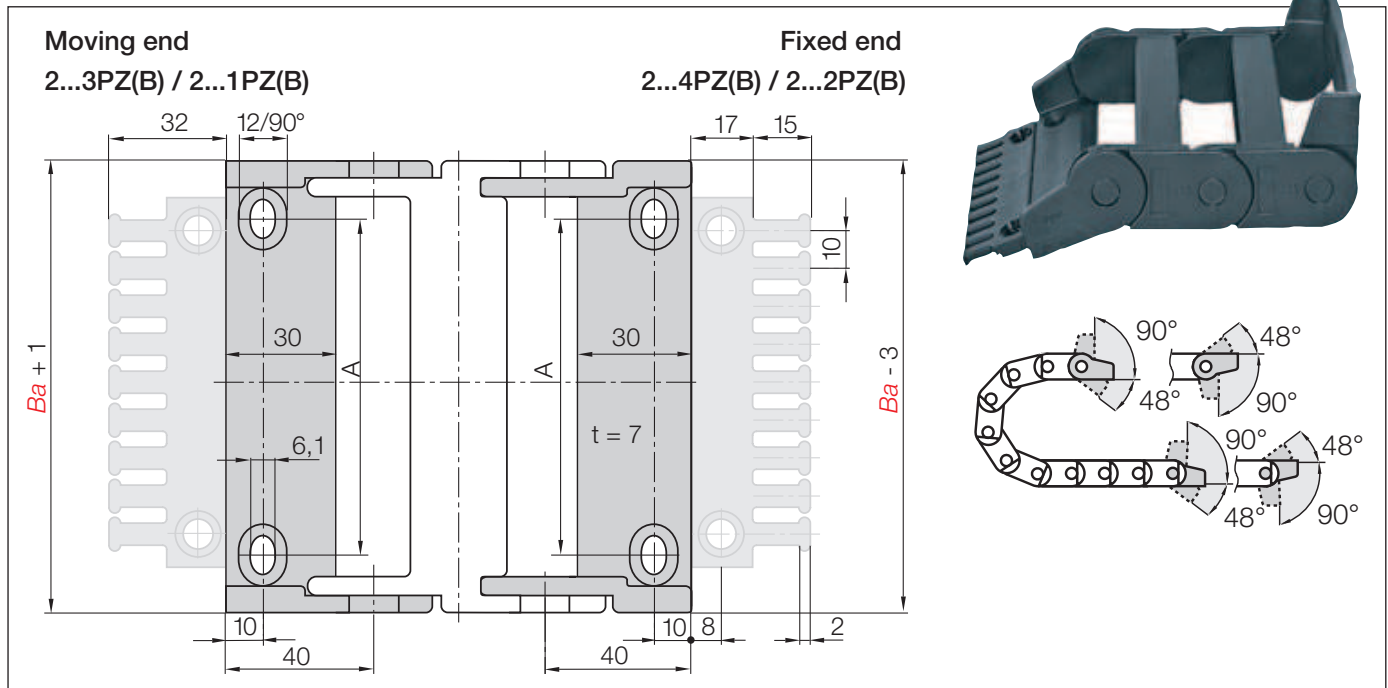


R	055	075	100	150	200
H +4	145	185	235	335	435
D	142	162	187	237	287
K	265	330	410	565	725

The required clearance height:  $H_F = H + 40$  mm (with 2,0 kg/m fill weight)



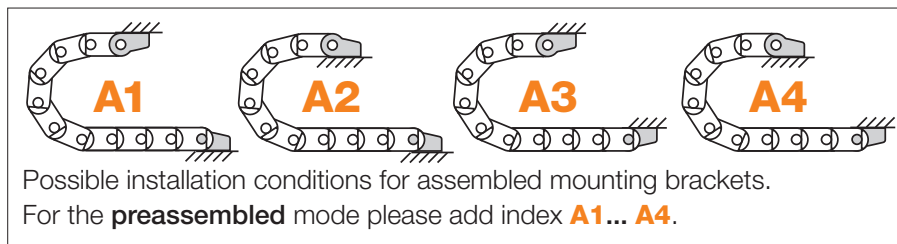
Mounting brackets, polymer | pivoting | locking



Width Index	Standard	Part No. full set pivoting:		Part No. full set locking:		Dim. A [mm]	Number of teeth
		with tiewrap plates	without tiewrap plates	with tiewrap plates	without tiewrap plates		
.05.	▶	2050.34PZB	2050.34PZ	2050.12PZB	2050.12PZ	44	6
.2/35.	▶	2070.34PZB	2070.34PZ	2070.12PZB	2070.12PZ	64	8
.2/50.	▶	2100.34PZB	2100.34PZ	2100.12PZB	2100.12PZ	90	10

Material mounting bracket - igumid G, temperature: -40° up to +120° C, VDE 0304 IIC UL94-HB

Full set with tiewrap plate + 10 cable tiewraps, please add index **K1** ▶ e.g. 2050.34PZBK1



Part No. structure

**2050. 34 PZB A1** A... must be indicated on preassembled configurations

- With strain relief tiewrap plates
- Full set pivoting**
- Mounting bracket for selected width index

## X-ON Electronics

Largest Supplier of Electrical and Electronic Components

*Click to view similar products for [Cable Mounting & Accessories](#) category:*

*Click to view products by [Iigus](#) manufacturer:*

Other Similar products are found below :

[8945](#) [8950](#) [8961](#) [582603-1](#) [CXA-0069](#) [D-150-0175CS2902](#) [70.060.1628.0](#) [770-1102](#) [770-1204](#) [770-1205-10](#) [770-1301-10](#) [770-1306](#) [770-1422](#) [770-1602](#) [770-1603](#) [770-1604](#) [770-1607](#) [790-1002](#) [809090N001](#) [843188-000](#) [843459N001](#) [8666](#) [PVC10512-BLACK-500](#) [PVC1056-BLACK-500](#) [1301800416](#) [1300830184](#) [1300830729](#) [1302000074](#) [1302261315](#) [APA18-AK](#) [MSK-0001](#) [1-787307-1](#) [1868](#) [HP-6N](#) [C-202-C](#) [CA7308-000](#) [229408-1](#) [KC-201](#) [8949](#) [8952](#) [8S23-75FR-CS8184](#) [2684](#) [9648](#) [3089](#) [A72821-000](#) [AA401](#) [173506-000](#) [1823](#) [2057](#) [2109](#)