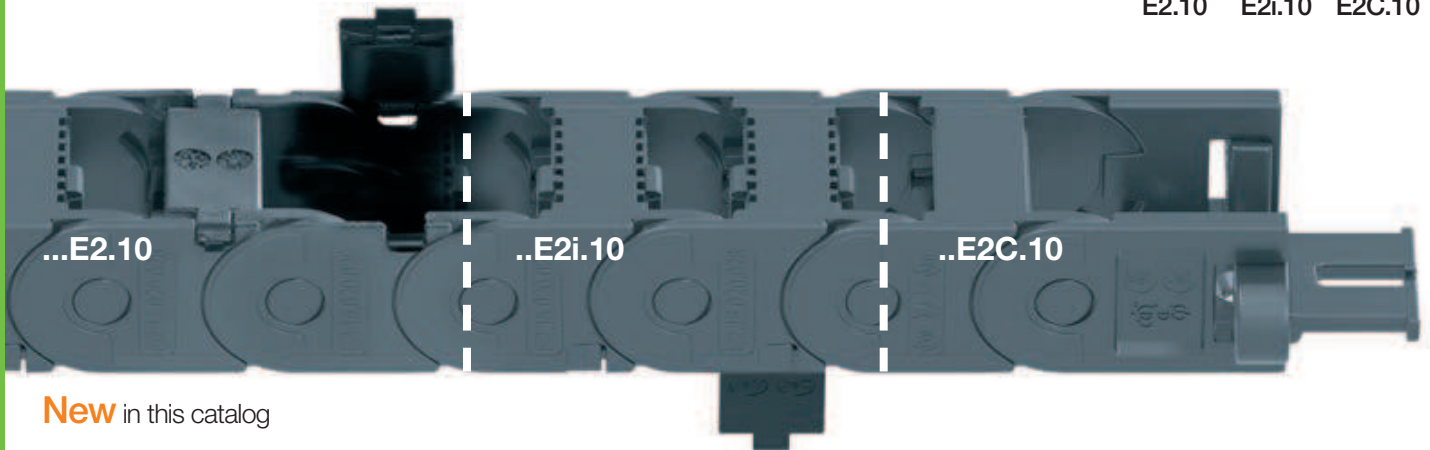




Next generation, stable, low noise, fast opening

E2.10 E2i.10 E2C.10



New in this catalog

Series E2.10 | Snap-open along outer radius from both sides | Standard

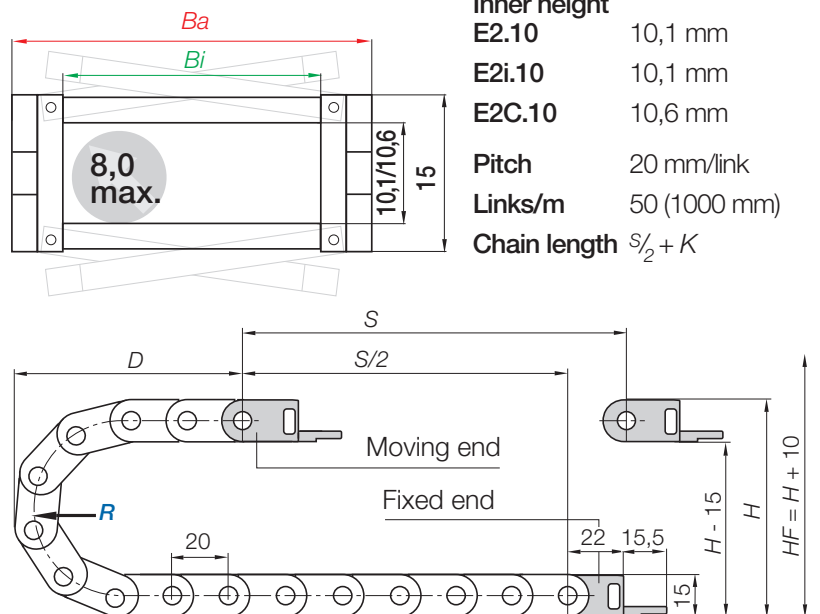
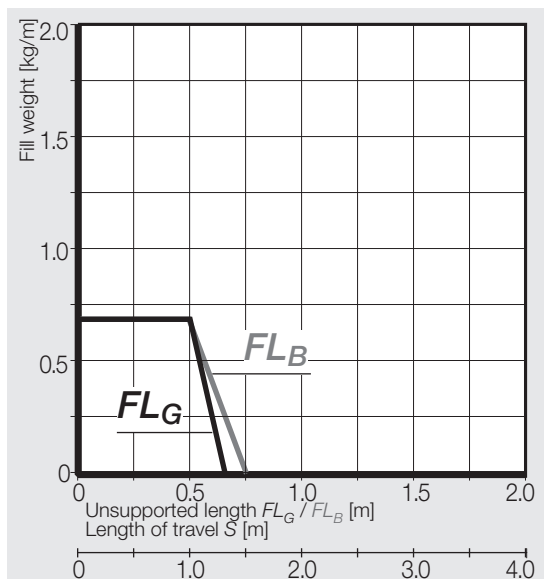
Series E2i.10 | Snap-open along inner radius from both sides

Series E2C.10 | One-piece, non snap-open e-chain®

Snap-open along outer radius	Snap-open along inner radius	One-piece, non snap-open		<i>Bi</i> [mm]	<i>Ba</i> [mm]	<i>R</i> Bending radii [mm]	E2.10 [kg/m]	E2i.10 [kg/m]	E2C.10 [kg/m]
E2.10.	E2i.10.	E2C.10.	06 .R.0	6	13,4	018   028   038	≈ 0,13	≈ 0,13	≈ 0,14
E2.10.	E2i.10.	E2C.10.	10 .R.0	10	17,4	018   028   038	≈ 0,14	≈ 0,14	≈ 0,14
E2.10.	E2i.10.	E2C.10.	16 .R.0	16	23,4	018   028   038	≈ 0,16	≈ 0,16	≈ 0,16
E2.10.	E2i.10.	E2C.10.	20 .R.0	20	27,4	018   028   038	≈ 0,17	≈ 0,17	≈ 0,17
E2.10.	E2i.10.	E2C.10.	30 .R.0	30	37,4	018   028   038	≈ 0,19	≈ 0,19	≈ 0,20
E2.10.	E2i.10.	E2C.10.	40 .R.0	40	47,4	018   028   038	≈ 0,22	≈ 0,22	≈ 0,23
E2.10.	E2i.10.	E2C.10.	50 .R.0	50	57,4	018   028   038	≈ 0,25	≈ 0,25	≈ 0,25

Supplement Part No. with required radius (*R*). Example: E2.10.20.038.0

## Dimensions

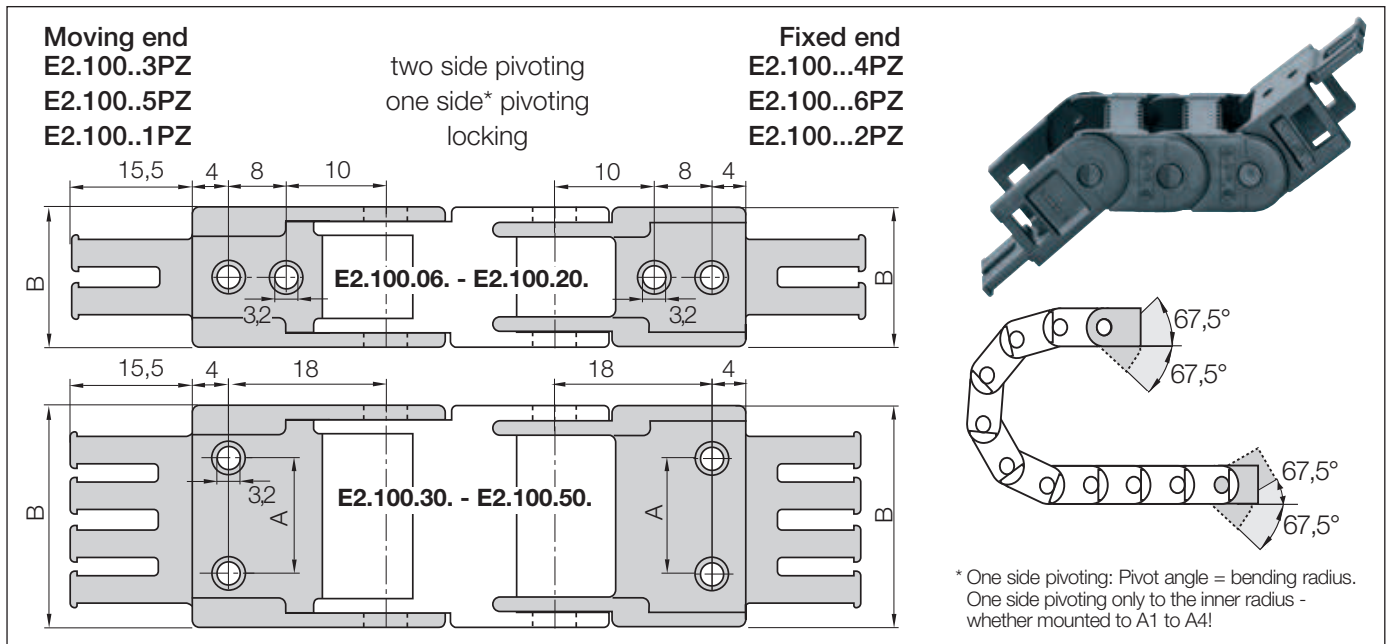


Inner height	
E2.10	10,1 mm
E2i.10	10,1 mm
E2C.10	10,6 mm
Pitch	20 mm/link
Links/m	50 (1000 mm)
Chain length	$\frac{S}{2} + K$

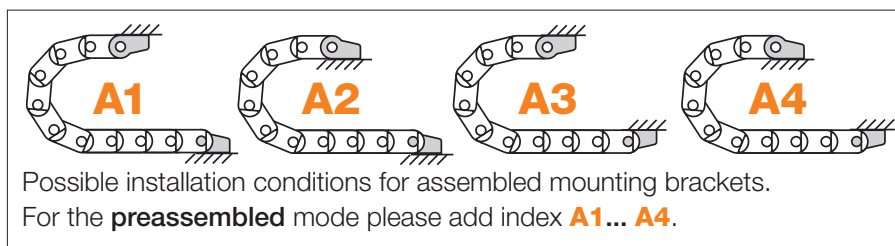
<i>R</i>	018	028	038
<i>H</i>	51	71	91
<i>D</i>	56	66	76
<i>K</i>	100	130	160

The required clearance height:  $H_F = H + 10$  mm (with 0,2 kg/m fill weight)

## Mounting brackets, polymer one-piece | one side\* or two side pivoting | locking



Width Index	Part No. full set with tiewrap plates two side pivoting	Part No. full set with tiewrap plates one side* pivoting	Part No. full set with tiewrap plates locking	Dim. A [mm]	Dim. B [mm]	Number of teeth
06. ▶	E2.100.06.34PZ	E2.100.06.56PZ	E2.100.06.12PZ	-	13,4	1
10. ▶	E2.100.10.34PZ	E2.100.10.56PZ	E2.100.10.12PZ	-	17,4	1
16. ▶	E2.100.16.34PZ	E2.100.16.56PZ	E2.100.16.12PZ	-	23,4	2
20. ▶	E2.100.20.34PZ	E2.100.20.56PZ	E2.100.20.12PZ	-	27,4	2
30. ▶	E2.100.30.34PZ	E2.100.30.56PZ	E2.100.30.12PZ	22	37,4	3
40. ▶	E2.100.40.34PZ	E2.100.40.56PZ	E2.100.40.12PZ	32	47,4	4
50. ▶	E2.100.50.34PZ	E2.100.50.56PZ	E2.100.50.12PZ	42	57,4	5



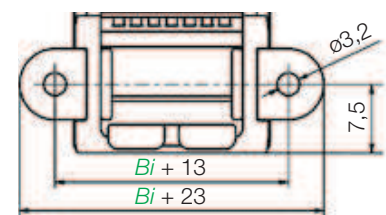
### Part No. structure

**E2.100.20.34PZA1** A... must be indicated on preassembled configurations  
With strain relief tiewrap plates  
**Full set**  
Mounting bracket for selected width index

### Additional Features

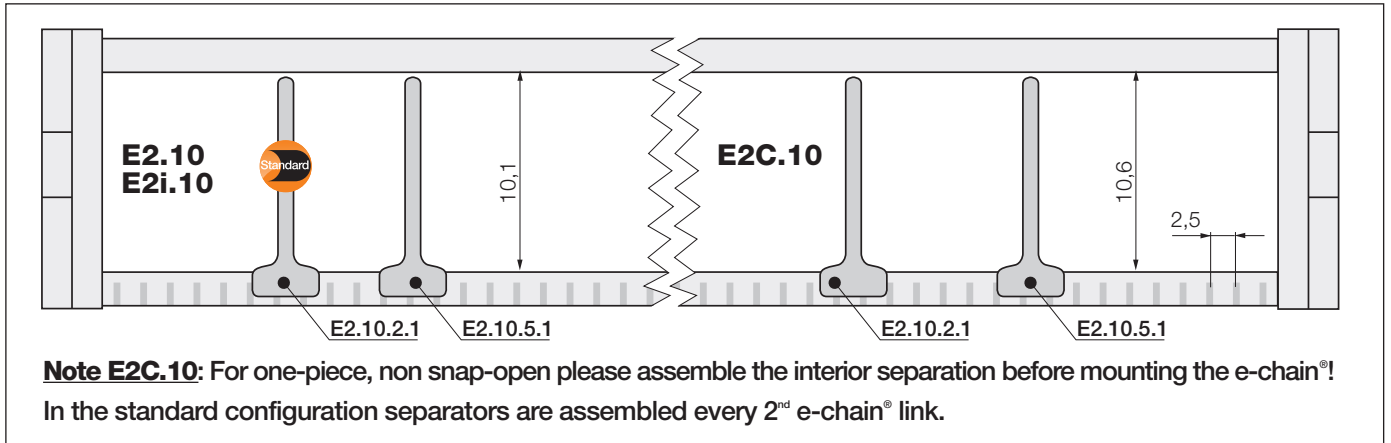



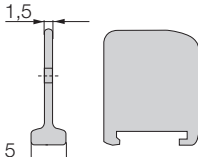

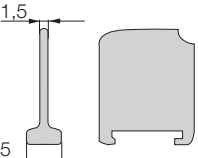
The quick flange can be clipped-in laterally in all mounting brackets.  
Housing for hexagonal nut or cylinder head screws M3. **Single:**  
Part No. E2.150.QF / incl. mounting bracket Part No. E2.100.20.34PZQF



# E2 micro | Series E2.10 | Accessories

## Interior separation | New generation



		<p><b>Standard separator, for e-chains®</b> unassembled <b>E2.10.2</b> assembled <b>E2.10.2.1</b></p>
		<p><b>Notch separator for notch crossbar</b> unassembled <b>E2.10.5</b> assembled <b>E2.10.5.1</b></p>

### Standard - for all applications

For a simple vertical subdivision on e-chains®. Separators can be arranged anywhere in the e-chain® cross section. No snap-in option, freely movable.

### Locks safely onto in 2,5 mm increments

For exact positioning in e-chains®. Recommended for side-mounted applications. Abrasion-optimized, cable-friendly design of the separator.

# E2 micro | Series E2.10 | Accessories

Assembly tools | Save assembly time

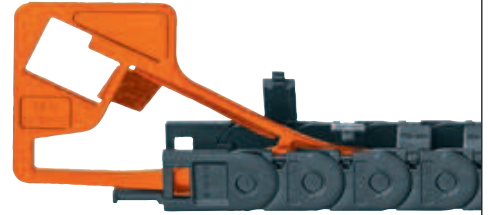
## Save assembly time - Interior separation assembly tool for the E2 micro "next generation"

● Convenient insertion of separators and shelves ● Significant assembly time reduction ● Grip and mount can be ordered separately and are easy to change  
More information ► [www.igus.eu/E2.1open](http://www.igus.eu/E2.1open)

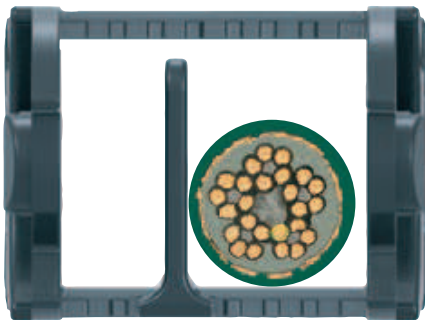


## e-chain® opener for the E2 micro "next generation"

An e-chain® opener is included with every Series E2.10 and E2.15 that can be opened. The opening of the e-chain® links at high speeds saves significant installation time. Open a long piece of e-chain® in one go. It's the ideal tool for your own mounting or assembly lines to minimize processing time significantly.  
More information ► [www.igus.eu/E2.1open](http://www.igus.eu/E2.1open)



## Up to 75% less wear - Increase the service life of cables even further



igus® separators optimally adapted to cable geometry.  
They increase the service life of the cables up to factor 4.

- Abrasion-optimized, cable-friendly design, long service life
- Mounting-optimized - a simpler and faster assembly
- Easy-to-use interior separation range for all applications
- Standard separator - no snap-in option, freely movable
- Notch separator - locks safely onto in 2,5 mm increments
- Partial horizontal subdivision is possible - Series E2.15

## X-ON Electronics

Largest Supplier of Electrical and Electronic Components

*Click to view similar products for [Cable Mounting & Accessories](#) category:*

*Click to view products by [Iigus](#) manufacturer:*

Other Similar products are found below :

[582603-1](#) [009333-000](#) [727844N003](#) [747](#) [809090N001](#) [843188-000](#) [8666](#) [967279N002](#) [DB-11](#) [1300840039](#) [1300900096](#) [1301800416](#)  
[1302264450](#) [1300830184](#) [1300830729](#) [1300900039](#) [1301580036](#) [1301850553](#) [1301860939](#) [1302000074](#) [1302261315](#) [1302264431](#)  
[1337706-2](#) [APA18-AK](#) [1724](#) [1-787307-1](#) [185491N001](#) [1868](#) [HP-6N](#) [C-202-C](#) [202C221-13-0](#) [CA7308-000](#) [8S23-75FR-CS8184](#) [2684](#) [9648](#)  
[3089](#) [988382-000](#) [A72821-000](#) [AA401](#) [173506-000](#) [1823](#) [202C292-13-0](#) [202C302-13-0](#) [2109](#) [300625](#) [3330](#) [3412](#) [356247-1](#) [M9142](#)  
[M9143](#)