

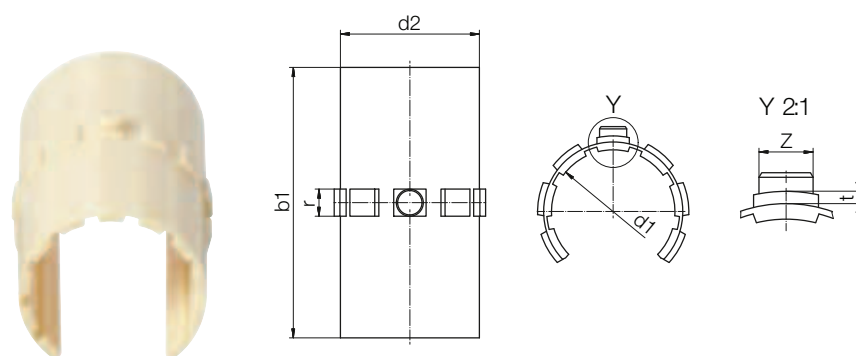
drylin® R liners | Product range

Long, open design for supported shafts –
made from iglidur® J (all-rounder)



Order key

Type	Size
J U M O-01-10	
igidur® J	d1
Liner	
Metric	
Open	
Standard	



The "all-rounder" for all shaft surfaces in the
indoor and outdoor use



⁷⁸⁾ According to igus® testing method ▶ Page 1038

Please note: installation instructions ▶ Page 981



min. -50 °C

max. +90 °C

Dimensions [mm]

d1	d1-Tolerance ⁷⁸⁾	d2	b1	r	t	Z	Weight [g]	Part No.
10	+0.030 +0.070	12	28	3.0	0.8	2.5	0.90	JUMO-01-10
12	+0.030 +0.070	14	31	3.0	0.8	3.0	1.16	JUMO-01-12
16	+0.030 +0.070	18	35	3.5	0.8	3.5	1.71	JUMO-01-16
20	+0.030 +0.070	23	44	5.0	0.8	3.5	4.16	JUMO-01-20
25	+0.030 +0.070	28	57	5.0	0.8	4.0	6.97	JUMO-01-25
30	+0.040 +0.085	34	67	5.0	0.8	4.0	12.38	JUMO-01-30
40	+0.040 +0.085	44	79	6.0	1.3	5.0	20.18	JUMO-01-40
50	+0.050 +0.150	55	99	7.0	1.3	6.0	38.60	JUMO-01-50
60	+0.050 +0.150	65	124	8.0	2.5	6.5	60.10	JUMO-01-60⁷⁹⁾

Housing bore for liner JUMO-01 | dimensions [mm]

Shaft Ø	d1 H7	B h10	W	r +0.5	t +0.05	f +0.1	Z +0.2	Part No.
10	12	29	7.3	3.0	1.0	1.0	2.6	JUMO-01-10
12	14	32	9.0	3.0	1.0	1.5	3.1	JUMO-01-12
16	18	36	11.6	3.5	1.0	1.7	3.6	JUMO-01-16
20	23	45	12.0	5.0	1.0	2.0	3.6	JUMO-01-20
25	28	58	14.5	5.0	1.0	2.0	4.1	JUMO-01-25
30	34	68	16.6	5.0	1.0	2.0	4.1	JUMO-01-30
40	44	80	21.0	6.0	1.5	2.5	5.1	JUMO-01-40
50	55	100	25.5	7.0	1.5	2.5	6.1	JUMO-01-50
60	65	125	27.2	8.0	2.5	3.0	6.5	JUMO-01-60⁷⁹⁾

⁷⁹⁾ in two parts

Can be combined with:



OJUM-01/03

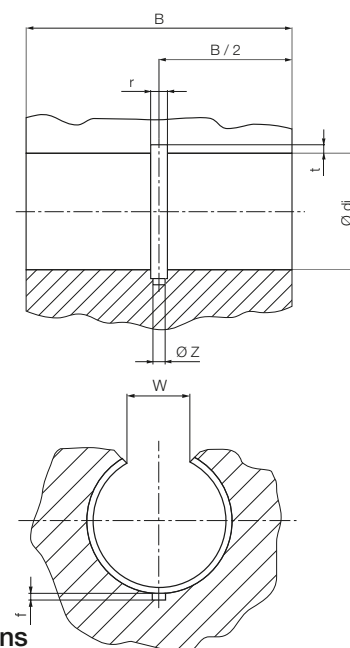


OJUM-06/06-LL



Imperial dimensions

▶ Page 1456



X-ON Electronics

Largest Supplier of Electrical and Electronic Components

Click to view similar products for [Electrical Enclosure Accessories](#) category:

Click to view products by [Igus](#) manufacturer:

Other Similar products are found below :

[60121-06-028 C-325 Black](#) [71884-04-028 CM3-100 Black](#) [71884-18-028 LH43-200 Black](#) [71884-24-028 LH75-200 Black](#) [71885-01-028 CM6-150 Black](#) [72459-02-028 DM-3 BLACK](#) [72459-03-028 DM-4 BLACK](#) [81501-01-000 XPL, 9VB Black](#) [82402-01 PT-8 ALUM](#) [83541307GSKTSC](#) [1335GSKT3](#) [14101FP-PK](#) [BAS-5104](#) [CB-1263-BT](#) [HM BLACK PANEL](#) [61033-01-000](#) [115123-01-508 CN-RL RS](#) [115124-01-508 CN-XRL XRS](#) [115119-01-000 CN-RL RS](#) [115123-01-000 CN-RL RS](#) [60121-04-028 C-275 Black](#) [60128-01-072](#) [60222-01-028 CM6-225 Black](#) [60272-01-028 CM3-150 Black](#) [60851-01-028 CM69-120 Black](#) [62452-01-000 HML-9VB, EB Black](#) [71884-25-028 LH89-130 Black](#) [AXX2POSTBRCKT](#) [FUPMESK](#) [71884-23-028 LH75-130 Black](#) [8G813V40365](#) [8G813V40367](#) [8G813V40389](#) [8G820V40620](#) [DVC.2-40-33-30-M8-23-40](#) [96178](#) [096484E](#) [GN 963-45-45-45-SW](#) [GN 967-20-20-L-2-ZB](#) [1.325.1300.20](#) [52023608](#) [53801090](#) [53801115](#) [AXX2POSTBRCKT 918808](#) [OBOX-385-NBR-M](#) [60242-02-028 CM5-200 Black](#) [DIN 7603-AL-14-18-A](#) [DIN 7603-AL-16-20-A](#) [DIN 7603-AL-20-24-A](#) [DIN 7603-AL-24-29-A](#)