

Rod ends with male thread: KARM and KALM



Standard design



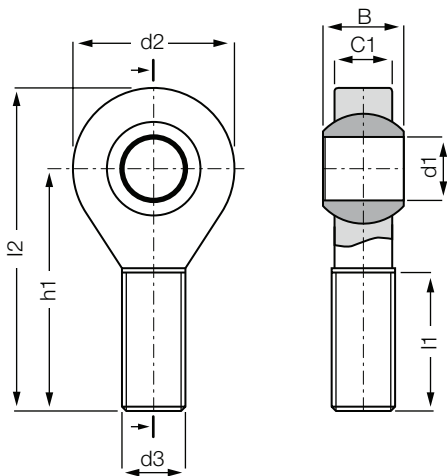
Design with
metal sleeve (MH)

- Maintenance-free, self-lubricating
- High strength under impact loads
- Very high tensile strength for varying loads
- Compensation of misalignment
- Compensation of edge loads
- Insensitive to dirt, dust and lint
- Corrosion- and chemical-resistant
- High vibration dampening capacity
- Suitable for rotating, oscillating, and linear movements
- Light weight
- Dimensional series K according to standard
DIN ISO 12240
- Available with metal sleeve for higher torque

Technical Data

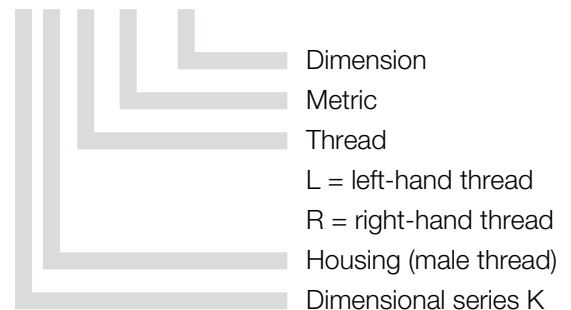
Part number		Max. static tensile strength		Max. static radial load		Min. thread depth	Max. torque strength	Max. torque through ball		Weight
Right-hand thread	Left-hand thread	Short term [N]	Long term [N]	Short term [N]	Long term [N]	Thread [mm]	Outer threading [Nm]	without MH [Nm]	with MH [Nm]	[g]
KARM-05	KALM-05	800	400	80	40	13	0.4	5	12	2.7
KARM-06	KALM-06	1,000	500	100	50	15	0.5	10	15	3.9
KARM-08	KALM-08	1,700	850	200	100	18	2.0	12	40	7.1
KARM-10	KALM-10	2,500	1,250	300	150	20	5.0	20	50	12.5
KARM-10 F	KALM-10 F	2,500	1,250	300	150	20	3.0	20	50	12.5
KARM-12	KALM-12	2,700	1,350	400	200	22	6.0	30	70	18
KARM-12 F	KALM-12 F	2,700	1,350	400	200	22	6.0	30	70	18
KARM-14	KALM-14	3,400	1,700	700	350	25	12.0	35	75	25
KARM-16	KALM-16	3,900	1,950	800	400	26	17.0	40	110	34
KARM-16 F	KALM-16 F	3,900	1,950	800	400	26	17.0	40	110	34
KARM-18	KALM-18	4,200	2,100	1,000	500	29	20.0	45	150	45.9
KARM-20	KALM-20	6,000	3,000	1,300	650	32	25.0	55	200	58
KARM-20 M20	KALM-20 M20	6,000	3,000	1,300	650	32	25.0	55	200	58
KARM-22	KALM-22	7,200	3,600	1,500	750	34	25.0	60	–	86.2
KARM-25	KALM-25	7,500	3,750	1,900	950	39	45.0	65	–	99.1
KARM-30	KALM-30	8,800	4,400	2,300	1,150	46	85.0	70	–	160.4

Rod ends with male thread: KARM and KALM



Order key

KA...M-05



Material:

Housing: **igumid G** ► page 1267

Spherical ball: **iglidur® W300** ► page 819

Dimensions [mm]

Part number		d1	d2	d3	C1	B		h1	l1	l2	Max. pivot angle
Right-hand thread	Left-hand thread	E10				without MH	with MH				
						± 0.2					
KARM-05	KALM-05	05	18	M05	6.0	8	8.1	33	19	42	30°
KARM-06	KALM-06	06	20	M06	7.0	9	9.2	36	21	46	29°
KARM-08	KALM-08	08	24	M08	9.0	12	12.2	42	25	55	25°
KARM-10	KALM-10	10	30	M10	10.5	14	14.2	48	28	63	25°
KARM-10 F	KALM-10 F	10	30	M10 x 1.25	10.5	14	14.2	48	28	63	25°
KARM-12	KALM-12	12	34	M12	12.0	16	16.2	54	32	71	25°
KARM-12 F	KALM-12 F	12	34	M12 x 1.25	12.0	16	16.2	54	32	71	25°
KARM-14	KALM-14	14	38	M14	13.5	19	19.2	61	36	79	25°
KARM-16	KALM-16	16	42	M16	15.0	21	21.2	66	37	88	23°
KARM-16 F	KALM-16 F	16	42	M16 x 1.5	15.0	21	21.2	66	37	88	23°
KARM-18	KALM-18	18	46	M18 x 1.5	16.5	23	23.2	72	41	96	23°
KARM-20	KALM-20	20	50	M20 x 1.5	18.0	25	25.3	78	45	104	23°
KARM-20 M20	KALM-20 M20	20	50	M20 x 2.5	18.0	25	25.3	78	45	104	23°
KARM-22	KALM-22	22	56	M22 x 1.5	20.0	28	–	84	48	112	22°
KARM-25	KALM-25	25	61	M24 x 2.0	22.0	31	–	95	55	126	22°
KARM-30	KALM-30	30	71	M30 x 2.0	25.0	37	–	112	66	147	22°

For rod ends with **metal insert** please add **MH** to the part number. Example: KARM-10 **MH** (Inner-Ø: 10 mm).



delivery from stock
time



prices price list online
www.igus.eu/eu/karm

X-ON Electronics

Largest Supplier of Electrical and Electronic Components

Click to view similar products for [Mounting Fixings](#) category:

Click to view products by [Igus](#) manufacturer:

Other Similar products are found below :

[5912235-1 REV](#) - [71-215091-8S](#) [75-69211-3P](#) [75-69214-6P](#) [75-69220-27S](#) [7717-8DAP](#) [85048GBESR](#) [PMS27488-001-01](#) [1-18023-0](#) [H-118-2](#) [1301790551](#) [BR16A](#) [NT20SATT01](#) [22594-8](#) [89078GBEPR](#) [89078GBESR](#) [9150700000](#) [SF4011-60101](#) [1671](#) [1855-54](#) [1996901-1](#) [2079844-1](#) [2193](#) [2518](#) [H-118-1](#) [BACC47CN2S](#) [LF9Z-1SB22](#) [WMLX-109](#) [364202K01V167](#) [ELXA051G1](#) [2547](#) [1453315-11](#) [71-452350-8S](#) [71-572965-8S](#) [75-69214-7J](#) [75-69811-3S](#) [H373247-15](#) [81517301](#) [P954-1](#) [860099-1](#) [1189-90](#) [1106352-2](#) [5D0515-20S REV A](#) [M39014/01-1570](#) [30809-700](#) [6024](#) [734032001](#) [197-007](#) [BRKT-ND](#) [197-003](#)