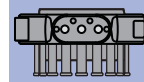


# triflex® R | Series TRC | Delivery program

Robotic applications, closed, chip-resistant



TRC

► 596



...TRC  
Closed design

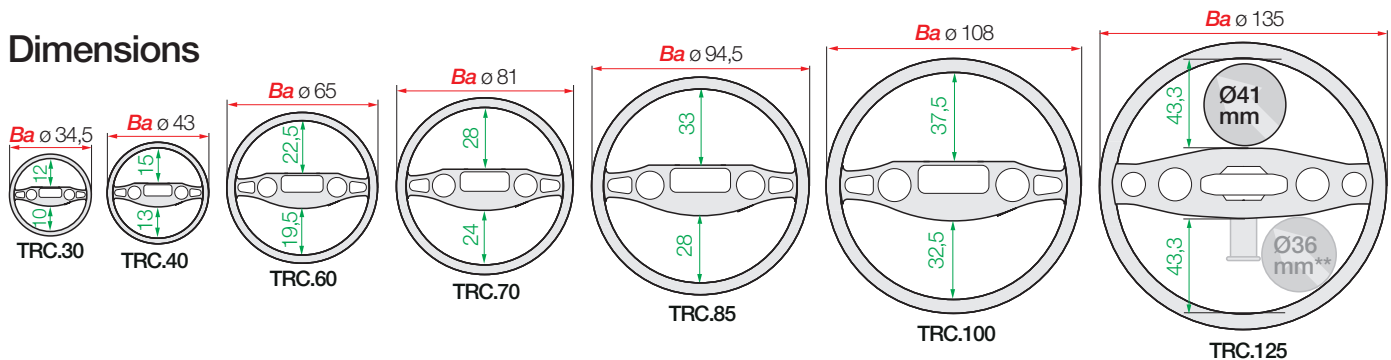
## triflex® R | Series TRC | Closed design, dirt-resistant

Series TRC "closed"	Bi 1 [mm]	Bi 2 [mm]	Ba [mm]	R [mm]	d1 [mm]	d2 [mm]	Pitch [mm]	Links/m	Weight [kg/m]
TRC.30. 050.0	12	10	34,5	050	10	8	11,3	89	≈ 0,27
TRC.40. 058.0 <sup>3)</sup>	15	13	43	058	13	11	13,9	72	≈ 0,37
TRC.60. 087.0 <sup>3)</sup>	22,5	19,5	65	087	20,5	17,5	20,4	49	≈ 0,85
TRC.70. 110.0 <sup>3)</sup>	28	24	81	110	26	22	25,6	39	≈ 1,32
TRC.85. 135.0	33	28	94,5	135	31	26	30,6	33	≈ 1,75
TRC.100.145.0	37,5	32,5	108	145	35,5	30,5	34,5	29	≈ 2,38
TRC.125.182.0	43,3	43,3	135	182	41	41 <sup>2)</sup>	44,6	23	≈ 4,70

2) Max. cable diameter Ø 41 mm. Max. cable diameter changes to Ø 36 mm only, if shortening/lengthening of a filled triflex® R is required

3) Available as ESD-Version from stock

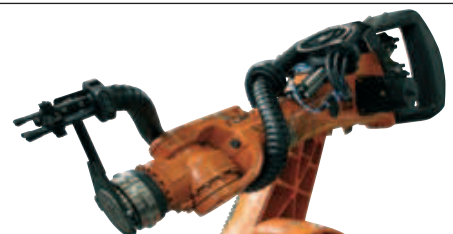
### Dimensions



ESD/ATEX<sup>3)</sup> - permanently conductive e-chains<sup>®</sup> for several widths.  
Full ESD delivery program ► [www.igus.eu/ESD](http://www.igus.eu/ESD)

### All triflex® R accessories like:

- Swivel bearings for smooth motion
  - Protectors
  - Gliding feed-throughs
  - Strain relief systems: Quick exchange kit, Pivot bracket, triflex® R connection
  - TRE.LOCK clips
  - Back pull systems: RS triflex® R-Set the universal module and RSP the intelligent retraction system
  - Fiber rod module & Installation kit
  - Protective jackets.
- More information ► from page 596



## X-ON Electronics

Largest Supplier of Electrical and Electronic Components

*Click to view similar products for [Iigus manufacturer](#):*

Other Similar products are found below :

[GTM-1220-005](#) [E2.10.10.038.0](#) [E2.10.20.018.0](#) [E2.10.30.018.0](#) [E4.32.07.150.0](#) [E4.32.10.075.0](#) [E4.321.10.2.12](#) [158.050.100.0](#) [BB-626-](#)  
[B180-10-ES](#) [168.075.125.0](#) [J260-PF-0175-0250](#) [1680.075.12](#) [I170-PF-0175-0250](#) [E2.100.20.34PZ](#) [E2.10.20.028.0](#) [E4.32.10.100.0](#) [EALM-10](#)  
[XSM-0608-08](#) [WSM-0608-08](#) [158.100.175.0](#) [168.050.100.0](#) [168.150.200.0](#) [2000.32](#) [3480.150.150.0](#) [3000.12](#) [3100.34PZB](#) [E14.2.100.0](#)  
[E14.3.048.0](#) [I180-PF-0175-0750](#) [WS-10-40-1250](#) [WS-10-40-500](#) [WS-16-1000](#) [WS-16-60-1000](#) [WS-20-80-1000](#) [A500FM-2528-16](#) [BB-](#)  
[6006-B180-30-ES](#) [EBLM-20](#) [EGLM-12](#) [KARM-16](#) [KSTM-GT-40](#) [MFM-0408-04](#) [TRE.100.145.0.B](#) [WS-16-60-1250](#) [WS-16-60-500](#) [WW-](#)  
[16-60-10](#) [WW-20-80-15](#) [XSM-0810-12](#) [06.16.018.0](#) [06.16.038.0](#) [06.20.018.0](#)