

Stainless steel version available

► Page 899

### Technical data and dimensions [mm]

Part No.	Floating bearing clearance	Weight [g]	B	C1	C3	A3	K2	K3	Static load capacity		
									Coy [N]	Coz+ [N]	Coz- [N]
WJ200UM-01-10	-	41	26	29	16	6.5	M6	M5	1,200	1,200	250
WJ200UM-01-10-LL	±0.2	41	26	29	16	6.5	M6	M5	1,200	1,200	250
WJ200UM-01-10-AL	-	20	26	29	16	6.5	M6	M5	1,200	1,200	250
WJ200UM-01-16	-	100	34.5	36	18	9	M8	M6	2,100	2,100	400
WJ200UM-01-16-LL	±0.2	100	34.5	36	18	9	M8	M6	2,100	2,100	400
WJ200UM-01-16-AL	-	48	34.5	36	18	9	M8	M6	2,100	2,100	400
WJ200UM-01-20	-	190	42.5	45	27	9	M8	M6	3,200	3,200	500
WJ200UM-01-20-LL	±0.25	190	42.5	45	27	9	M8	M6	3,200	3,200	500
WJ200UM-01-20-AL	-	99	42.5	45	27	9	M8	M6	3,200	3,200	500
WJ200UM-01-25	-	425	52.5	58	36	11	M10	M8	4,800	4,800	950
WJ200UM-01-25-LL	±0.25	425	52.5	58	36	11	M10	M8	4,800	4,800	950
WJ200UM-01-25-AL	-	250	52.5	58	36	11	M10	M8	4,800	4,800	950



Order example:

WJ200UM-01-10: Housing bearing, round

WJ200UM-01-10-LL: Housing bearing, round, floating bearing

WJ200UM-01-10-AL: Housing bearing, round, made from aluminium



Order key – single rail

Type	Length
------	--------

### WS-10-4000

Guide rail
Shafts Ø
Rail length [mm]



Order key – housing bearing

Type	Size	Options
------	------	---------

### WJ200UM-01-10-LL

drylin® W
iglidur® bearing material
Housing bearing, round
Standard
Size
Floating bearing

Options:

LL: Floating bearing

AL: Housing bearing made from aluminium



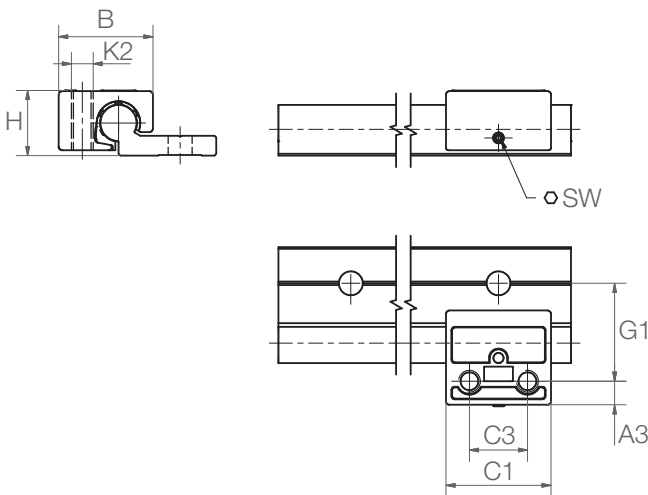
Order key



Type	Size	Option
------	------	--------

**WJ200UM-01-16-P40**

drylin® W	Liner iglidur® J200	Housing bearing, round	Standard	Size	Preload
-----------	------------------------	------------------------	----------	------	---------



### Technical data and dimensions [mm]

Part No.	Weight	Camber	Dimensions as Part No.
	[g]	[N]	
WJUM-01-10-P40	43	4.0	WJUME-01-10
WJUM-01-10-P90	43	9.0	WJUME-01-10
WJUM-01-10-P140	43	14.0	WJUME-01-10
WJ200UM-01-16-P40	110	4.0	WJ200UME-01-16
WJ200UM-01-16-P90	110	9.0	WJ200UME-01-16
WJ200UM-01-16-P140	110	14.0	WJ200UME-01-16
WJ200UM-01-16-P230	110	23.0	WJ200UME-01-16
WJ200UM-01-20-P40	222	4.0	WJ200UME-01-20
WJ200UM-01-20-P90	222	9.0	WJ200UME-01-20
WJ200UM-01-20-P140	222	14.0	WJ200UME-01-20
WJ200UM-01-16-P230	222	23.0	WJ200UME-01-20

Can be combined with:



Suitable liner materials:



## X-ON Electronics

Largest Supplier of Electrical and Electronic Components

*Click to view similar products for [Electrical Enclosure Accessories](#) category:*

*Click to view products by [Igus](#) manufacturer:*

Other Similar products are found below :

[60121-06-028 C-325 Black](#) [71884-04-028 CM3-100 Black](#) [71884-18-028 LH43-200 Black](#) [71884-24-028 LH75-200 Black](#) [71885-01-028 CM6-150 Black](#) [72459-02-028 DM-3 BLACK](#) [72459-03-028 DM-4 BLACK](#) [81501-01-000 XPL, 9VB Black](#) [82402-01 PT-8 ALUM](#) [83541307GSKTSC](#) [1335GSKT3](#) [14101FP-PK](#) [BAS-5104](#) [CB-1263-BT](#) [HM BLACK PANEL](#) [61033-01-000](#) [115123-01-508 CN-RL RS](#) [115124-01-508 CN-XRL XRS](#) [115119-01-000 CN-RL RS](#) [115123-01-000 CN-RL RS](#) [60121-04-028 C-275 Black](#) [60128-01-072](#) [60222-01-028 CM6-225 Black](#) [60272-01-028 CM3-150 Black](#) [60851-01-028 CM69-120 Black](#) [62452-01-000 HML-9VB, EB Black](#) [71884-25-028 LH89-130 Black](#) [AXX2POSTBRCKT](#) [FUPMESK](#) [71884-23-028 LH75-130 Black](#) [8G813V40365](#) [8G813V40367](#) [8G813V40389](#) [8G820V40620](#) [DVC.2-40-33-30-M8-23-40](#) [96178](#) [096484E](#) [GN 963-45-45-45-SW](#) [GN 967-20-20-L-2-ZB](#) [1.325.1300.20](#) [52023608](#) [53801090](#) [53801115](#) [AXX2POSTBRCKT 918808](#) [OBOX-385-NBR-M](#) [60242-02-028 CM5-200 Black](#) [DIN 7603-AL-14-18-A](#) [DIN 7603-AL-16-20-A](#) [DIN 7603-AL-20-24-A](#) [DIN 7603-AL-24-29-A](#)