

DC-TO-DC CONVERTER CONTROL CIRCUITS

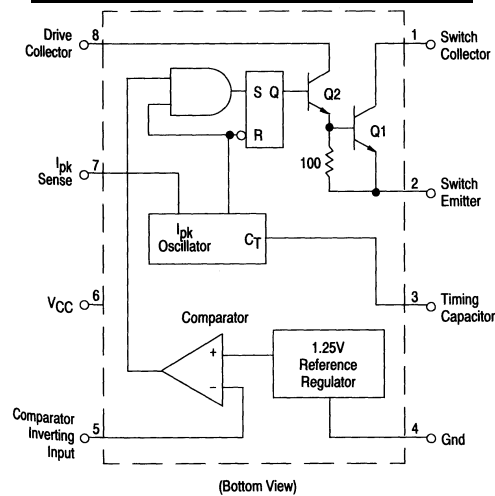
IL34063A

The IL34063A is a monolithic control circuit containing the primary functions required for DC-to-DC converters. These devices consist of an internal temperature compensated reference, comparator, controlled duty cycle oscillator with an active current limit circuit, driver and high current output switch. This series was specifically designed to be incorporated in Step-Down and Step-Up and Voltage-Inverting applications with a minimum number of external components.

FEATURES

- Operation from 3.0 V to 40 V Input
- Low Standby Current
- Current Limiting
- Output Switch Current to 1.5 A
- Output Voltage Adjustable
- Frequency Operation to 100 kHz
- Precision 2% Reference

FUNCTIONAL BLOCK DIAGRAM



MAXIMUM RATINGS

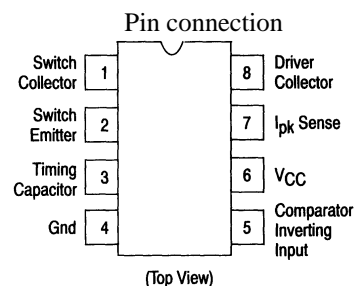
Rating	Symbol	Value	Unit
Power Supply Voltage	V <sub>CC</sub>	40	Vdc
Comparator Input Voltage Range	V <sub>IR</sub>	-0.3 to +40	Vdc
Switch Collector Voltage	V <sub>C(switch)</sub>	40	Vdc
Switch Emitter Voltage (V <sub>pin 1</sub> = 40 V)	V <sub>E(switch)</sub>	40	Vdc
Switch Collector to Emitter Voltage	V <sub>CE(switch)</sub>	40	Vdc
Driver Collector Voltage	I <sub>C(driver)</sub>	40	Vdc
Driver Collector Current (Note 1)	I <sub>C(driver)</sub>	100	mA
Switch Current	I <sub>SW</sub>	1.5	A
Power Dissipation and Thermal Characteristics			
DIP Package, N Suffix T <sub>A</sub> = +25°C	P <sub>D</sub>	1.25	W
Thermal Resistance	R <sub>θJA</sub>	100	°C/W
SOP Package, D Suffix T <sub>A</sub> = +25°C	P <sub>D</sub>	625	mW
Thermal Resistance	R <sub>θJA</sub>	160	°C/W
Operating Junction Temperature	T <sub>J</sub>	+150	°C
Operating Ambient Temperature Range	T <sub>A</sub>	0 to +70	°C
Storage Temperature Range	T <sub>stg</sub>	-65to+150	°C

\* Stresses beyond those listed under "absolute maximum ratings" may cause permanent damage to the device. These are stress ratings only and functional operation of the device at these or any other conditions beyond those indicated under "recommended operating conditions" is not implied. Exposure to absolute-maximum-rated conditions for extended periods may affect device reliability.

深圳市奥伟斯科技有限公司 联系人:蔡先生 13751188660 QQ: 2853528254  
 www.oweis-tech.com E-mail:leven@oweis-tech.com

ORDERING INFORMATION

Device	Package	Packing
IL34063AD	SOP-8	Tube
IL34063ADT	SOP-8	Tape & Reel
IL34063AN	DIP-8	Tube



**ELECTRICAL CHARACTERISTICS**

( $V_{CC} = 5.0\text{ V}$ ,  $T_A = 0$  to  $+70^\circ\text{C}$  unless otherwise specified.)

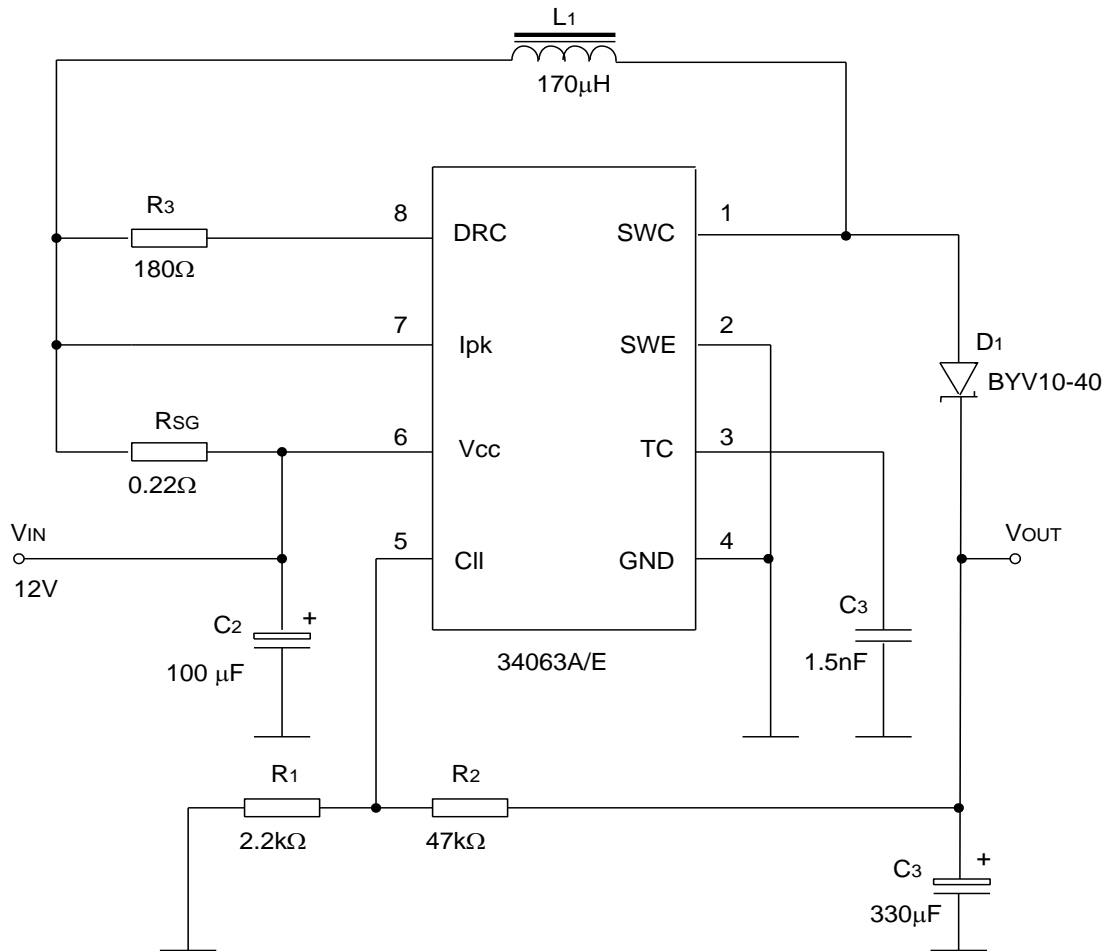
Characteristics	Symbol	Min	Typ	Max	Unit
<b>OSCILLATOR</b>					
Frequency ( $V_{Pin5} = 0\text{ V}$ , $C_T = 1.0\text{ nF}$ , $T_A = 25^\circ\text{C}$ )	fosc	24	33	42	kHz
Charge Current ( $V_{CC} = 5.0\text{ V}$ to $40\text{ V}$ , $T_A = 25^\circ\text{C}$ )	Ichg	24	33	42	$\mu\text{A}$
Discharge Current ( $V_{CC} = 5.0\text{ V}$ to $40\text{ V}$ , $T_A = 25^\circ\text{C}$ )	Idischg	140	200	260	$\mu\text{A}$
Discharge to Charge Current Ratio (Pin7 to Vcc, $T_A = 25^\circ\text{C}$ )	Idischg/Ichg	5.2	6.2	7.5	—
Current Limit Sense Voltage (Ichg = Idischg, $T_A = 25^\circ\text{C}$ )	Vipk(sense)	250	300	350	mV
<b>OUTPUT SWITCH (Note 3)</b>					
Saturation Voltage, Darlington Connection ( $I_{SW} = 1.0\text{ A}$ , Pins 1, 8 connected)	$V_{CE(sat)}$	—	1.0	1.3	V
Saturation Voltage ( $I_{SW} = 1.0\text{ A}$ , $R_{Pin8} = 82\ \Omega$ to $V_{CC}$ . Forced $\beta = 20$ )	$V_{CE(sat)}$	—	0.45	0.7	V
DC Current Gain ( $I_{SW} = 1.0\text{ A}$ , $V_{CE} = 5.0\text{ V}$ , $T_A = 25^\circ\text{C}$ )	$h_{FE}$	50	120	—	—
Collector Off-State Current ( $V_{CE} = 40\text{ V}$ )	$I_{C(off)}$	—	0.01	100	$\mu\text{A}$
<b>COMPARATOR</b>					
Threshold Voltage ( $T_A = 25^\circ\text{C}$ ) ( $T_A = T_{LOW}$ to $T_{HIGH}$ )	Vth	1.225 1.21	1.25 —	1.275 1.29	V
<b>Threshold Voltage (<math>T_A = 25^\circ\text{C}</math>)**</b>	<b>Vth</b>	<b>1.2375</b>	<b>1.25</b>	<b>1.2625</b>	<b>V</b>
Threshold Voltage Line Regulation ( $V_{CC} = 3.0\text{ V}$ to $40\text{ V}$ )	Regline	—	1.4	5.0	mV
Input Bias Current ( $V_{in}=0\text{ V}$ )	$I_{IB}$	—	-40	-400	nA
<b>TOTAL DEVICE</b>					
Supply Current ( $V_{CC} = 5.0\text{ V}$ to $40\text{ V}$ , $C_T = 1.0\text{ nF}$ , $V_{pin7} = V_{CC}$ . $V_{Pin5} > V_{th}$ , Pin 2 = Gnd, Remaining pins open)	$I_{CC}$	—	2.5	4.0	mA

NOTES:

- Maximum package power dissipation limits must be observed.
- Low duty cycle pulse techniques are used during test to maintain Junction temperature as close to ambient temperature as possible
- If the output switch is driven into hard saturation (non Darlington configuration) at low switch currents (< 300 mA) and high driver currents (>30 mA), it may take up to 2.0  $\mu\text{s}$  to come out of saturation This condition will shorten the off time at frequencies > 30 kHz, and is magnified at high temperatures This condition does not occur with a Darlington configuration, since the output switch cannot saturate If a non Darlington configuration is used, the following output drive condition is recommended  
Forced  $\beta$  of output switch =  $I_C$ , output/( $I_C$ , driver -7.0 mA\*) > 10  
\*The 100  $\Omega$ . resistor in the emitter of the driver device requires about 7.0 mA before the output switch conducts  
\*\*Possible version for shipment

**TYPICAL APPLICATION CIRCUITS**

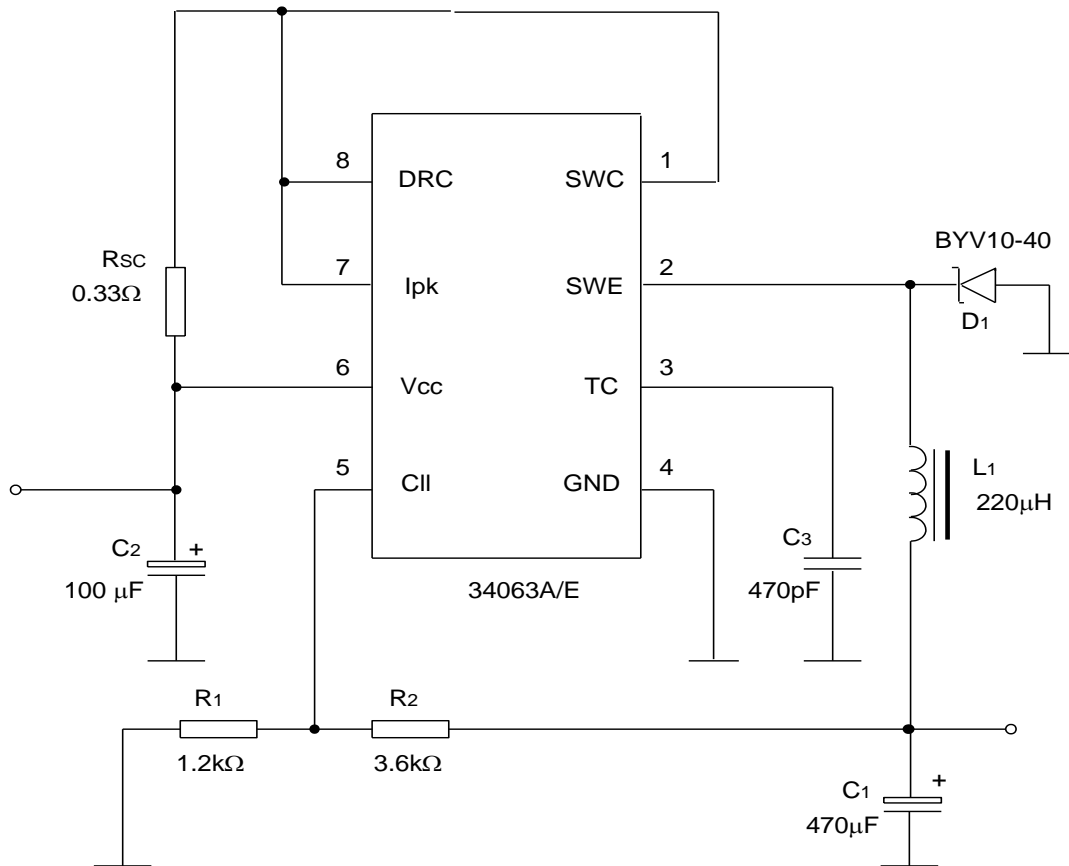
Step-Up Converter



Test Condition ( $V_{OUT} = 28\text{ V}$ )

Test	Conditions	Value (Typ)	Unit
Line Regulation	$V_{IN} = 8\text{ to }16\text{ V}$ , $I_O = 175\text{ mA}$	30	mV
Load Regulation	$V_{IN} = 12\text{ V}$ , $I_O = 75\text{ to }175\text{ mA}$	10	mV
Output Ripple	$V_{IN} = 12\text{ V}$ , $I_O = 175\text{ mA}$	300	mV
Efficiency	$V_{IN} = 12\text{ V}$ , $I_O = 175\text{ mA}$	89	%

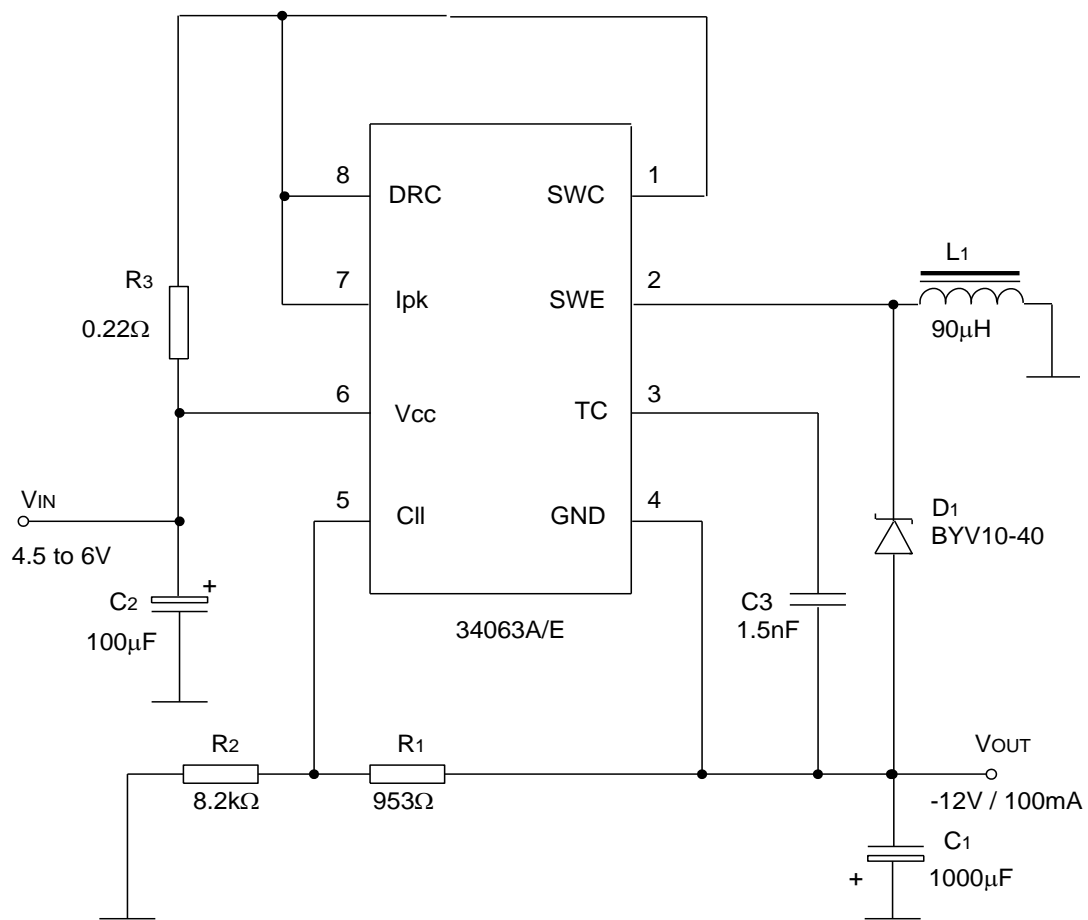
Step-Down Converter



Test Condition ( $V_{OUT} = 5\text{ V}$ )

Test	Conditions	Value (Typ)	Unit
Line Regulation	$V_{IN} = 15\text{ to }25\text{ V}, I_O = 500\text{ mA}$	5	mV
Load Regulation	$V_{IN} = 25\text{ V}, I_O = 50\text{ to }500\text{ mA}$	30	mV
Output Ripple	$V_{IN} = 25\text{ V}, I_O = 500\text{ mA}$	100	mV
Efficiency	$V_{IN} = 25\text{ V}, I_O = 500\text{ mA}$	80	%
ISC	$V_{IN} = 25\text{ V}, R_{LOAD} = 0.1\ \Omega$	1.2	A

Voltage Inverting Converter



Test Condition ( $V_{OUT} = -12\text{ V}$ )

Test	Conditions	Value (Typ)	Unit
Line Regulation	$V_{IN} = 4.5\text{ to }6\text{ V}, I_O = 100\text{ mA}$	15	mV
Load Regulation	$V_{IN} = 5\text{ V}, I_O = 10\text{ to }100\text{ mA}$	20	mV
Output Ripple	$V_{IN} = 5\text{ V}, I_O = 100\text{ mA}$	230	mV
Efficiency	$V_{IN} = 5\text{ V}, I_O = 100\text{ mA}$	58	%
ISC	$V_{IN} = 5\text{ V}, R_{LOAD} = 0.1\ \Omega$	0.9	A

Calculation

Parameter	Step-Up (Discontinuous mode)	Step-Down (Continuous mode)	Voltage Inverting (Discontinuous mode)
$t_{on}/t_{off}$	$\frac{V_{out} + V_F - V_{in(min)}}{V_{in(min)} - V_{sat}}$	$\frac{V_{out} + V_F}{V_{in(min)} - V_{sat} - V_{out}}$	$\frac{ V_{out}  + V_F}{V_{in} - V_{sat}}$
$(t_{on} + t_{off})_{max}$	$1/f_{min}$	$1/f_{min}$	$1/f_{min}$
$C_T$	$4.5 \times 10^{-5} t_{on}$	$4.5 \times 10^{-5} t_{on}$	$4.5 \times 10^{-5} t_{on}$
$I_{PK(switch)}$	$2I_{out(max)}[(t_{on}/t_{off})+1]$	$2I_{out(max)}$	$2I_{out(max)}[(t_{on}/t_{off})+1]$
$R_{SC}$	$0.3/I_{PK(switch)}$	$0.3/I_{PK(switch)}$	$0.3/I_{PK(switch)}$
$C_O$	$\equiv \frac{I_{out} t_{on}}{V_{ripple(p-p)}}$	$\frac{I_{PK(switch)} (t_{on} + t_{off})}{8V_{ripple(p-p)}}$	$\equiv \frac{I_{out} t_{on}}{V_{ripple(p-p)}}$
$L(min)$	$\frac{V_{in(min)} - V_{sat}}{I_{PK(switch)}} t_{on(max)}$	$\frac{V_{in(min)} - V_{sat} - V_{out}}{I_{PK(switch)}} t_{on(max)}$	$\frac{V_{in(min)} - V_{sat}}{I_{PK(switch)}} t_{on(max)}$

NOTES:

$V_{sat}$  = Saturation voltage of the output switch

$V_F$  = Forward voltage drop of the output rectifier

THE FOLLOWING POWER SUPPLY CHARACTERISTICS MUST BE CHOSEN:

$V_{in}$  = Nominal input voltage

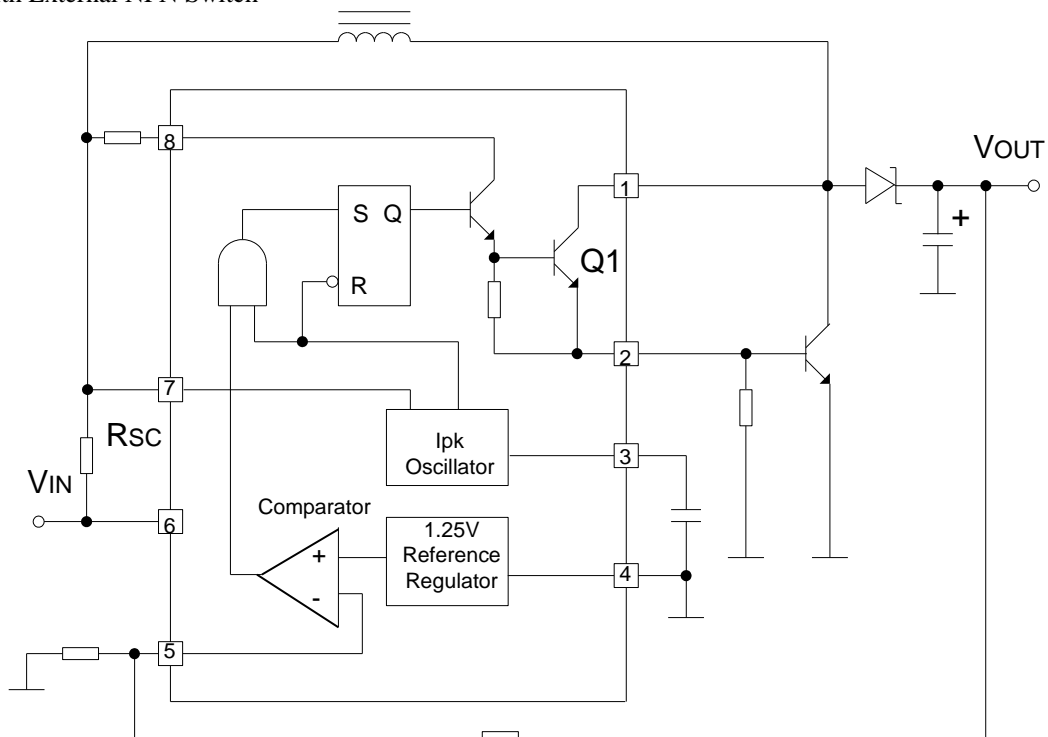
$V_{out}$  = Desired output voltage,  $|V_{out}| = 1.25(1+R_2/R_1)$

$I_{out}$  = Desired output current

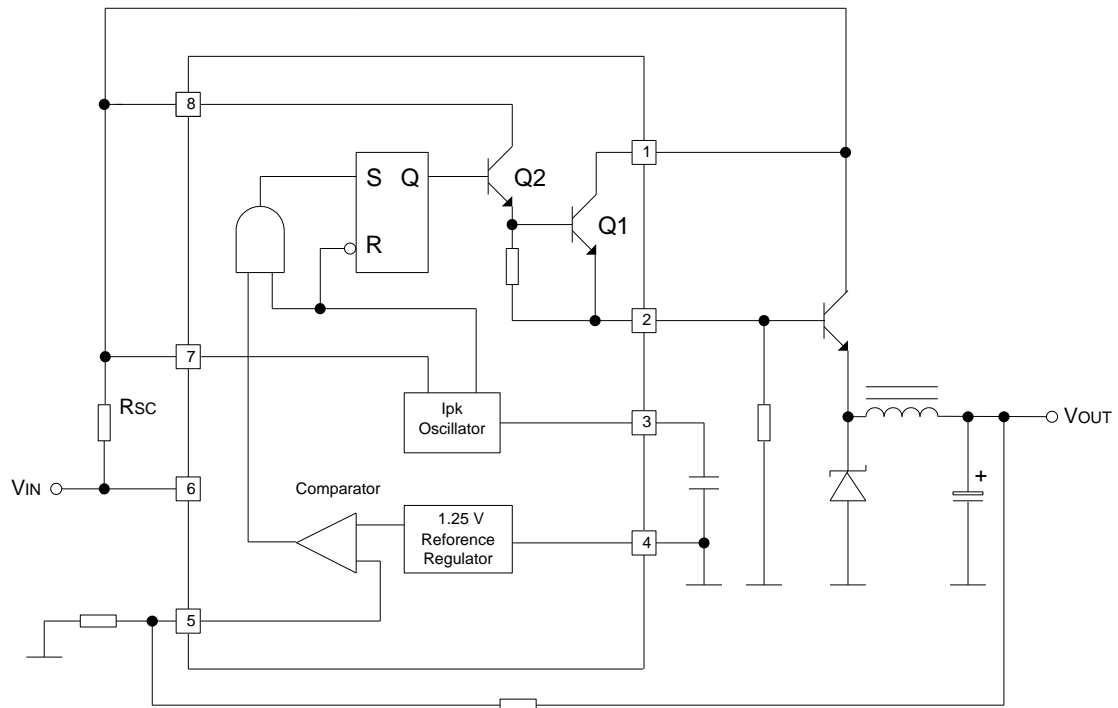
$f_{min}$  = Minimum desired output switching frequency at the selected values of  $V_{in}$  and  $I_{out}$

$V_{ripple}$  = Desired peak to peak output ripple voltage. In practice, the calculated capacitor value will and to be increased due to its equivalent series resistance and board layout. The ripple voltage should be kept to a low value since it will directly affect the line and load regulation.

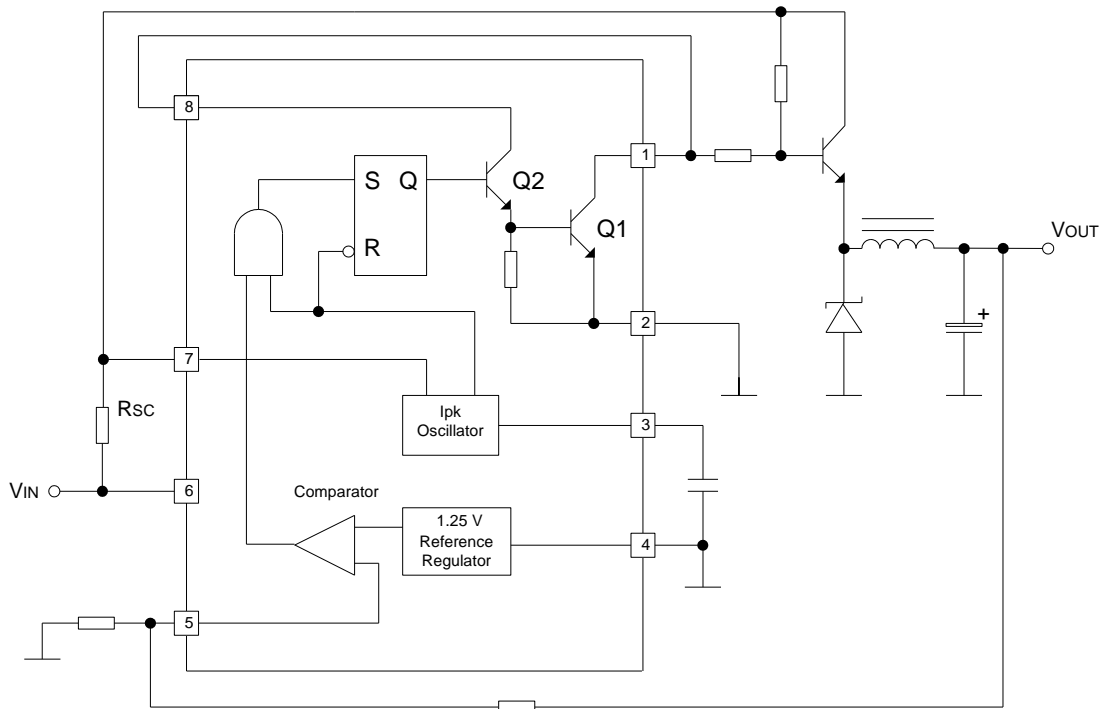
Step-up With External NPN Switch



Step-down With External NPN Switch

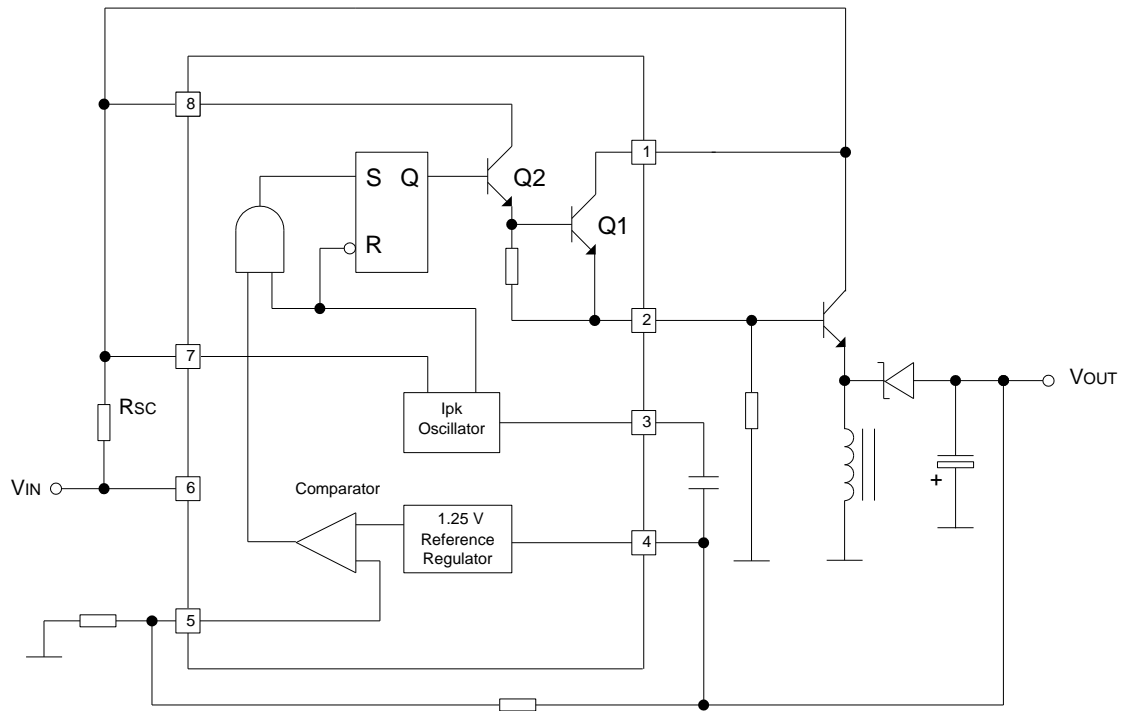


Step-down With External PNP Switch

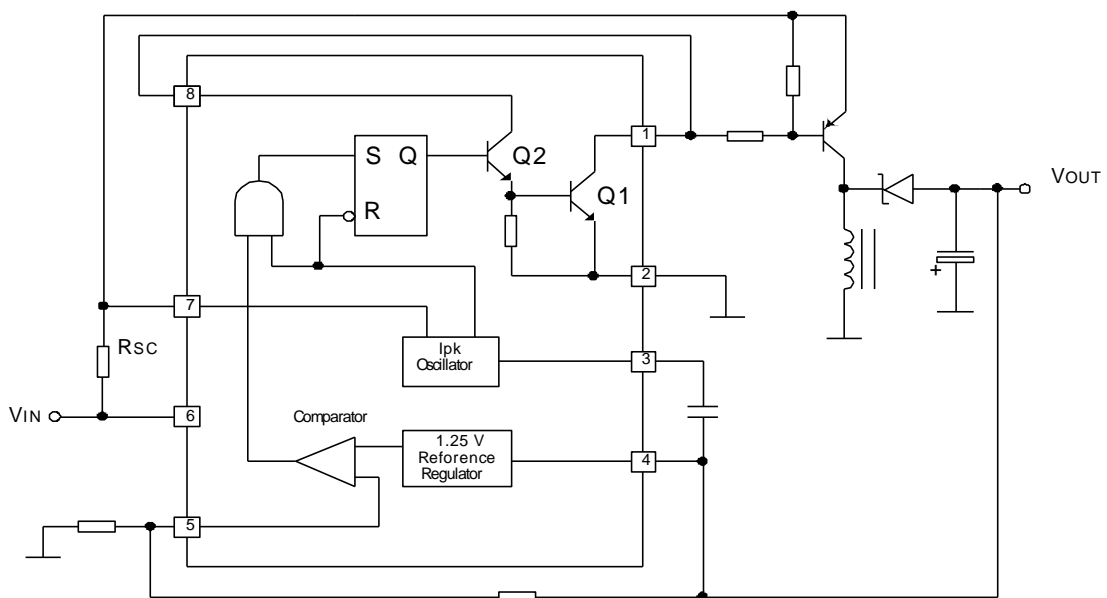


深圳市奥伟斯科技有限公司 联系人:蔡先生 13751188660 QQ: 2853528254  
 www.oweis-tech.com E-mail: leven@oweis-tech.com

Voltage Inverting With External NPN Switch



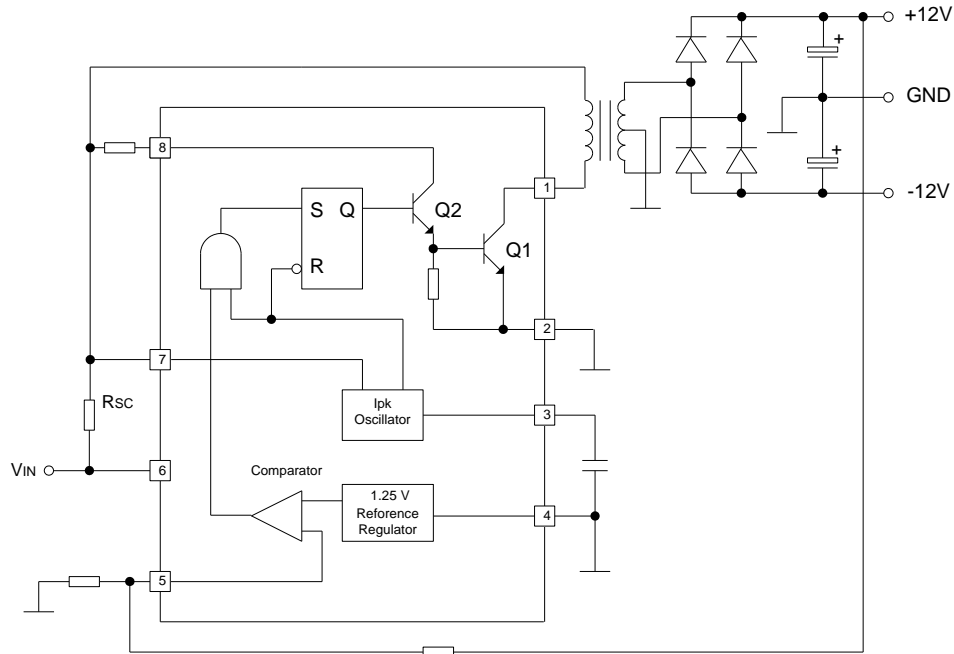
Voltage Inverting With External PNP Saturated Switch



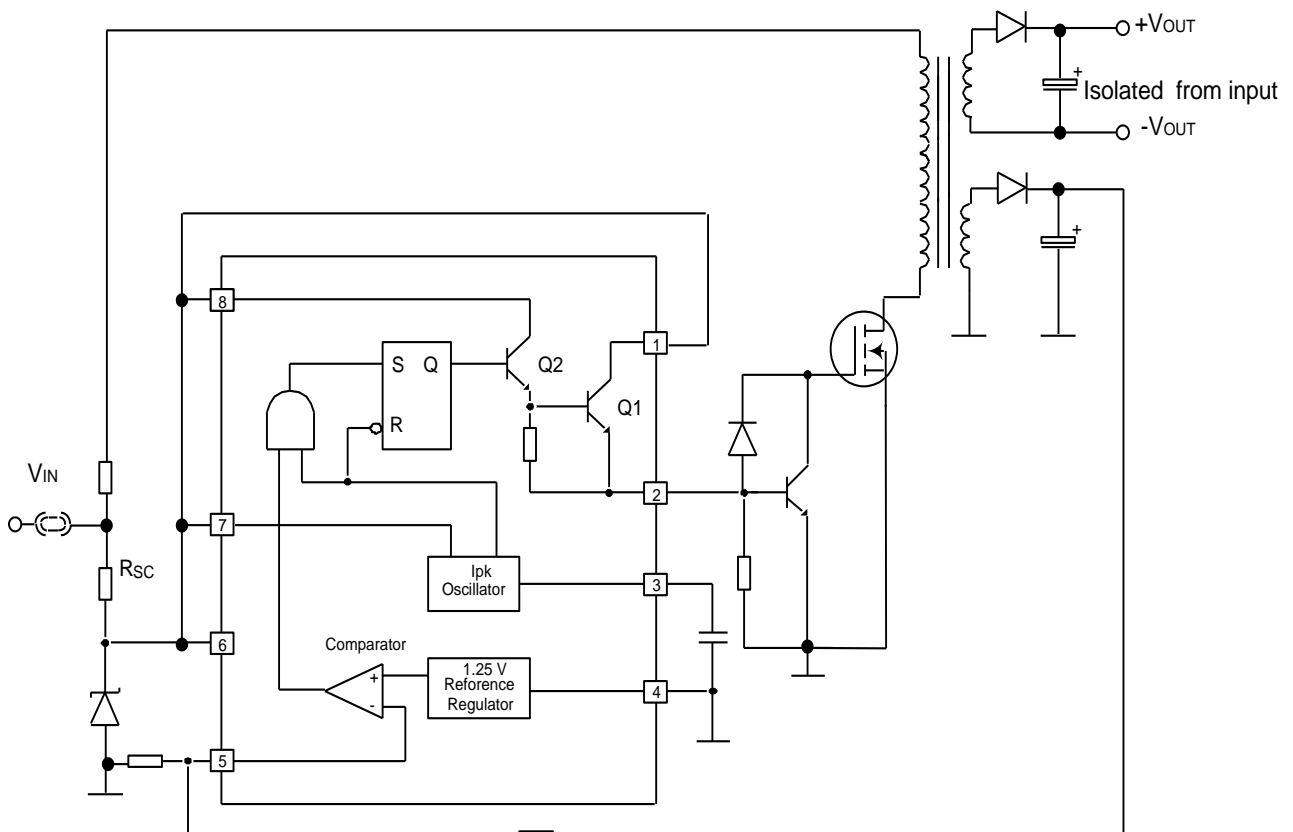
深圳市奥伟斯科技有限公司 联系人:蔡先生 13751188660 QQ: 2853528254  
 www.oweis-tech.com E-mail: leven@oweis-tech.com



Dual Output Voltage

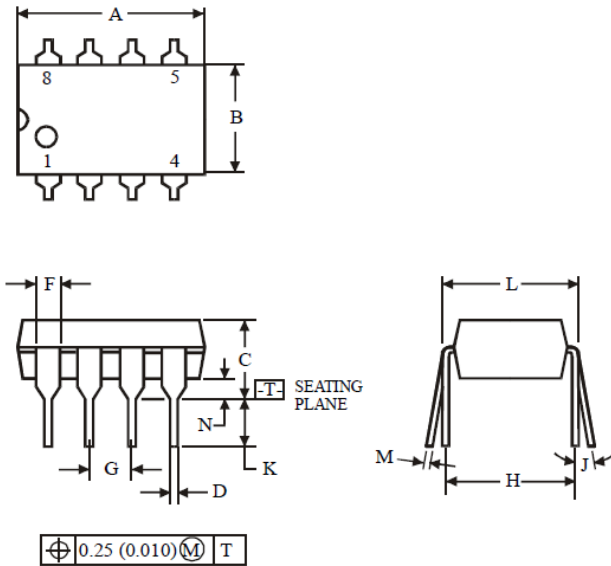
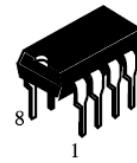


Higher Output Power, Higher Input Voltage



深圳市奥伟斯科技有限公司 联系人:蔡先生 13751188660 QQ: 2853528254  
 www.oweis-tech.com E-mail: leven@oweis-tech.com

**N SUFFIX DIP**  
(MS – 001BA)

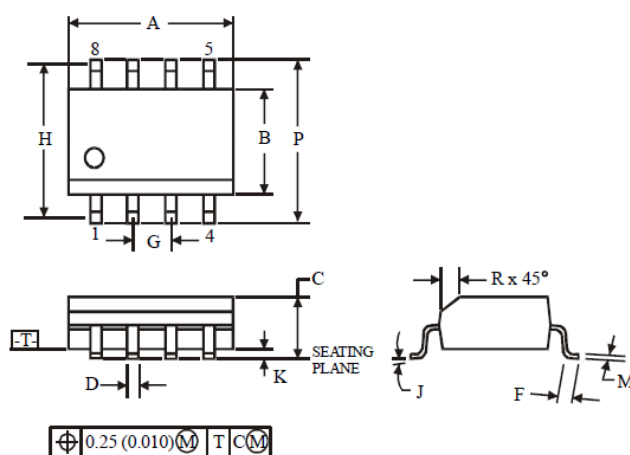


Symbol	Dimension, mm	
	MIN	MAX
A	8.51	10.16
B	6.10	7.11
C		5.33
D	0.36	0.56
F	1.14	1.78
G	2.54	
H	7.62	
J	0°	10°
K	2.92	3.81
L	7.62	8.26
M	0.20	0.36
N	0.38	

**NOTES:**

- Dimensions “A”, “B” do not include mold flash or protrusions.  
Maximum mold flash or protrusions 0.25 mm (0.010) per side.

**D SUFFIX SOP**  
(MS - 012AA)



Symbol	Dimension, mm	
	MIN	MAX
A	4.80	5.00
B	3.80	4.00
C	1.35	1.75
D	0.33	0.51
F	0.40	1.27
G	1.27	
H	5.72	
J	0°	8°
K	0.10	0.25
M	0.19	0.25
P	5.80	6.20
R	0.25	0.50

**NOTES:**

- Dimensions A and B do not include mold flash or protrusion.
- Maximum mold flash or protrusion 0.15 mm (0.006) per side for A; for B - 0.25 mm (0.010) per side.

## X-ON Electronics

Largest Supplier of Electrical and Electronic Components

*Click to view similar products for [Isolated DC/DC Converters](#) category:*

*Click to view products by [IKSEMICON](#) manufacturer:*

Other Similar products are found below :

[ESM6D044440C05AAQ](#) [FMD15.24G](#) [PSL486-7LR](#) [PSR152.5-7IR](#) [Q48T30020-NBB0](#) [AVO240-48S12B-6L](#) [AVO250-48S28B-6L](#) [NAN-0505](#) [HW-L16D](#) [JAHW100Y1](#) [217-1617-001](#) [22827](#) [SPB05C-12](#) [SQ24S15033-PS0S](#) [18952](#) [19-130041](#) [CE-1003](#) [CE-1004](#) [GQ2541-7R](#) [PSE1000DCDC-12V](#) [RDS180245](#) [MAU228](#) [419-2065-201](#) [449-2075-101](#) [TME 0303S](#) [TME 0505S](#) [TME 1205S](#) [TME 1212S](#) [TME 2405S](#) [TME 2412S](#) [J80-0041NL](#) [V300C24C150BG](#) [419-2062-200](#) [419-2063-401](#) [419-2067-101](#) [419-2067-501](#) [419-2068-001](#) [DCG40-5G](#) [DFC15U48D15](#) [449-2067-000](#) [XGS-0512](#) [XGS-1205](#) [XGS-1212](#) [XGS-2412](#) [XGS-2415](#) [XKS-1215](#) [033456](#) [NCT1000N040R050B](#) [SPB05B-15](#) [SPB05C-15](#)