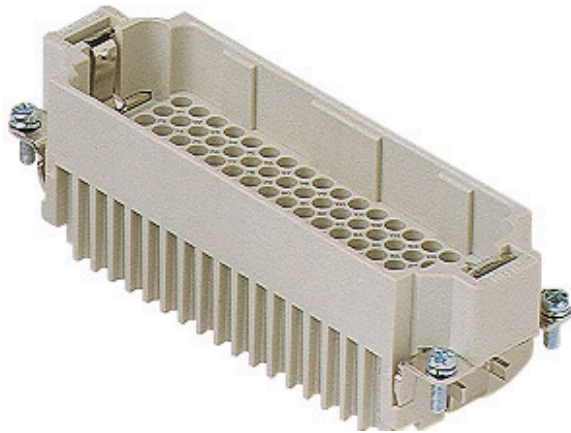


Item code

CDDM 108



Brief description:

male insert, 108 poles + PE, crimp connections, 10A, 250V, 4kV, 2, size "104.27", CLASS insert series

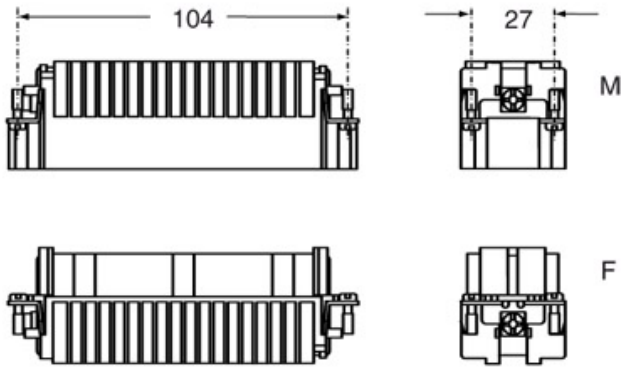
Product description		Approvals / Standards	
Model	male insert	Reference standard	EN 61984 (2001-11)
Version	crimp connections	Quality mark	, EAC
Series	CDD	Conformity	CQC, CE
Product type	for male contacts 10A	General ordering information	
Family	CLASS inserts	EAN code	8015747013925
Size	size "104.27"	Tariff number	85369095
N° of poles	108 poles +	Country of origin	Made in EU (IT)
Technical data		ETIM classification	EC000438
Current	10 A	Packaging Information	
Voltage	250 V	Packaging length	210,00 mm
Sustained impulse voltage	4kV	Packaging height	130,00 mm
Pollution degree	2	Packaging width	240,00 mm
Operating temperature range (min, max)	-50°C ... +70°C	Packaging weight	2,61 kg
Plugging cycles	≥ 200	Packaging volume	6,55 dm ³
IP degree of protection	IP20 without enclosure; IP65/IP66/IP67/IP68 with enclosure	Packaging description	Carton box
Connection type PE	Screw	Packaging quantity	30 Pcs
Stripping length PE connection	7 mm	Packaging EAN code	8015747013932
Wire cross section PE	0,14 - 4 mm ² ; AWG 20 - 12	Sub-packaging weight	0,44 kg
Tightening torque for PE connection (screwdriver)	M4: 1,2 Nm, 10,6 lb.in (Ph2 or 1,0x5,5mm)	Sub-packaging description	Carton
Other technical details		Sub-packaging quantity	5 Pcs
Characteristics according to EN61984	10A 250V 4kV 2	Sub-packaging EAN barcode	8015747013949
Insulation resistance	≥ 1 GΩ		
Contact resistance	≤ 3 mΩ		
Rated voltage according to UL/CSA	600V		
UL 94 flammability rating	V-0		
Tightening torque for fixing screws (screwdriver)	M3: 0.5 Nm; 4.4 lb.in (Ph1 or 0.8x4 mm)		
Weight	70,00 g		

Item code

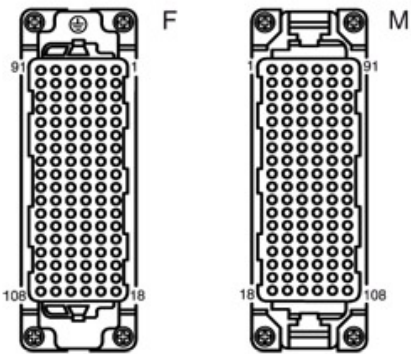
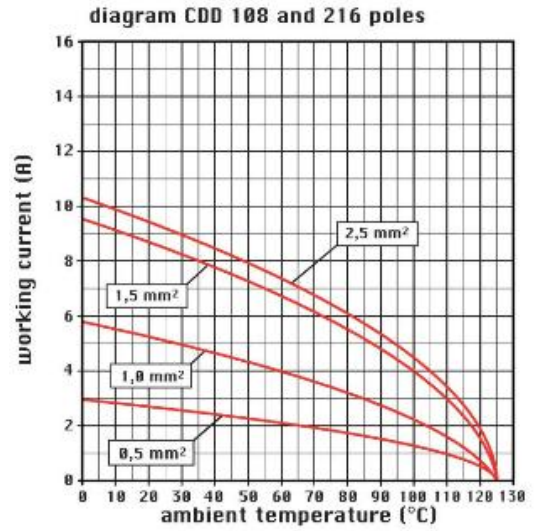
CDDM 108



Catalogue drawings



Catalogue drawings



X-ON Electronics

Largest Supplier of Electrical and Electronic Components

Click to view similar products for [Heavy Duty Power Connectors](#) category:

Click to view products by [ILME](#) manufacturer:

Other Similar products are found below :

[6646058-2](#) [6646137-1](#) [6646138-1](#) [6646940-1](#) [6651091-1](#) [6651525-1](#) [6651529-1](#) [696475-1](#) [702-32-01109](#) [73000005059](#) [73080254296](#)
[73080965046](#) [7310205040001](#) [765-15-0080A](#) [765-16-0080B](#) [765-18-0080D](#) [PS00/A0620/6300](#) [129-1J](#) [E6374G1](#) [157-43GW8](#) [MS3117-](#)
[14AC](#) [1643543-1](#) [1766966-1](#) [1791340000](#) [NLDFT-3-BL-L-S120-M40A](#) [NLDFT-N-W-L-C240-M40B](#) [1926015-1](#) [NLS-N-W-C240-M40B](#) [2-](#)
[1589900-8](#) [2199314-1](#) [KA8102](#) [9300480317](#) [294-0091-01100](#) [296-0040-01100](#) [1648582-1](#) [A32595-0049](#) [1766249-1](#) [1766280-1](#) [1766818-1](#)
[AN0264023](#) [279-0841-10100A](#) [30-9717](#) [RMSB4](#) [4729](#) [492H414-9-01](#) [BSB5](#) [419-2083-301](#) [LCDX4/0-14B-X](#) [075-8519-001](#) [078238-1613](#)