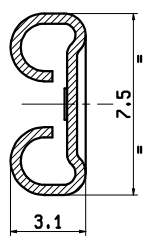
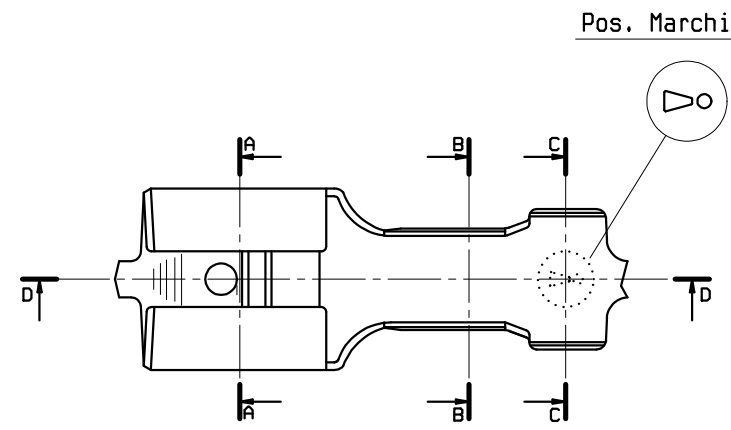


Sez. D-D

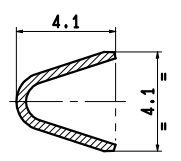
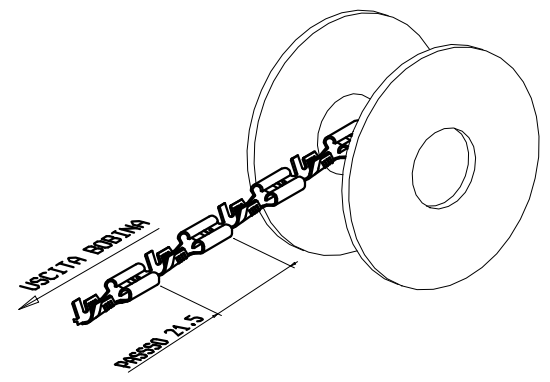
- 01 Particolare secondo Specifica Tecnica INARCA a codice STP0110.0630.0000
- 02 Accoppiabile con linguetta 6.3x0.8 DIN 46244
- 03 Sezione di aggraffatura rame: 1 - 2.5 mm
 Diametro guaina : 2.5 - 4 mm
 Aggraffabile con miniapplicatore frontale:
 AT750210101S PER ACCIAIO REGOLAZIONE ROTANTE A SCATTI



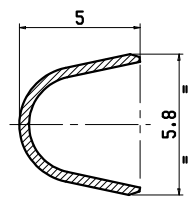
Sez. A-A



Pos. Marchietto




Sez. B-B



Sez. C-C

2	0211344401	Steel	gal Ni
1	0211344121	Steel	pre-Ni
POS	CODICE	MATERIALE	FINITURA

COMMESSA N.	TOLLERANZE GENERALI	Angolari	Spigoli non quotati	Grado di lav.o rugosità	 Connecting energy. Energia in connessione <small>marca app. - ingegneria (S) snc</small>																																																							
DISEGNO N. PL11344	MATERIALE																																																											
PROGETTO	TRAT. TERMICI																																																											
SCALA	FINITURA																																																											
QUANTITA'	TOLLER. LINEARI	<table border="1"> <tr> <th>Dimensioni</th> <th>fino a 3</th> <th>> 3 a 6</th> <th>> 6 a 10</th> <th>> 10 a 18</th> <th>> 18 a 30</th> <th>> 30 a 50</th> <th>> 50 a 80</th> <th>> 80 a 120</th> <th>> 120 a 180</th> <th>> 180 a 250</th> <th>> 250 a 315</th> <th>> 315 a 400</th> <th>> 400 a 500</th> </tr> <tr> <td>mm</td> <td>± 0.03</td> <td>± 0.04</td> <td>± 0.05</td> <td>± 0.06</td> <td>± 0.07</td> <td>± 0.08</td> <td>± 0.1</td> <td>± 0.11</td> <td>± 0.13</td> <td>± 0.15</td> <td>± 0.16</td> <td>± 0.18</td> <td>± 0.2</td> </tr> <tr> <td>INCH</td> <td>± 0.001</td> <td>± 0.0015</td> <td>± 0.002</td> <td>± 0.0025</td> <td>± 0.003</td> <td>± 0.0035</td> <td>± 0.004</td> <td>± 0.0045</td> <td>± 0.005</td> <td>± 0.0055</td> <td>± 0.006</td> <td>± 0.007</td> <td>± 0.008</td> </tr> <tr> <td>ISO J13</td> <td>±</td> <td>±</td> <td>±</td> <td>±</td> <td>±</td> <td>±</td> <td>±</td> <td>±</td> <td>±</td> <td>±</td> <td>±</td> <td>±</td> </tr> </table>				Dimensioni	fino a 3	> 3 a 6	> 6 a 10	> 10 a 18	> 18 a 30	> 30 a 50	> 50 a 80	> 80 a 120	> 120 a 180	> 180 a 250	> 250 a 315	> 315 a 400	> 400 a 500	mm	± 0.03	± 0.04	± 0.05	± 0.06	± 0.07	± 0.08	± 0.1	± 0.11	± 0.13	± 0.15	± 0.16	± 0.18	± 0.2	INCH	± 0.001	± 0.0015	± 0.002	± 0.0025	± 0.003	± 0.0035	± 0.004	± 0.0045	± 0.005	± 0.0055	± 0.006	± 0.007	± 0.008	ISO J13	±	±	±	±	±	±	±	±	±	±	±	±
Dimensioni	fino a 3	> 3 a 6	> 6 a 10	> 10 a 18	> 18 a 30	> 30 a 50	> 50 a 80	> 80 a 120	> 120 a 180	> 180 a 250	> 250 a 315	> 315 a 400	> 400 a 500																																															
mm	± 0.03	± 0.04	± 0.05	± 0.06	± 0.07	± 0.08	± 0.1	± 0.11	± 0.13	± 0.15	± 0.16	± 0.18	± 0.2																																															
INCH	± 0.001	± 0.0015	± 0.002	± 0.0025	± 0.003	± 0.0035	± 0.004	± 0.0045	± 0.005	± 0.0055	± 0.006	± 0.007	± 0.008																																															
ISO J13	±	±	±	±	±	±	±	±	±	±	±	±																																																
<table border="1"> <tr> <td>RED.</td> <td>COPPO</td> <td>DT.</td> <td>25/03/1999</td> </tr> <tr> <td>APP.</td> <td>TONIOLO</td> <td>DT.</td> <td>06/03/2012</td> </tr> <tr> <td>RIL.</td> <td>TONIOLO</td> <td>DT.</td> <td>06/03/2012</td> </tr> <tr> <td>PUB.</td> <td></td> <td>DT.</td> <td></td> </tr> </table>	RED.	COPPO	DT.	25/03/1999	APP.	TONIOLO	DT.	06/03/2012	RIL.	TONIOLO	DT.	06/03/2012	PUB.		DT.		NOME TERM.FEMM.DIR.6,3X0,8 1-2,5																																											
RED.	COPPO	DT.	25/03/1999																																																									
APP.	TONIOLO	DT.	06/03/2012																																																									
RIL.	TONIOLO	DT.	06/03/2012																																																									
PUB.		DT.																																																										
<small>QUESTO DOCUMENTO E' DI PROPRIETA' INARCA PADOVA ITALY. IL SUO CONTENUTO E' RISERVATO E PROTETTO A TERMINE DI LEGGE CON DIVIETO DI RIPRODUZIONE E DIVULGAZIONE FINCHE PARZIALE A TERZI SENZA ESPLICITA AUTORIZZAZIONE</small>																																																												

X-ON Electronics

Largest Supplier of Electrical and Electronic Components

Click to view similar products for [Terminals](#) category:

Click to view products by [INARCA](#) manufacturer:

Other Similar products are found below :

[HT-13-10](#) [71M-250-32-NB](#) [01-2065-1-0216](#) [00581P0075](#) [M10-10RX](#) [M10BCK](#) [60205-1](#) [604200-1](#) [60598-1-CUT-TAPE](#) [60617-1-C](#) [60873-1](#) [M14-516R/SK](#) [M14-6RSX](#) [M18-10FLX](#) [M18-8FBX](#) [M18-8R/LX](#) [M18BCK](#) [61314-6-C](#) [61-S](#) [61-SN-A](#) [62-NBM-A](#) [63-S](#) [640179-1](#) [640917-2-CUT-TAPE](#) [6501550002](#) [66107-2-C](#) [66107-4-C](#) [696683-1](#) [696834-1](#) [696861-1](#) [696931-1](#) [696999-1](#) [M8-516RK](#) [M86700006](#) [MA250DMFMX-A](#) [701-2007](#) [701-2307](#) [701-7761-03](#) [70F-110-32-PB](#) [718-N-A](#) [71M-187-20-NBL](#) [71M-250-32-NBL](#) [72F-187-20-NBL](#) [72M-250-32-NBL](#) [7310](#) [73F-250-32](#) [73F-250-32-NBL](#) [73F-250-32-NL](#) [F14-10C](#) [F-1M](#)