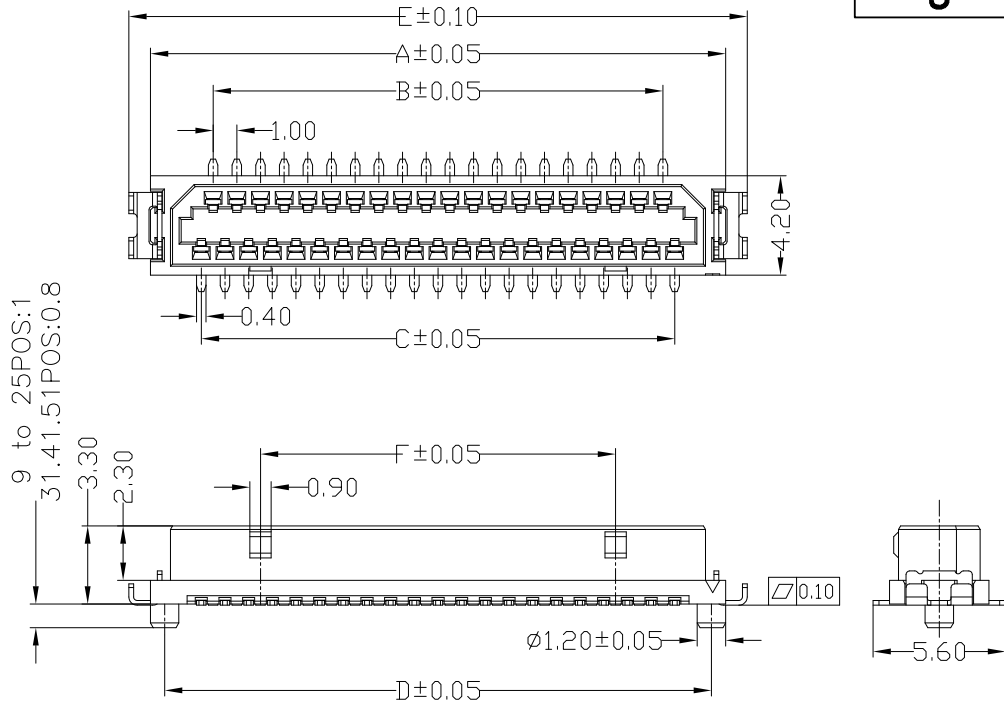


Engineer Drawing



Note:

Electrical

Current Rating: 0.5A

Voltage Rating: 150V AC

Contact Resistance: 50mΩ max(Initial), 75mΩ max(After)

Dielectric Withstanding Voltage: 250VAC

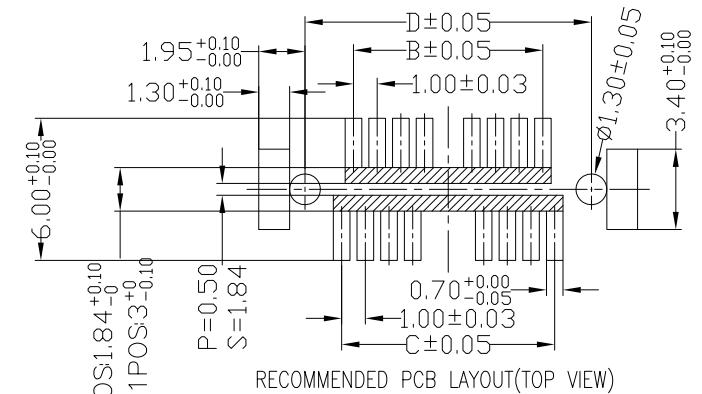
Insulation Resistance 500mega ohms min. at 100 VDC

Physical

Housing: thermoplastic, UL 94V-0 rated, in White Color

Contact: Copper alloy

Operating Temperature: -45°C to +125°C



Note 1: If the pattern is included in the shaded area and not treated with resist, it could touch the connector contact.

Note 2: Please refer to each product size pattern for the universal size on the above patterns (A, B, C, D...).

	A	B	C	D	E	F
9 PIN	8.3	3	4	7.1	10.1	0
11 PIN	9.3	4	5	8.1	11.1	0
13 PIN	10.3	5	6	9.1	12.1	0
15 PIN	11.3	6	7	10.1	13.1	0
17 PIN	12.3	7	8	11.1	14.1	0
19 PIN	13.3	8	9	12.1	15.1	0
21 PIN	14.3	9	10	13.1	16.1	5
23 PIN	15.3	10	11	14.1	17.1	6
25 PIN	16.3	11	12	15.1	18.1	7
31 PIN	19.3	14	15	18.1	21.1	10
41 PIN	24.3	19	20	23.1	26.1	15
51 PIN	29.3	24	25	28.1	31.1	20

IPCB10331 * ** * * *

① ② ③ ④ ⑤ ⑥

- ① Series Type
- ② Type
- ③ Pin code.
- ④ Serial code
- ⑤ Company code.
- ⑥ Serial code

TOLERANCE			www. i-ncp. com	
	PART NO. IPCB10331F xx		TITLE: 1.0mm Borad to Borad H=3.3mm	
	DRAWING NO. IPCB10331F		Female	
UNLESS OTHERWISE SPECIFIED		SHEET 1 OF 1	UNITS mm	SCALE 1:1 REV. 01

X-ON Electronics

Largest Supplier of Electrical and Electronic Components

Click to view similar products for [Board to Board & Mezzanine Connectors](#) category:

Click to view products by [INCP](#) manufacturer:

Other Similar products are found below :

[589158040000018](#) [MDF7C-18P-2.54DSA\(55\)](#) [FCN-268F036-G/BD](#) [FCN-268M012-G/0D](#) [FCN-268M024-G/1D](#) [MIS-048-01-F-D-DP-K](#)
[832-10-034-10-001000](#) [FX4C-80S-1.27DSA](#) [93696-330](#) [224393](#) [FCN-235D050-G/C](#) [210-93-314-41-105000](#) [MDF7-40DP-2.54DSA\(55\)](#)
[MIT-114-03-F-D-K](#) [55323-1519](#) [026-6203-PDB](#) [027-6203-PDB](#) [069159702701000](#) [101A10019X](#) [105061100000861+](#) [55650-0588-C](#) [75140-](#)
[7012](#) [87471-650](#) [YTW-30-07-H-Q-410-140](#) [YTT-112-01-H-Q](#) [063209](#) [10124054-515LF](#) [68685-603](#) [8-1616154-3](#) [MIS-019-01-F-D](#) [YTQ-](#)
[12103HQ](#) [541371078](#) [IL-WX-10PB-HF-B-E1000E](#) [FCN-214J100-G/0](#) [FCN-230C068-E/S](#) [354184](#) [MIT-019-04-F-D-K](#) [P50-028-DDS-TG](#)
[53309-2471](#) [54546-2071](#) [1586617-1](#) [504208-3010](#) [504208-5010](#) [504248-1010](#) [504248-1210](#) [504248-2010](#) [LST-115-07-S-D](#) [LST-105-07-G-](#)
[D](#) [9159005551906](#) [6258](#)