

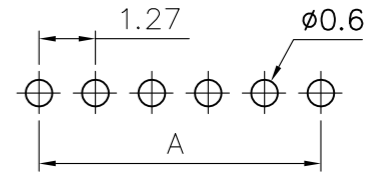
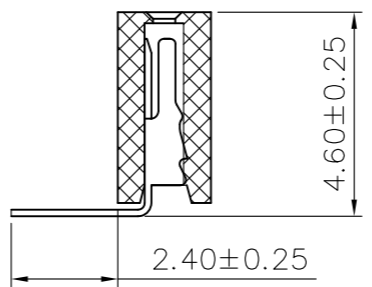
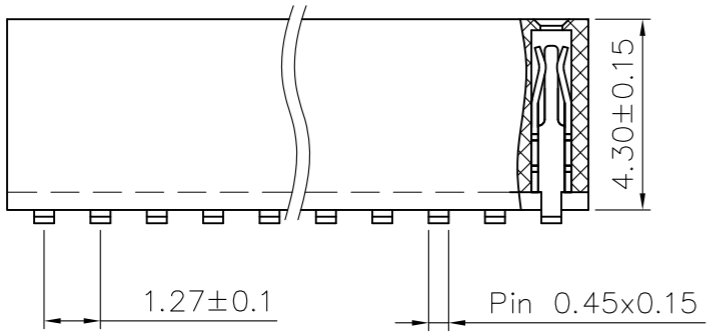
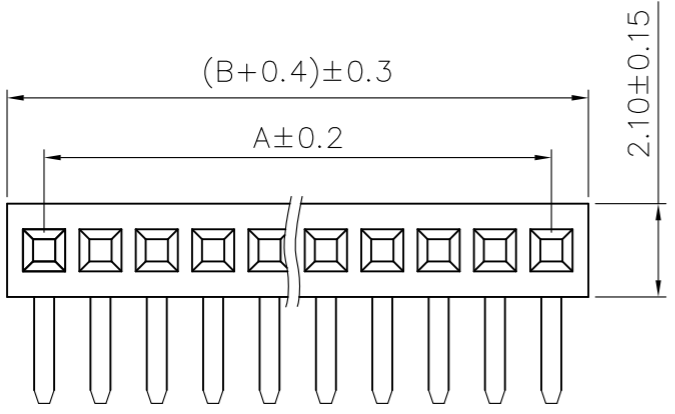
# Engineer Drawing

## SPECIFICATIONS

Current Rating: 1.0 Amps  
 Withstanding Voltage: AC 500V  
 Insulation Resistance: 1000M $\Omega$  Min  
 Contact Resistance: 20m $\Omega$  Max  
 Operation Temperature: -40° to +105°  
 Insulator Material: Polyester (UL94V-0)  
 Contact Material: Phosphor bronze  
 Standard: PA6T  
 Contact Plating: Gold Flash  
 Max. Processing Temp: 240° C for 30-60 seconds  
 (260° C for 5 seconds)

**ICPC 127 F XX X X XX X**

- |               |         |                  |            |                 |                   |               |              |
|---------------|---------|------------------|------------|-----------------|-------------------|---------------|--------------|
| ①             | ②       | ③                | ④          | ⑤               | ⑥                 | ⑦             | ⑧            |
| ① Series Type | ② Pitch | ③ Connector Code | ④ Pin Code | ⑤ Material Code | ⑥ Appearance Code | ⑦ Serial Code | ⑧ Other Code |



**RECOMMEND P. C. B LAYOUT**  
 PCB TOLERANCE: ±0.05 (TOP VIEW)

| No. of | DIM. A | DIM. B | No. of | DIM. A | DIM. B | No. of | DIM. A | DIM. B | No. of | DIM. A | DIM. B | No. of | DIM. A | DIM. B |
|--------|--------|--------|--------|--------|--------|--------|--------|--------|--------|--------|--------|--------|--------|--------|
| 1      | —      | —      | 11     | 12.70  | 13.97  | 21     | 25.40  | 26.67  | 31     | 38.10  | 39.37  | 41     | 50.80  | 52.07  |
| 2      | 1.27   | 2.54   | 12     | 13.97  | 15.24  | 22     | 26.67  | 27.94  | 32     | 39.37  | 40.64  | 42     | 52.07  | 53.34  |
| 3      | 2.54   | 3.81   | 13     | 15.24  | 16.51  | 23     | 27.94  | 29.21  | 33     | 40.64  | 41.91  | 43     | 53.34  | 54.61  |
| 4      | 3.81   | 5.08   | 14     | 16.51  | 17.78  | 24     | 29.21  | 30.48  | 34     | 41.91  | 43.18  | 44     | 54.61  | 55.88  |
| 5      | 5.08   | 6.35   | 15     | 17.78  | 19.05  | 25     | 30.48  | 31.75  | 35     | 43.18  | 44.45  | 45     | 55.88  | 57.15  |
| 6      | 6.35   | 7.62   | 16     | 19.05  | 20.32  | 26     | 31.75  | 33.02  | 36     | 44.45  | 45.72  | 46     | 57.15  | 58.42  |
| 7      | 7.62   | 8.89   | 17     | 20.32  | 21.59  | 27     | 33.02  | 34.29  | 37     | 45.72  | 46.99  | 47     | 58.42  | 59.69  |
| 8      | 8.89   | 10.16  | 18     | 21.59  | 22.86  | 28     | 34.29  | 35.56  | 38     | 46.99  | 48.26  | 48     | 59.69  | 60.96  |
| 9      | 10.16  | 11.43  | 19     | 22.86  | 24.13  | 29     | 35.56  | 36.83  | 39     | 48.26  | 49.53  | 49     | 60.96  | 62.23  |
| 10     | 11.43  | 12.70  | 20     | 24.13  | 25.40  | 30     | 36.83  | 38.10  | 40     | 49.53  | 50.80  | 50     | 62.23  | 63.50  |

|  |                                    |   |
|--|------------------------------------|---|
| <b>TOLERANCES:</b><br>X. = ±0.30<br>X.X = ±0.25<br>X.XX = ±0.20<br><b>GENERAL ANGLE</b><br>X° = ±5°<br>X.X° = ±1°<br>X.XX° = ±0.5° |                                    | <a href="http://www.i-ncp.com">www.i-ncp.com</a>                        |
|  | <b>PART NO:</b><br>IPCP127F xx 08R | <b>NAME:</b><br>1.27FH H4.3 1xnPin 90°<br>W2.1 U Tpye PC2.4 PB4.6<br>6T |
|  | <b>DRAWING NO</b><br>IPCP127F08R   | <b>UNITS:</b> mm <b>SCALE:</b> 1:1 <b>REV:</b> 01                       |
|  | SHEET 1 OF 1                       |   |

## X-ON Electronics

Largest Supplier of Electrical and Electronic Components

*Click to view similar products for [Headers & Wire Housings](#) category:*

*Click to view products by [INCP](#) manufacturer:*

Other Similar products are found below :

[0015917161](#) [0022155065](#) [57102-F02-18ULF](#) [58102-G61-06LF](#) [582553-1](#) [01.001.5753.1](#) [0050291907](#) [02.125.8002.8](#) [609-3404](#) [61062-3](#)  
[CSU011177004](#) [622-0430](#) [622-3653LF](#) [63453-116](#) [636-1030](#) [636-1427](#) [636-3427](#) [636-4007](#) [641938-9](#) [65495-038](#) [65692-001LF](#) [65781-018](#)  
[65781-047](#) [65817-010LF](#) [65817-015LF](#) [67095-007LF](#) [67601157](#) [68631-112](#) [68645-018](#) [699319-000](#) [70.362.1628.0](#) [70-4210](#) [70-4226B](#) [70-](#)  
[4853B](#) [71.350.2428.0](#) [733-134](#) [733-162](#) [760-3052](#) [MHR-64-VUAL](#) [80.063.4001.1](#) [800-90-001-10-001000](#) [801-43-002-10-013000](#)  
[801-43-006-10-002000](#) [803-43-024-10-001000](#) [803-93-012-10-001000](#) [8-1437020-4](#) [819-22-004-30-001101](#) [820-22-006-30-001101](#)  
[820-22-008-30-001101](#) [821-22-002-10-001101](#)