

RoHS+HF

Engineer Drawing

NOTE:

1.MATERIAL SPECIFICATION:

1-1.HOUSING: LCP,UL94V-0

1-2.CONTACTS: PHOSPHOR BRONZE

1-3.SOLDER TABS: PHOSPHOR BRONZE

2.PLATING SPECIFICATION:

2-1.CONTACTS:

TIN/GOLD FLASH PLATED OVER ALL.

2-2.SOLDER TABS:

Matte Tin PLATED OVER ALL.

3.MECHANICAL PERFORMANCE:

3-1.RETENTIVITY FORCE: 0.05KGF/pin min

3-2.DURABILITY: 10 CYCLES.

4.ELECTRICAL PERFORMANCE:

4-1.CURRENT RATING: 1.5A AC/DC

RATED VOLTAGE : 50V AC/DC

4-2.CONTACT RESISTANCE: 20 mΩ MAX

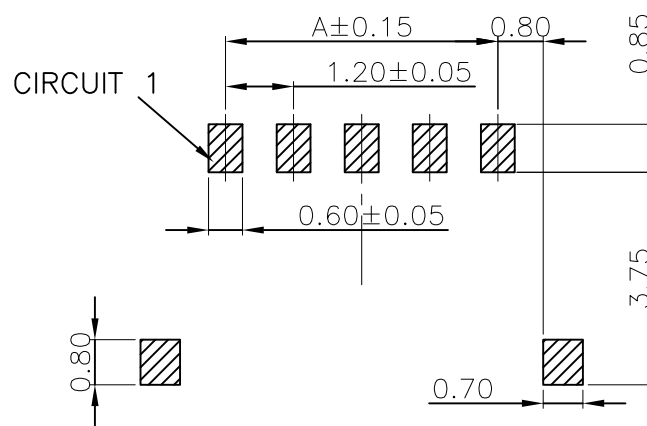
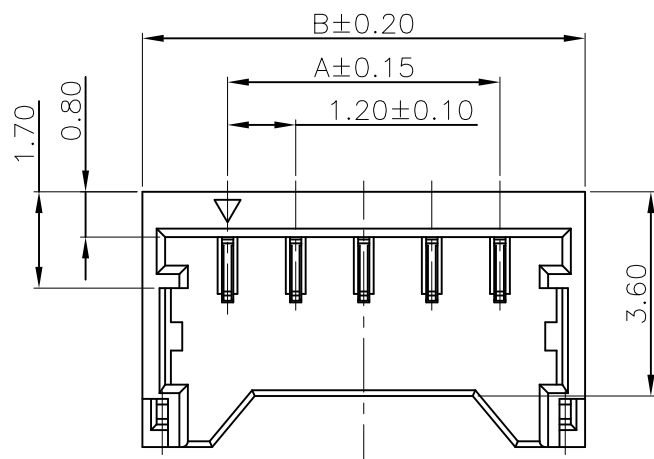
4-3.INSULATION RESISTANCE: 100MΩ Min

4-4.DIELECTRIC WITHSTANDING : 500V

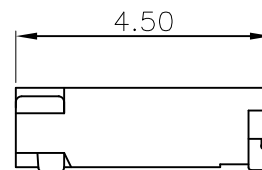
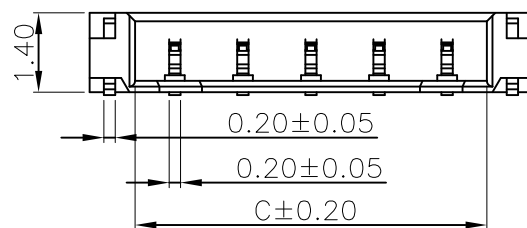
5.ENVIRONMENTAL PERFORMANCE:

5-1.OPERATING TEMPERATURE: -25°C~+85°C.

6.PACKAGE SPEC: REEL



P.C.B LAYOUT
(TOP VIEW)



IPCW120W ** * * * * *

① ② ③ ④ ⑤ ⑥ ⑦

- ① Series Type
- ② Pin code.
- ③ Material code
- ④ Appereace code
- ⑤ Ineral code
- ⑥ Company code.
- ⑦ Other code.

Circuit	Dimensions (mm)		
	A	B	C
02	---	4.20	2.65
03	2.40	5.40	3.85
04	3.60	6.60	5.05
05	4.80	7.80	6.25
06	6.00	9.00	7.45
07	7.20	10.20	8.65
10	10.80	13.80	12.25

TOLERANCE

.X ± 0.35

.XX ± 0.25

.XXX ± 0.0

ANGLES ±6°

UNLESS OTHERWISE SPECIFIED

NCP

www.i-ncp.com

PART NO.
IPCW120W xx

TITLE:
Pitch 1.20mm MX 90° SMT
Single row Wafer

DRAWING NO.
IPCW120W06



SHEET 1 OF 1

UNITS mm

SCALE 1:1

REV. 01

X-ON Electronics

Largest Supplier of Electrical and Electronic Components

Click to view similar products for [Headers & Wire Housings](#) category:

Click to view products by [INCP](#) manufacturer:

Other Similar products are found below :

[0015917161](#) [0022155065](#) [57102-F02-18ULF](#) [58102-G61-06LF](#) [582553-1](#) [01.001.5753.1](#) [0050291907](#) [02.125.8002.8](#) [609-3404](#) [61062-3](#)
[CSU011177004](#) [622-0430](#) [622-3653LF](#) [63453-116](#) [636-1030](#) [636-1427](#) [636-3427](#) [636-4007](#) [641938-9](#) [65495-038](#) [65692-001LF](#) [65781-018](#)
[65781-047](#) [65817-010LF](#) [65817-015LF](#) [67095-007LF](#) [67601157](#) [68631-112](#) [68645-018](#) [699319-000](#) [70.362.1628.0](#) [70-4210](#) [70-4226B](#) [70-](#)
[4853B](#) [71.350.2428.0](#) [733-134](#) [733-162](#) [760-3052](#) [MHR-64-VUAL](#) [80.063.4001.1](#) [800-90-001-10-001000](#) [801-43-002-10-013000](#)
[801-43-006-10-002000](#) [803-43-024-10-001000](#) [803-93-012-10-001000](#) [8-1437020-4](#) [819-22-004-30-001101](#) [820-22-006-30-001101](#)
[820-22-008-30-001101](#) [821-22-002-10-001101](#)