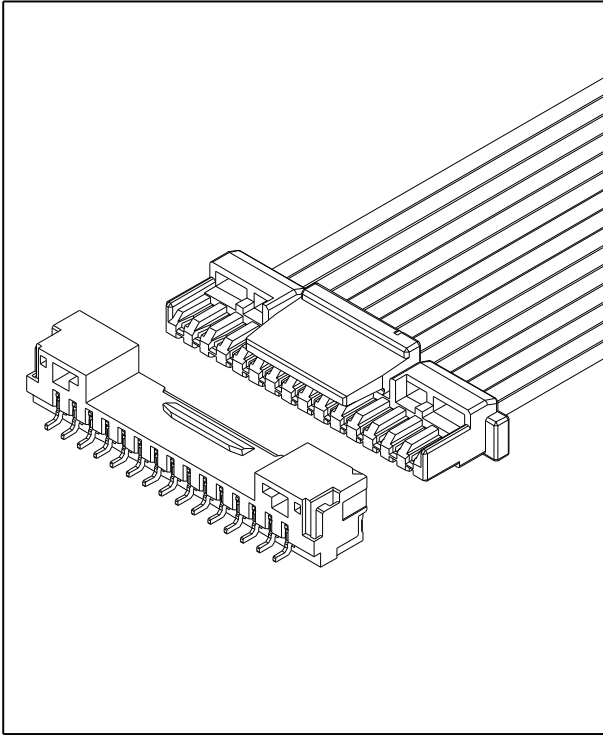


1.25mm Pitch Wire To Board Connector

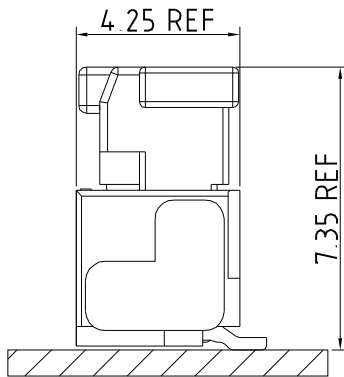


Specification

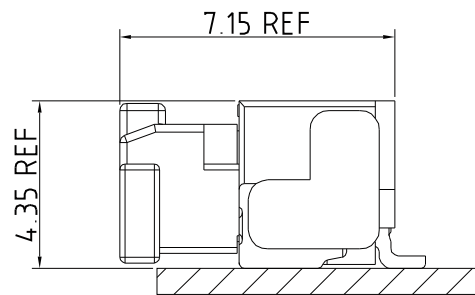
| | |
|-----------------------|----------------|
| Circuits | 1x02 - 1x15 |
| Pitch | 1.25mm |
| Current Rating | 1A AC/DC |
| Voltage Rating | 50V AC/DC |
| Contact Resistance | 30mΩ MAX. |
| Withstand Voltage | 500V AC/minute |
| Insulation Resistance | 100MΩ MIN. |
| Temperature Range | -25°C - +85°C |
| Applicable Wire Range | AWG #26 - #30 |

Assembly Layout

Vertical Type



Right Angle Type



IPCW125 * ** * * * * *
 ① ② ③ ④ ⑤ ⑥ ⑦ ⑧

- ① Series Type. IPCW125
- ② Connector Type.
T: Terminal
W: Wafer
H: Housing
- ③ Pin code.
Terminal: Serial number
Wafer or Housing: x row x pin number of row
- ④ Material code.
- ⑤ Appearance code.
- ⑥ Internal code
- ⑦ Company code.

- ⑧ Other code.
Housing
Wafer
S: Vertical SMT Type
M: Right Angle SMT TYPE

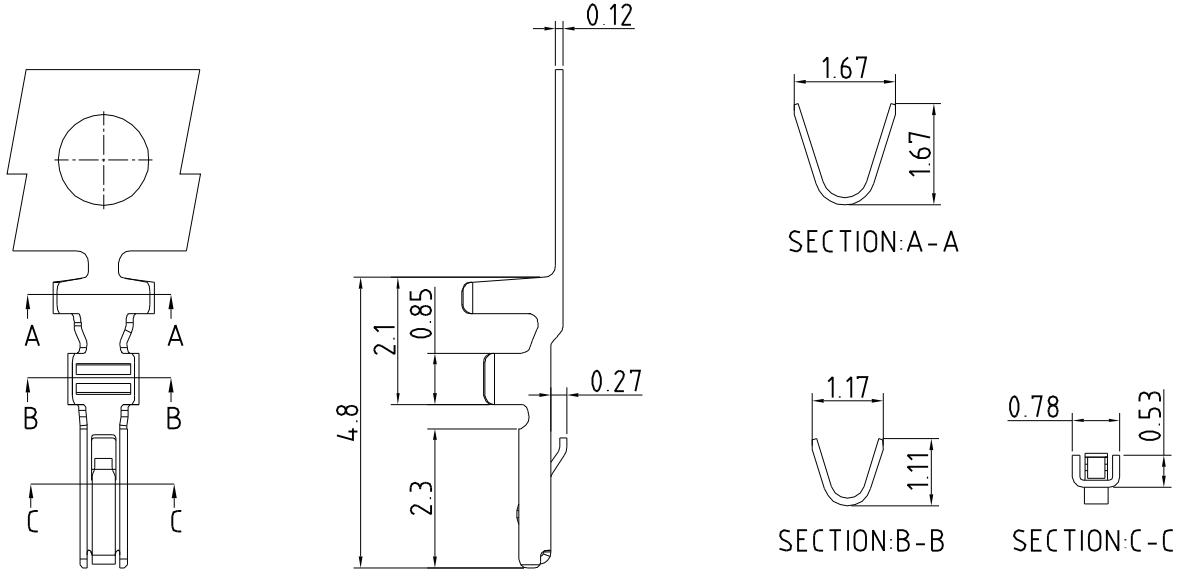
1.25mm Pitch Wire To Board Connector

Unit : mm

Terminal

Features

Use with: IPCW125 Series Housing



CONTACT INFORMATION

| Part No | Wire Range | Insulation O.D. | Material | Finish | Q'ty/Reel |
|-------------|-------------|-----------------|-----------------|----------|------------|
| IPCW125T01* | AWG #26-#30 | 1.00mm(MAX.) | Phosphor bronze | See note | 15,000 pcs |

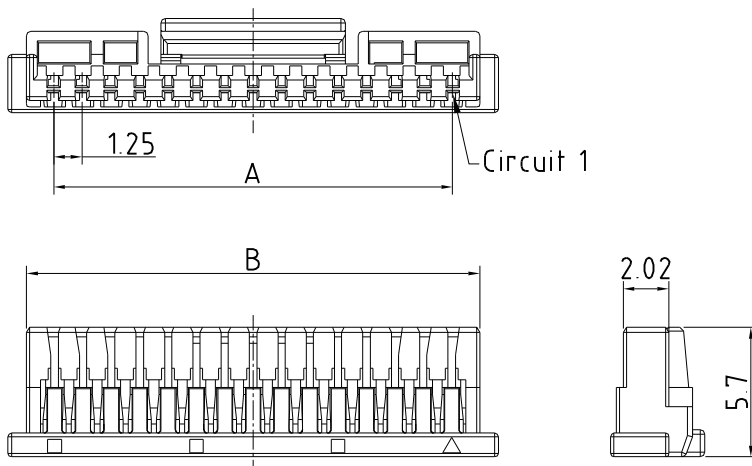
Housing

Features

Available Number of Circuits: 1x02 - 1x15

Material: Regular Thermoplastic 94V-0

Use with: IPCW125 Crimp Terminal



Dimension and Order Information

| Circuits | Part No. | DIM.(mm) | |
|----------|-------------|----------|-------|
| | | A | B |
| 2 | IPCW125H12* | 1.25 | 3.75 |
| 3 | IPCW125H13* | 2.50 | 5.00 |
| 4 | IPCW125H14* | 3.75 | 6.25 |
| 5 | IPCW125H15* | 5.00 | 7.50 |
| 6 | IPCW125H16* | 6.25 | 8.75 |
| 7 | IPCW125H17* | 7.50 | 10.00 |
| 8 | IPCW125H18* | 8.75 | 11.25 |
| 9 | IPCW125H19* | 10.00 | 12.50 |
| 10 | IPCW125H1A* | 11.25 | 13.75 |
| 11 | IPCW125H1B* | 12.50 | 15.00 |
| 12 | IPCW125H1C* | 13.75 | 16.25 |
| 13 | IPCW125H1D* | 15.00 | 17.50 |
| 14 | IPCW125H1E* | 16.25 | 18.75 |
| 15 | IPCW125H1F* | 17.50 | 20.00 |

1.25mm Pitch Wire To Board Connector

Wafer

Right Angle SMT TYPE

Unit : mm

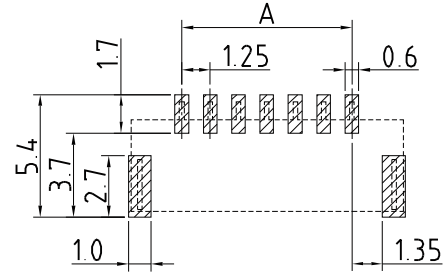
Features

Available Number of Circuits: 1x02 - 1x15

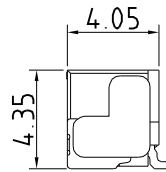
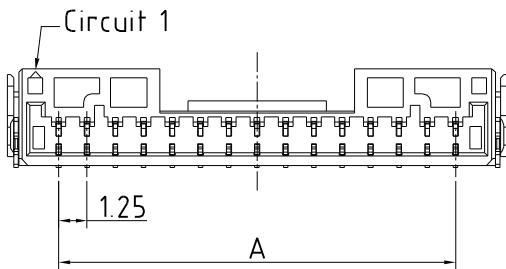
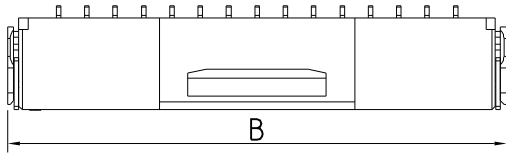
Material: High Temperature Thermoplastic 94V-0

Contact : 0.2mm(.008") Copper Alloy Tin-plated

Mates with : IPCW125 Series Housing



P.C.B LAYOUT



Dimension and Order Information

| Circuits | Part No. | DIM.(mm) | |
|----------|--------------|----------|-------|
| | | A | B |
| 2 | IPCW125W12*M | 1.25 | 5.75 |
| 3 | IPCW125W13*M | 2.50 | 7.00 |
| 4 | IPCW125W14*M | 3.75 | 8.25 |
| 5 | IPCW125W15*M | 5.00 | 9.00 |
| 6 | IPCW125W16*M | 6.25 | 10.75 |
| 7 | IPCW125W17*M | 7.50 | 12.00 |
| 8 | IPCW125W18*M | 8.75 | 13.25 |
| 9 | IPCW125W19*M | 10.00 | 14.50 |
| 10 | IPCW125W1A*M | 11.25 | 15.75 |
| 11 | IPCW125W1B*M | 12.50 | 17.00 |
| 12 | IPCW125W1C*M | 13.75 | 18.25 |
| 13 | IPCW125W1D*M | 15.00 | 19.50 |
| 14 | IPCW125W1E*M | 16.25 | 20.75 |
| 15 | IPCW125W1F*M | 17.50 | 22.00 |

Wafer

Vertical SMT Type

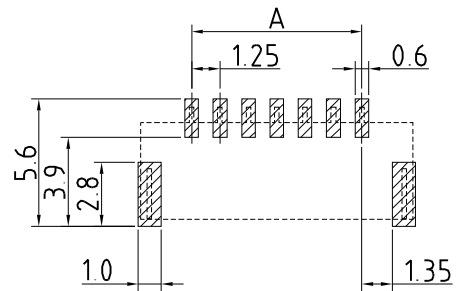
Features

Available Number of Circuits: 1x02 - 1x15

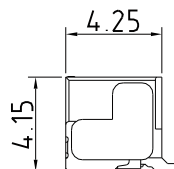
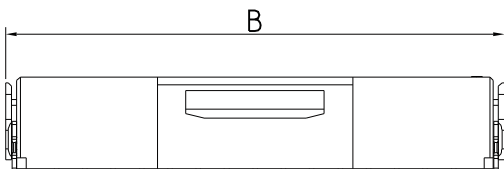
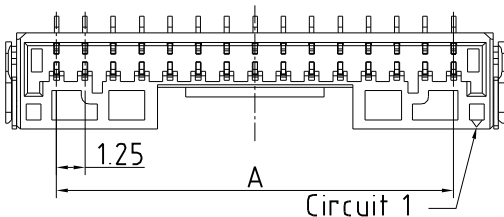
Material: High Temperature Thermoplastic 94V-0

Contact : 0.2mm(.008") Copper Alloy, Tin-plated

Mates with : IPCW125 Series Housing



P.C.B LAYOUT



Dimension and Order Information

| Circuits | Part No. | DIM.(mm) | |
|----------|--------------|----------|-------|
| | | A | B |
| 2 | IPCW125W12*S | 1.25 | 5.75 |
| 3 | IPCW125W13*S | 2.50 | 7.00 |
| 4 | IPCW125W14*S | 3.75 | 8.25 |
| 5 | IPCW125W15*S | 5.00 | 9.00 |
| 6 | IPCW125W16*S | 6.25 | 10.75 |
| 7 | IPCW125W17*S | 7.50 | 12.00 |
| 8 | IPCW125W18*S | 8.75 | 13.25 |
| 9 | IPCW125W19*S | 10.00 | 14.50 |
| 10 | IPCW125W1A*S | 11.25 | 15.75 |
| 11 | IPCW125W1B*S | 12.50 | 17.00 |
| 12 | IPCW125W1C*S | 13.75 | 18.25 |
| 13 | IPCW125W1D*S | 15.00 | 19.50 |
| 14 | IPCW125W1E*S | 16.25 | 20.75 |
| 15 | IPCW125W1F*S | 17.50 | 22.00 |

X-ON Electronics

Largest Supplier of Electrical and Electronic Components

Click to view similar products for [Headers & Wire Housings](#) category:

Click to view products by [INCP](#) manufacturer:

Other Similar products are found below :

[57102-F02-18ULF](#) [58102-G61-06LF](#) [582553-1](#) [009176003701906](#) [01.001.5753.1](#) [0050291907](#) [02.125.8002.8](#) [609-3404](#) [61062-3](#)
[CSU011177004](#) [622-0430](#) [622-3653LF](#) [63453-116](#) [636-1030](#) [636-1427](#) [636-3427](#) [636-4007](#) [641938-9](#) [644827-2](#) [65495-038](#) [65692-001LF](#)
[65781-018](#) [65781-047](#) [65817-010LF](#) [65817-015LF](#) [66207-023LF](#) [67095-007LF](#) [67601157](#) [68631-112](#) [68645-018](#) [699319-000](#)
[M90C108951C](#) [70.362.1628.0](#) [70-4210](#) [70-4226B](#) [70-4853B](#) [707-5028](#) [71.350.2428.0](#) [71961-016LF](#) [733-134](#) [733-162](#) [754199-000](#) [760-](#)
[3052](#) [80.063.4001.1](#) [800-90-001-10-001000](#) [800-90-010-10-002000](#) [801-43-002-10-013000](#) [801-43-006-10-002000](#) [803-41-018-10-001000](#)
[803-43-024-10-001000](#)