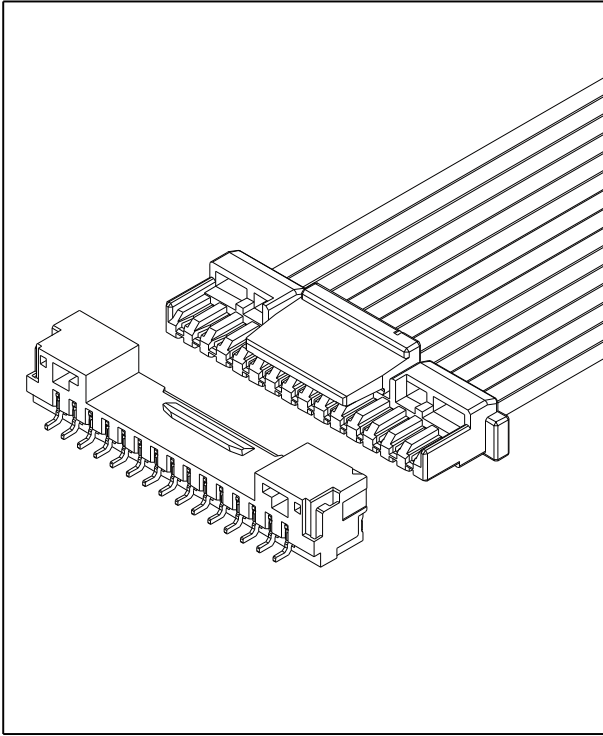


## 1.25mm Pitch Wire To Board Connector

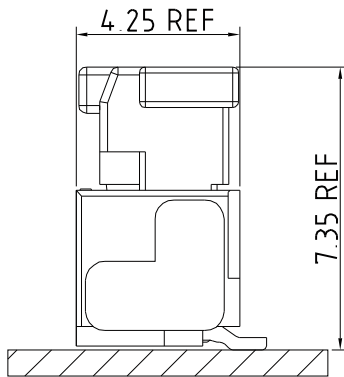


### Specification

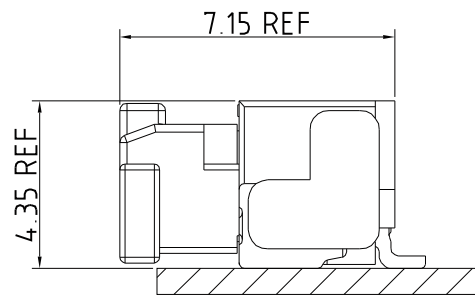
Circuits	1x02 - 1x15
Pitch	1.25mm
Current Rating	1A AC/DC
Voltage Rating	50V AC/DC
Contact Resistance	30mΩ MAX.
Withstand Voltage	500V AC/minute
Insulation Resistance	100MΩ MIN.
Temperature Range	-25°C - +85°C
Applicable Wire Range	AWG #26 - #30

### Assembly Layout

Vertical Type



Right Angle Type



IPCW125 \* \*\* \* \* \* \* \*  
 ① ② ③ ④ ⑤ ⑥ ⑦ ⑧

- ① Series Type. IPCW125
- ② Connector Type.  
T: Terminal  
W: Wafer  
H: Housing
- ③ Pin code.  
Terminal: Serial number  
Wafer or Housing: x row x pin number of row
- ④ Material code.
- ⑤ Appearance code.
- ⑥ Internal code
- ⑦ Company code.

- ⑧ Other code.  
Housing  
Wafer  
S: Vertical SMT Type  
M: Right Angle SMT TYPE

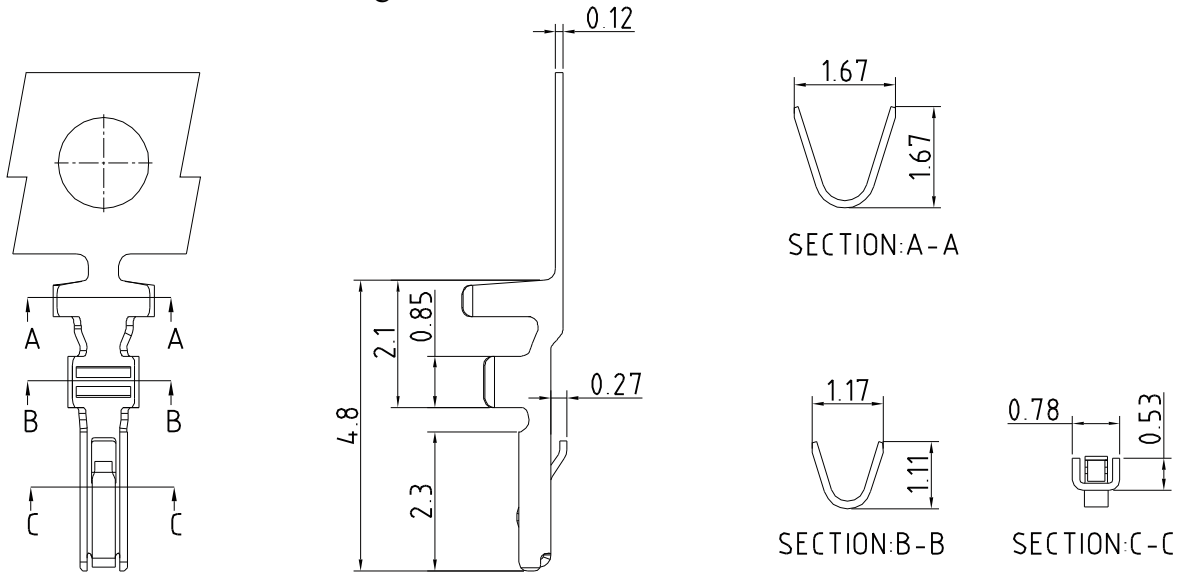
## 1.25mm Pitch Wire To Board Connector

Unit : mm

### Terminal

#### Features

Use with: IPCW125 Series Housing



### CONTACT INFORMATION

Part No	Wire Range	Insulation O.D.	Material	Finish	Q'ty/Reel
IPCW125T01*	AWG #26-#30	1.00mm(MAX.)	Phosphor bronze	See note	15,000 pcs

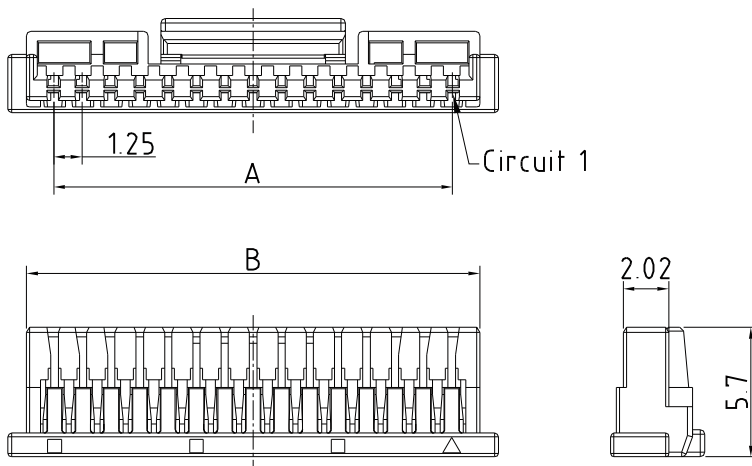
### Housing

#### Features

Available Number of Circuits: 1x02 - 1x15

Material: Regular Thermoplastic 94V-0

Use with: IPCW125 Crimp Terminal



### Dimension and Order Information

Circuits	Part No.	DIM.(mm)	
		A	B
2	IPCW125H12*	1.25	3.75
3	IPCW125H13*	2.50	5.00
4	IPCW125H14*	3.75	6.25
5	IPCW125H15*	5.00	7.50
6	IPCW125H16*	6.25	8.75
7	IPCW125H17*	7.50	10.00
8	IPCW125H18*	8.75	11.25
9	IPCW125H19*	10.00	12.50
10	IPCW125H1A*	11.25	13.75
11	IPCW125H1B*	12.50	15.00
12	IPCW125H1C*	13.75	16.25
13	IPCW125H1D*	15.00	17.50
14	IPCW125H1E*	16.25	18.75
15	IPCW125H1F*	17.50	20.00

## 1.25mm Pitch Wire To Board Connector

### Wafer

Right Angle SMT TYPE

Unit : mm

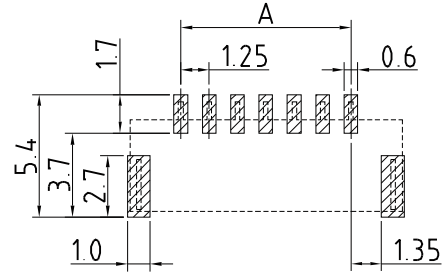
#### Features

**Available Number of Circuits:** 1x02 - 1x15

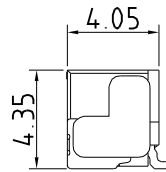
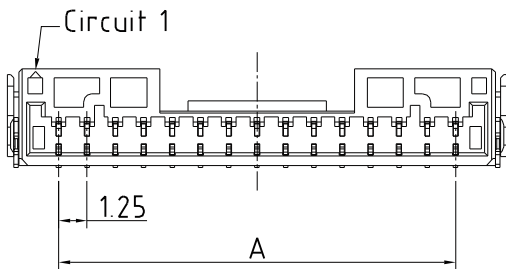
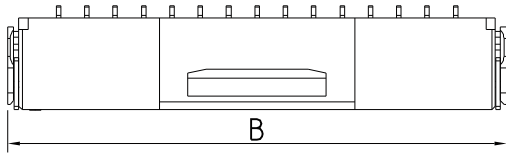
**Material:** High Temperature Thermoplastic 94V-0

**Contact :** 0.2mm(.008") Copper Alloy Tin-plated

**Mates with :** IPCW125 Series Housing



P.C.B LAYOUT



#### Dimension and Order Information

Circuits	Part No.	DIM.(mm)	
		A	B
2	IPCW125W12*M	1.25	5.75
3	IPCW125W13*M	2.50	7.00
4	IPCW125W14*M	3.75	8.25
5	IPCW125W15*M	5.00	9.00
6	IPCW125W16*M	6.25	10.75
7	IPCW125W17*M	7.50	12.00
8	IPCW125W18*M	8.75	13.25
9	IPCW125W19*M	10.00	14.50
10	IPCW125W1A*M	11.25	15.75
11	IPCW125W1B*M	12.50	17.00
12	IPCW125W1C*M	13.75	18.25
13	IPCW125W1D*M	15.00	19.50
14	IPCW125W1E*M	16.25	20.75
15	IPCW125W1F*M	17.50	22.00

### Wafer

Vertical SMT Type

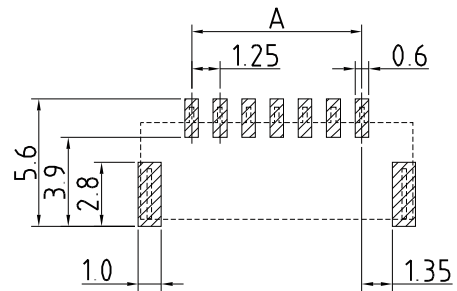
#### Features

**Available Number of Circuits:** 1x02 - 1x15

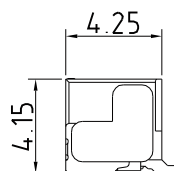
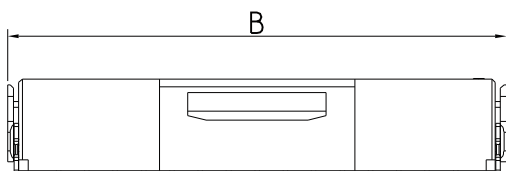
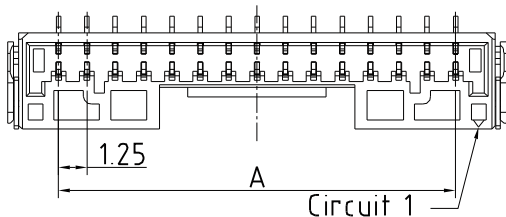
**Material:** High Temperature Thermoplastic 94V-0

**Contact :** 0.2mm(.008") Copper Alloy, Tin-plated

**Mates with :** IPCW125 Series Housing



P.C.B LAYOUT



#### Dimension and Order Information

Circuits	Part No.	DIM.(mm)	
		A	B
2	IPCW125W12*S	1.25	5.75
3	IPCW125W13*S	2.50	7.00
4	IPCW125W14*S	3.75	8.25
5	IPCW125W15*S	5.00	9.00
6	IPCW125W16*S	6.25	10.75
7	IPCW125W17*S	7.50	12.00
8	IPCW125W18*S	8.75	13.25
9	IPCW125W19*S	10.00	14.50
10	IPCW125W1A*S	11.25	15.75
11	IPCW125W1B*S	12.50	17.00
12	IPCW125W1C*S	13.75	18.25
13	IPCW125W1D*S	15.00	19.50
14	IPCW125W1E*S	16.25	20.75
15	IPCW125W1F*S	17.50	22.00

## X-ON Electronics

Largest Supplier of Electrical and Electronic Components

*Click to view similar products for [Headers & Wire Housings](#) category:*

*Click to view products by [INCP](#) manufacturer:*

Other Similar products are found below :

[57102-F02-18ULF](#) [58102-G61-06LF](#) [0009485154](#) [009176003701906](#) [0050291907](#) [00-9021-0611-00-339](#) [02.125.8002.8](#) [609-3404](#) [61062-3](#)  
[622-0430](#) [622-3653LF](#) [63453-116](#) [636-1030](#) [636-1427](#) [636-3427](#) [636-4007](#) [641938-9](#) [644827-2](#) [65495-038](#) [65692-001LF](#) [65781-018](#)  
[65781-047](#) [65817-010LF](#) [65817-015LF](#) [66207-023LF](#) [67016-026LF](#) [67095-007LF](#) [68631-112](#) [68645-018](#) [68648-049](#) [699319-000](#)  
[70.362.1628.0](#) [70-4210](#) [70-4226B](#) [70-4853B](#) [707-5020](#) [707-5028](#) [71.350.2428.0](#) [71961-016LF](#) [733-134](#) [754199-000](#) [760-3052](#) [787-8014-00](#)  
[FCN-367T-T012/H](#) [80.063.4001.1](#) [800-90-001-10-001000](#) [800-90-010-10-002000](#) [801-43-002-10-013000](#) [801-43-006-10-002000](#)  
[803-41-018-10-001000](#)