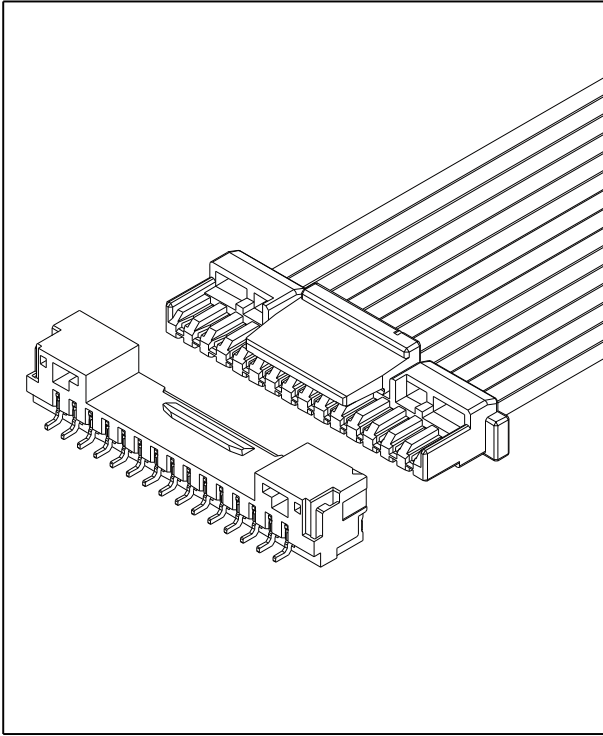


## 1.25mm Pitch Wire To Board Connector

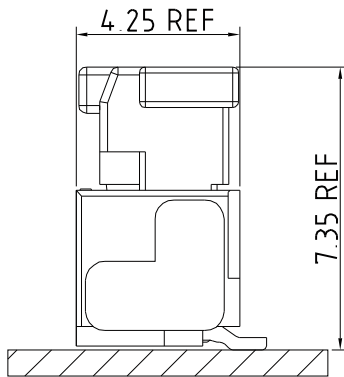


### Specification

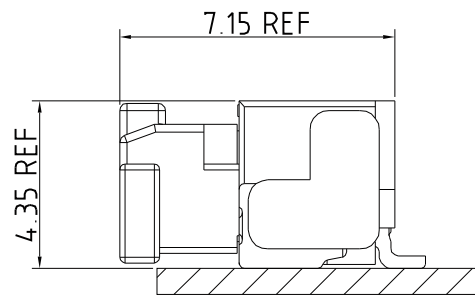
|                       |                |
|-----------------------|----------------|
| Circuits              | 1x02 - 1x15    |
| Pitch                 | 1.25mm         |
| Current Rating        | 1A AC/DC       |
| Voltage Rating        | 50V AC/DC      |
| Contact Resistance    | 30mΩ MAX.      |
| Withstand Voltage     | 500V AC/minute |
| Insulation Resistance | 100MΩ MIN.     |
| Temperature Range     | -25°C - +85°C  |
| Applicable Wire Range | AWG #26 - #30  |

### Assembly Layout

Vertical Type



Right Angle Type



IPCW125 \* \*\* \* \* \* \* \*  
 ① ② ③ ④ ⑤ ⑥ ⑦ ⑧

- ① Series Type. IPCW125
- ② Connector Type.  
T: Terminal  
W: Wafer  
H: Housing
- ③ Pin code.  
Terminal: Serial number  
Wafer or Housing: x row x pin number of row
- ④ Material code.
- ⑤ Appearance code.
- ⑥ Internal code
- ⑦ Company code.

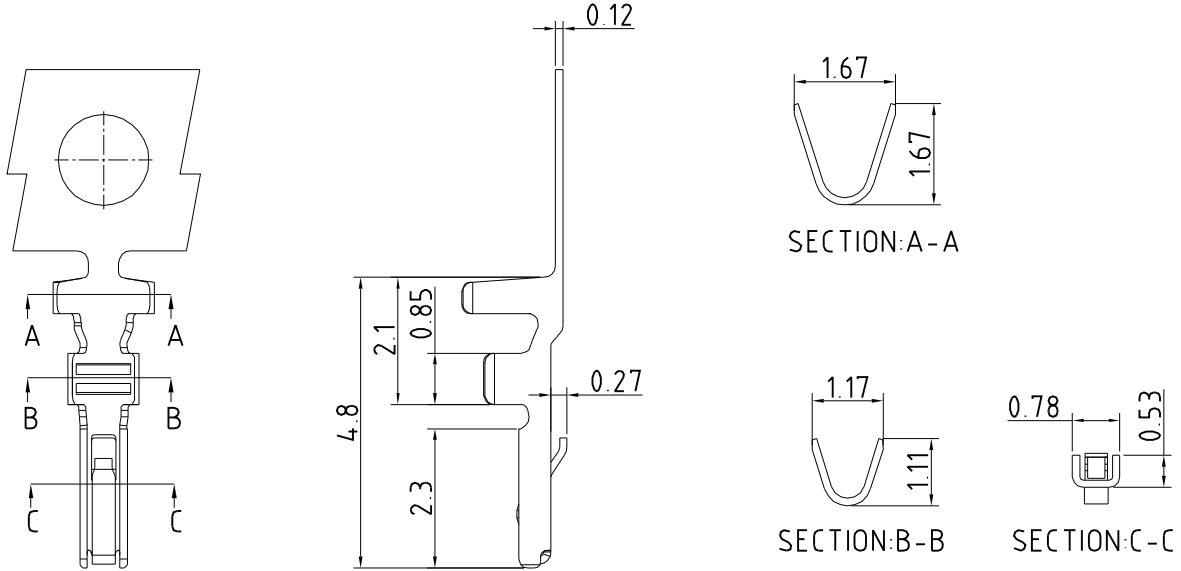
- ⑧ Other code.  
Housing  
Wafer  
S: Vertical SMT Type  
M: Right Angle SMT TYPE

Unit : mm

### Terminal

#### Features

Use with: IPCW125 Series Housing



### CONTACT INFORMATION

| Part No     | Wire Range  | Insulation O.D. | Material        | Finish   | Q'ty/Reel  |
|-------------|-------------|-----------------|-----------------|----------|------------|
| IPCW125T01* | AWG #26-#30 | 1.00mm(MAX.)    | Phosphor bronze | See note | 15,000 pcs |

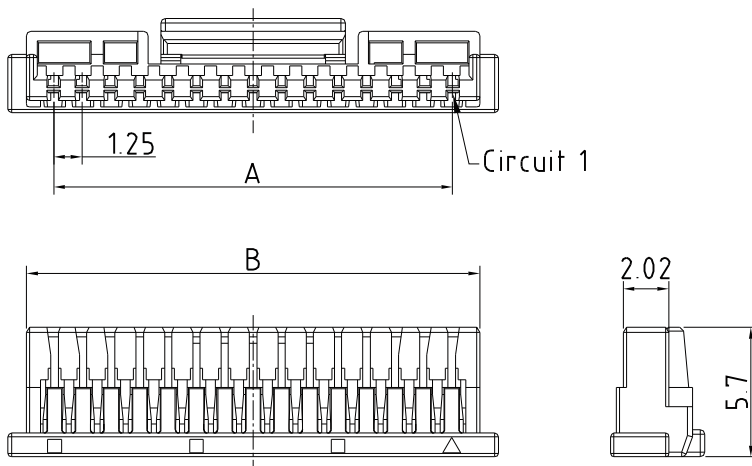
### Housing

#### Features

Available Number of Circuits: 1x02 - 1x15

Material: Regular Thermoplastic 94V-0

Use with: IPCW125 Crimp Terminal



#### Dimension and Order Information

| Circuits | Part No.    | DIM.(mm) |       |
|----------|-------------|----------|-------|
|          |             | A        | B     |
| 2        | IPCW125H12* | 1.25     | 3.75  |
| 3        | IPCW125H13* | 2.50     | 5.00  |
| 4        | IPCW125H14* | 3.75     | 6.25  |
| 5        | IPCW125H15* | 5.00     | 7.50  |
| 6        | IPCW125H16* | 6.25     | 8.75  |
| 7        | IPCW125H17* | 7.50     | 10.00 |
| 8        | IPCW125H18* | 8.75     | 11.25 |
| 9        | IPCW125H19* | 10.00    | 12.50 |
| 10       | IPCW125H1A* | 11.25    | 13.75 |
| 11       | IPCW125H1B* | 12.50    | 15.00 |
| 12       | IPCW125H1C* | 13.75    | 16.25 |
| 13       | IPCW125H1D* | 15.00    | 17.50 |
| 14       | IPCW125H1E* | 16.25    | 18.75 |
| 15       | IPCW125H1F* | 17.50    | 20.00 |

## 1.25mm Pitch Wire To Board Connector

### Wafer

Right Angle SMT TYPE

Unit : mm

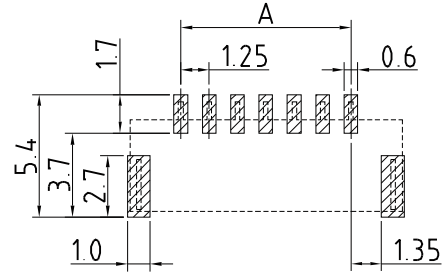
#### Features

**Available Number of Circuits:** 1x02 - 1x15

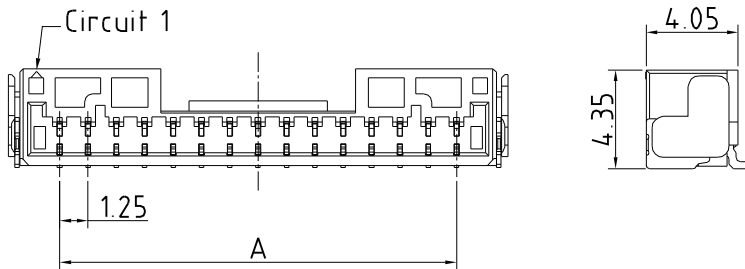
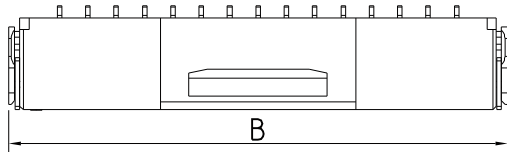
**Material:** High Temperature Thermoplastic 94V-0

**Contact :** 0.2mm(.008") Copper Alloy Tin-plated

**Mates with :** IPCW125 Series Housing



P.C.B LAYOUT



Dimension and Order Information

| Circuits | Part No.     | DIM.(mm) |       |
|----------|--------------|----------|-------|
|          |              | A        | B     |
| 2        | IPCW125W12*M | 1.25     | 5.75  |
| 3        | IPCW125W13*M | 2.50     | 7.00  |
| 4        | IPCW125W14*M | 3.75     | 8.25  |
| 5        | IPCW125W15*M | 5.00     | 9.00  |
| 6        | IPCW125W16*M | 6.25     | 10.75 |
| 7        | IPCW125W17*M | 7.50     | 12.00 |
| 8        | IPCW125W18*M | 8.75     | 13.25 |
| 9        | IPCW125W19*M | 10.00    | 14.50 |
| 10       | IPCW125W1A*M | 11.25    | 15.75 |
| 11       | IPCW125W1B*M | 12.50    | 17.00 |
| 12       | IPCW125W1C*M | 13.75    | 18.25 |
| 13       | IPCW125W1D*M | 15.00    | 19.50 |
| 14       | IPCW125W1E*M | 16.25    | 20.75 |
| 15       | IPCW125W1F*M | 17.50    | 22.00 |

### Wafer

Vertical SMT Type

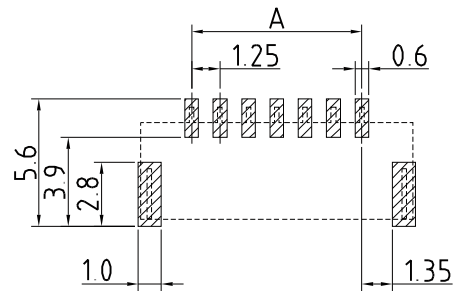
#### Features

**Available Number of Circuits:** 1x02 - 1x15

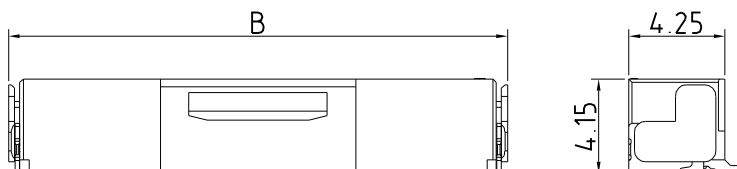
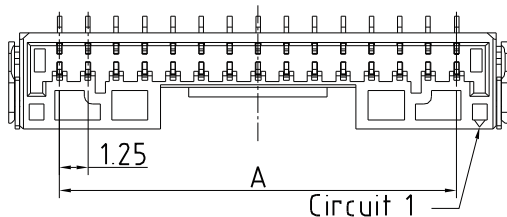
**Material:** High Temperature Thermoplastic 94V-0

**Contact :** 0.2mm(.008") Copper Alloy, Tin-plated

**Mates with :** IPCW125 Series Housing



P.C.B LAYOUT



Dimension and Order Information

| Circuits | Part No.     | DIM.(mm) |       |
|----------|--------------|----------|-------|
|          |              | A        | B     |
| 2        | IPCW125W12*S | 1.25     | 5.75  |
| 3        | IPCW125W13*S | 2.50     | 7.00  |
| 4        | IPCW125W14*S | 3.75     | 8.25  |
| 5        | IPCW125W15*S | 5.00     | 9.00  |
| 6        | IPCW125W16*S | 6.25     | 10.75 |
| 7        | IPCW125W17*S | 7.50     | 12.00 |
| 8        | IPCW125W18*S | 8.75     | 13.25 |
| 9        | IPCW125W19*S | 10.00    | 14.50 |
| 10       | IPCW125W1A*S | 11.25    | 15.75 |
| 11       | IPCW125W1B*S | 12.50    | 17.00 |
| 12       | IPCW125W1C*S | 13.75    | 18.25 |
| 13       | IPCW125W1D*S | 15.00    | 19.50 |
| 14       | IPCW125W1E*S | 16.25    | 20.75 |
| 15       | IPCW125W1F*S | 17.50    | 22.00 |

## X-ON Electronics

Largest Supplier of Electrical and Electronic Components

*Click to view similar products for [Headers & Wire Housings](#) category:*

*Click to view products by [INCP](#) manufacturer:*

Other Similar products are found below :

[57102-F02-18ULF](#) [58102-G61-06LF](#) [0009485154](#) [009176003701906](#) [0050291907](#) [00-9021-0611-00-339](#) [02.125.8002.8](#) [609-3404](#) [61062-3](#)  
[622-0430](#) [622-3653LF](#) [63453-116](#) [636-1030](#) [636-1427](#) [636-3427](#) [636-4007](#) [641938-9](#) [644827-2](#) [65495-038](#) [65692-001LF](#) [65781-018](#)  
[65781-047](#) [65817-010LF](#) [65817-015LF](#) [66207-023LF](#) [67016-026LF](#) [67095-007LF](#) [68631-112](#) [68645-018](#) [68648-049](#) [699319-000](#)  
[70.362.1628.0](#) [70-4210](#) [70-4226B](#) [70-4853B](#) [707-5020](#) [707-5028](#) [71.350.2428.0](#) [71961-016LF](#) [733-134](#) [754199-000](#) [760-3052](#) [787-8014-00](#)  
[FCN-367T-T012/H](#) [80.063.4001.1](#) [800-90-001-10-001000](#) [800-90-010-10-002000](#) [801-43-002-10-013000](#) [801-43-006-10-002000](#)  
[803-41-018-10-001000](#)