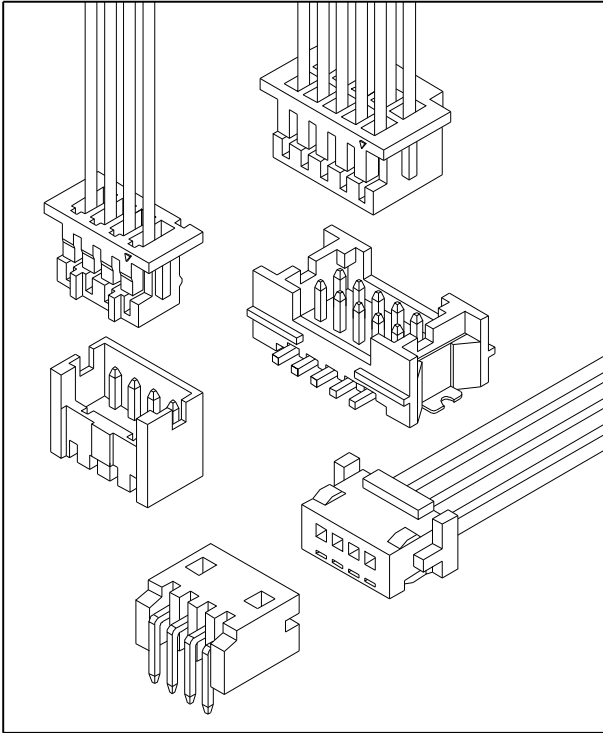


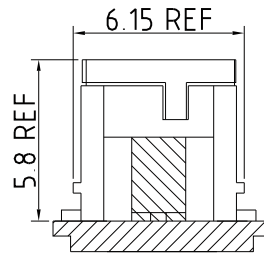
## 1.25mm Pitch Wire To Board Connector



### Specification

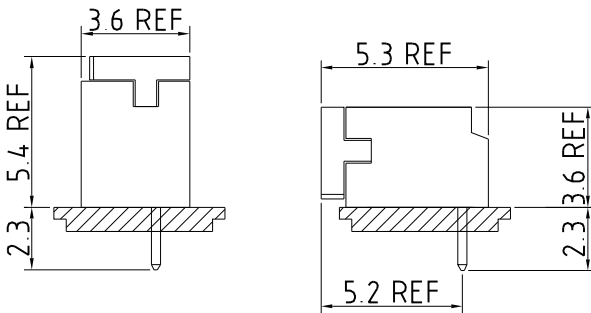
|                            |                   |
|----------------------------|-------------------|
| Circuits                   | 02-15 , 2x05-2x20 |
| Pitch                      | 1.25mm            |
| Current Rating             | 1A AC/DC          |
| Voltage Rating             | 100V AC/DC        |
| Contact Resistance         | 20mΩ MAX.         |
| Withstand Voltage          | 500V AC/minute    |
| Insulation Resistance      | 500MΩ MIN.        |
| Temperature Range          | -25°C - +85°C     |
| Applicable Wire Range      | AWG #26 - #32     |
| Applicable P.C.B Thickness | 0.8mm - 1.2mm     |
| Applicable P.C.B Hole Dia. | ∅0.6mm ± 0.05     |

### Vertical Dual Row SMT Type

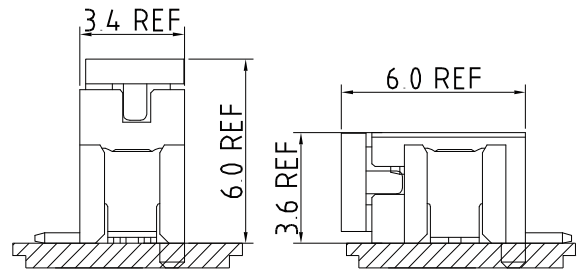


### Assembly Layout

Vertical DIP Type    Right Angle DIP Type



Vertical SMT Type    Right Angle SMT Type



IPCW130 \* \*\* \* \* \* \* \*  
 ① ② ③ ④ ⑤ ⑥ ⑦ ⑧

- ① Series Type. IPCW130
- ② Connector Type.  
T: Terminal  
W: Wafer  
H: Housing
- ③ Pin code.  
Terminal: Serial number  
Wafer or Housing: x row x pin number of row
- ④ Material code.
- ⑤ Appearance code.
- ⑥ Internal code
- ⑦ Company code.

- ⑧ Other code.  
Housing  
K: Dual Row K Type  
Wafer  
V: Vertical 01  
U: Vertical 02  
R: Right Angle 01  
T: Right Angle 02  
S: Vertical SMT Type  
K: Vertical SK- Type

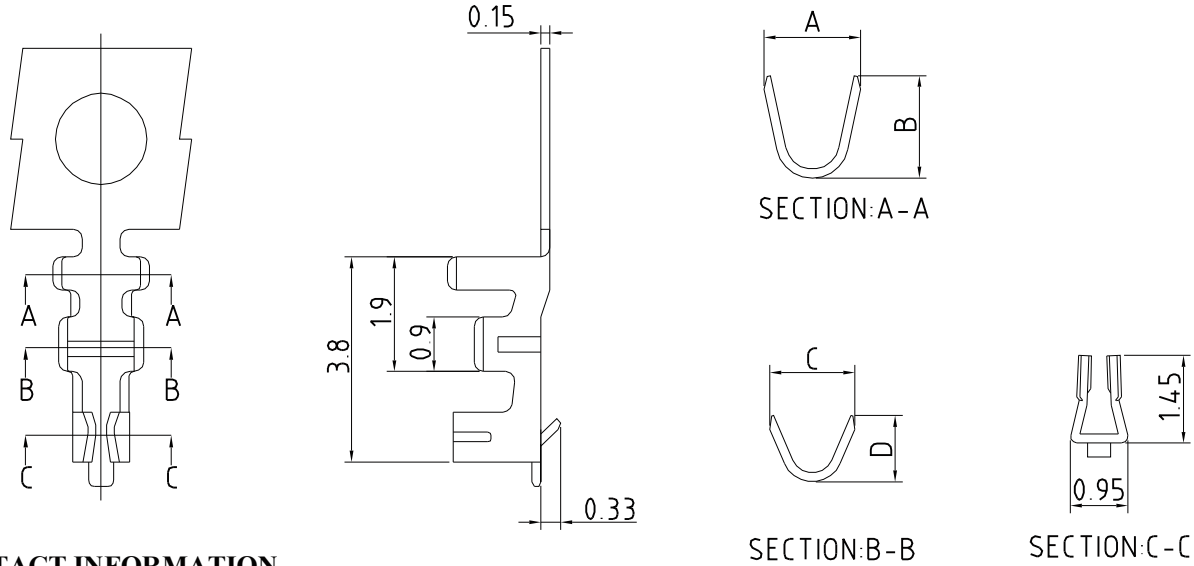
## 1.25mm Pitch Wire To Board Connector

**Unit : mm**

### Terminal

#### Features

Use with: IPCW130 Series Housing



#### CONTACT INFORMATION

| Part No.    | Wire Range  | Insulation O.D. | DIM.(mm) |     |     |     | Material        | Finish   | Q'ty/Reel |
|-------------|-------------|-----------------|----------|-----|-----|-----|-----------------|----------|-----------|
|             |             |                 | A        | B   | C   | D   |                 |          |           |
| IPCW130T01* | AWG #26-#28 | 0.90mm(MAX.)    | 1.6      | 1.7 | 1.4 | 1.1 | Phosphor bronze | See note | 15,000pcs |
| IPCW130T02* | AWG #30-#32 | 0.70mm(MAX.)    | 1.4      | 1.3 | 1.1 | 1.0 |                 |          |           |

### Housing Single Row

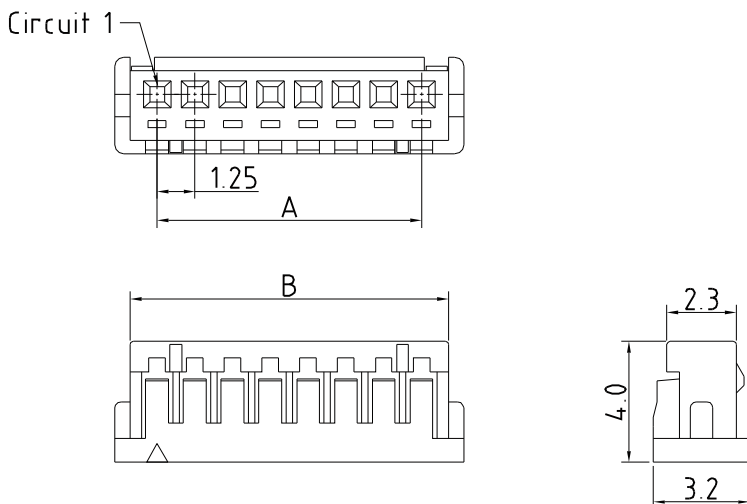
#### Features

Available Number of Circuits: 02 - 15

Material: Regular Thermoplastic 94V-0

Use with: IPCW130 Crimp Terminal

Mates with : IPCW130 Series Single Row Wafer



#### Dimension and Order Information

| Circuits | Part No.    | DIM.(mm) |       |
|----------|-------------|----------|-------|
|          |             | A        | B     |
| 2        | IPCW130H12* | 1.25     | 3.05  |
| 3        | IPCW130H13* | 2.50     | 4.30  |
| 4        | IPCW130H14* | 3.75     | 5.55  |
| 5        | IPCW130H15* | 5.00     | 6.80  |
| 6        | IPCW130H16* | 6.25     | 8.05  |
| 7        | IPCW130H17* | 7.50     | 9.30  |
| 8        | IPCW130H18* | 8.75     | 10.55 |
| 9        | IPCW130H19* | 10.00    | 11.80 |
| 10       | IPCW130H1A* | 11.25    | 13.05 |
| 11       | IPCW130H1B* | 12.50    | 14.30 |
| 12       | IPCW130H1C* | 13.75    | 15.55 |
| 13       | IPCW130H1D* | 15.00    | 16.80 |
| 14       | IPCW130H1E* | 16.25    | 18.05 |
| 15       | IPCW130H1F* | 17.50    | 19.30 |

## 1.25mm Pitch Wire To Board Connector

Unit : mm

**Housing** Dual Row

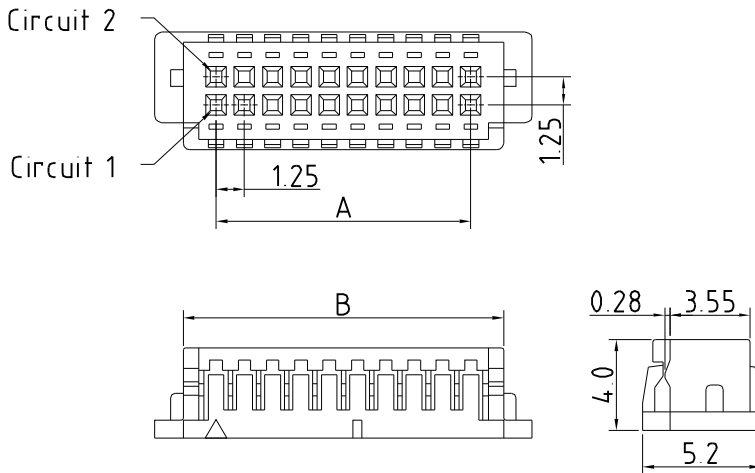
**Features**

**Available Number of Circuits:** 2x05 - 2x20

**Material:** Regular Thermoplastic 94V-0

**Use with:** IPCW130 Crimp Terminal

**Mates with :** IPCW130 Series Dual Row Wafer



Dimension and Order Information

| Circuits | Part No.    | DIM.(mm) |       |
|----------|-------------|----------|-------|
|          |             | A        | B     |
| 10       | IPCW130H25* | 5.00     | 7.90  |
| 20       | IPCW130H2A* | 11.25    | 14.15 |
| 30       | IPCW130H2F* | 17.50    | 20.40 |
| 40       | IPCW130H2K* | 23.75    | 26.65 |

**Housing** Dual Row K Type

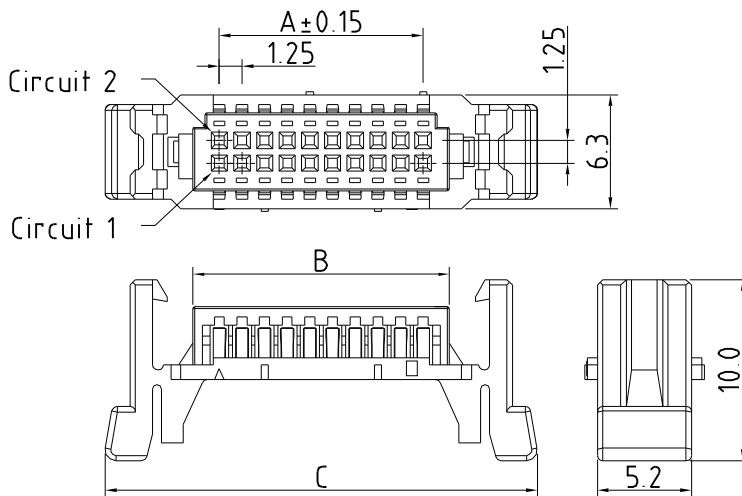
**Features**

**Available Number of Circuits:** 2x05 - 2x20

**Material:** Regular Thermoplastic 94V-0

**Use with:** IPCW130 Crimp Terminal

**Mates with :** IPCW130 Series Dual Row K Type Wafer



Dimension and Order Information

| Circuits | Part No.     | DIM.(mm) |       |       |
|----------|--------------|----------|-------|-------|
|          |              | A        | B     | C     |
| 10       | IPCW130H25*K | 5.00     | 7.90  | 17.60 |
| 20       | IPCW130H2A*K | 11.25    | 14.15 | 13.85 |
| 30       | IPCW130H2F*K | 17.50    | 20.40 | 30.10 |
| 40       | IPCW130H2K*K | 23.75    | 26.65 | 36.35 |

## 1.25mm Pitch Wire To Board Connector

**Unit : mm**

**Wafer** Vertical 01

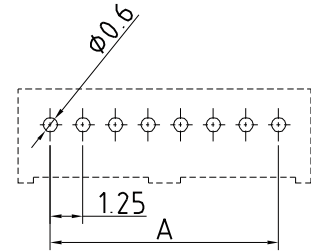
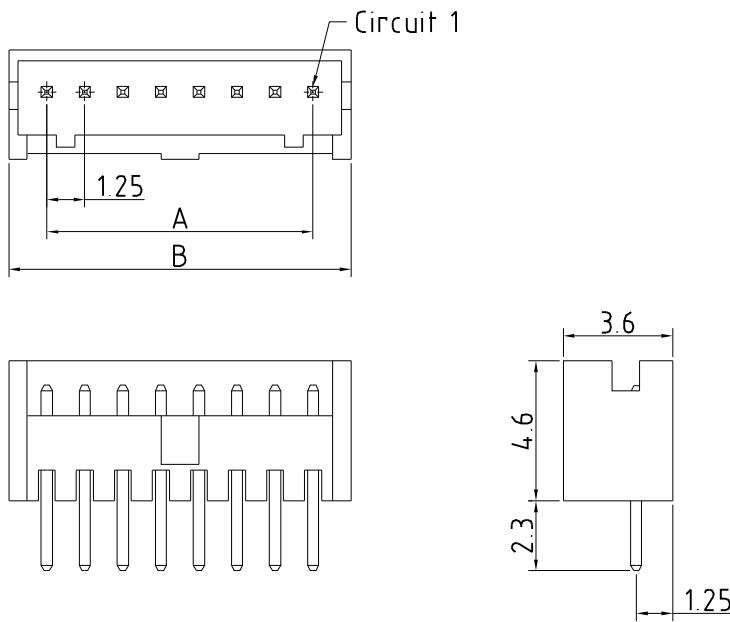
**Features**

**Available Number of Circuits :** 02 - 30

**Material :** Regular Thermoplastic 94V-0

**Contact:** 0.35mm(.014") Copper Alloy, Tin-plated

**Mates with :** IPCW130 Series Single Row Housing



P.C.B LAYOUT

**Dimension and Order Information**

| Circuits | Part No.     | DIM.(mm) |       |
|----------|--------------|----------|-------|
|          |              | A        | B     |
| 2        | IPCW130W12*V | 1.25     | 3.75  |
| 3        | IPCW130W13*V | 2.50     | 5.00  |
| 4        | IPCW130W14*V | 3.75     | 6.25  |
| 5        | IPCW130W15*V | 5.00     | 7.50  |
| 6        | IPCW130W16*V | 6.25     | 8.75  |
| 7        | IPCW130W17*V | 7.50     | 10.00 |
| 8        | IPCW130W18*V | 8.75     | 11.25 |
| 9        | IPCW130W19*V | 10.00    | 12.50 |
| 10       | IPCW130W1A*V | 11.25    | 13.75 |
| 11       | IPCW130W1B*V | 12.50    | 15.00 |
| 12       | IPCW130W1C*V | 13.75    | 16.25 |
| 13       | IPCW130W1D*V | 15.00    | 17.50 |
| 14       | IPCW130W1E*V | 16.25    | 18.75 |
| 15       | IPCW130W1F*V | 17.50    | 20.00 |
| 20       | IPCW130W1K*V | 23.75    | 26.25 |
| 25       | IPCW130W1P*V | 30.00    | 32.50 |
| 30       | IPCW130W1U*V | 36.25    | 38.75 |

**Wafer** Right Angle 01

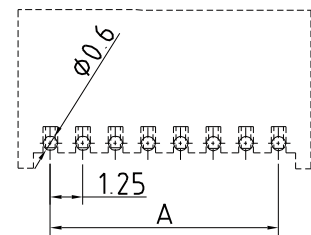
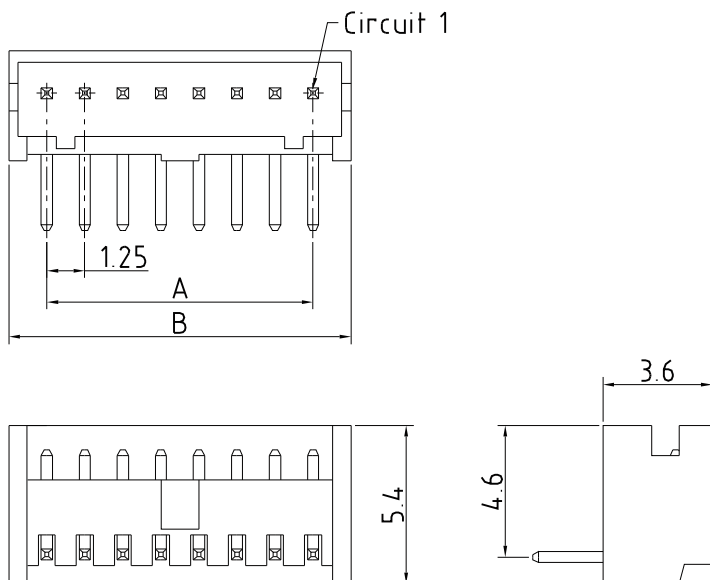
**Features**

**Available Number of Circuits :** 02 - 15

**Material :** Regular Thermoplastic 94V-0

**Contact:** 0.35mm(.014") Copper Alloy, Tin-plated

**Mates with :** IPCW130 Series Single Row Housing



P.C.B LAYOUT

**Dimension and Order Information**

| Circuits | Part No.     | DIM.(mm) |       |
|----------|--------------|----------|-------|
|          |              | A        | B     |
| 2        | IPCW130W12*R | 1.25     | 4.15  |
| 3        | IPCW130W13*R | 2.50     | 5.40  |
| 4        | IPCW130W14*R | 3.75     | 6.65  |
| 5        | IPCW130W15*R | 5.00     | 7.95  |
| 6        | IPCW130W16*R | 6.25     | 9.15  |
| 7        | IPCW130W17*R | 7.50     | 10.40 |
| 8        | IPCW130W18*R | 8.75     | 11.65 |
| 9        | IPCW130W19*R | 10.00    | 12.90 |
| 10       | IPCW130W1A*R | 11.25    | 14.15 |
| 11       | IPCW130W1B*R | 12.50    | 15.40 |
| 12       | IPCW130W1C*R | 13.75    | 16.65 |
| 13       | IPCW130W1D*R | 15.00    | 17.90 |
| 14       | IPCW130W1E*R | 16.25    | 19.15 |
| 15       | IPCW130W1F*R | 17.50    | 20.40 |

## 1.25mm Pitch Wire To Board Connector

Unit : mm

### Wafer

Vertical 02

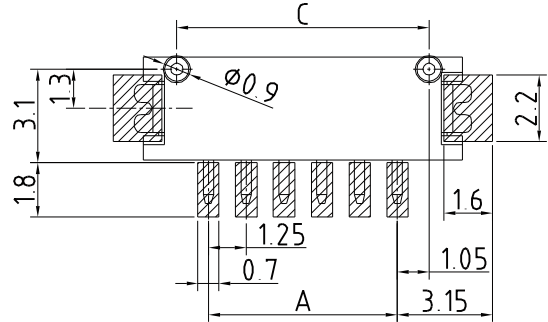
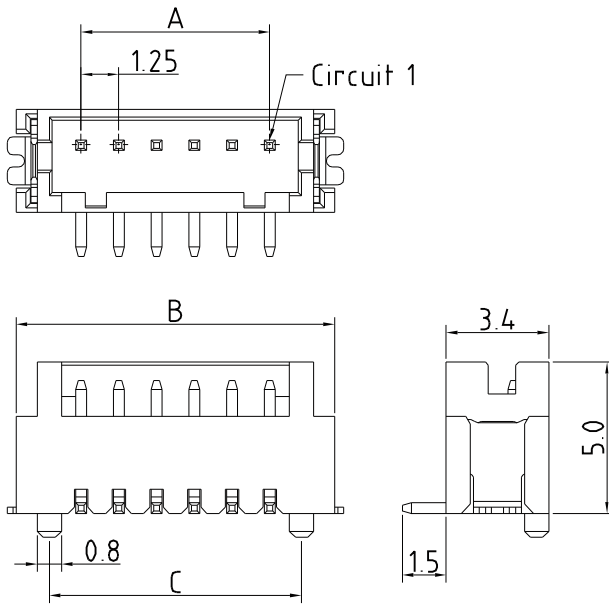
#### Features

Available Number of Circuits : 02 - 15

Material : High Temperature Thermoplastic 94V-0

Contact: 0.35mm(.014") Copper Alloy, Tin-plated

Mates with : IPCW130 Series Single Row Housing



P.C.B LAYOUT

#### Dimension and Order Information

| Circuits | Part No.     | DIM.(mm) |       |       |
|----------|--------------|----------|-------|-------|
|          |              | A        | B     | C     |
| 2        | IPCW130W12*U | 1.25     | 5.55  | 3.35  |
| 3        | IPCW130W13*U | 2.50     | 6.80  | 4.60  |
| 4        | IPCW130W14*U | 3.75     | 8.05  | 5.85  |
| 5        | IPCW130W15*U | 5.00     | 9.30  | 7.10  |
| 6        | IPCW130W16*U | 6.25     | 10.55 | 8.35  |
| 7        | IPCW130W17*U | 7.50     | 11.80 | 9.60  |
| 8        | IPCW130W18*U | 8.75     | 13.05 | 10.85 |
| 9        | IPCW130W19*U | 10.00    | 14.30 | 12.10 |
| 10       | IPCW130W1A*U | 11.25    | 15.55 | 13.35 |
| 11       | IPCW130W1B*U | 12.50    | 16.80 | 14.60 |
| 12       | IPCW130W1C*U | 13.75    | 18.05 | 15.85 |
| 13       | IPCW130W1D*U | 15.00    | 19.30 | 17.10 |
| 14       | IPCW130W1E*U | 16.25    | 20.55 | 18.35 |
| 15       | IPCW130W1F*U | 17.50    | 21.80 | 19.60 |

### Wafer

Right Angle 02

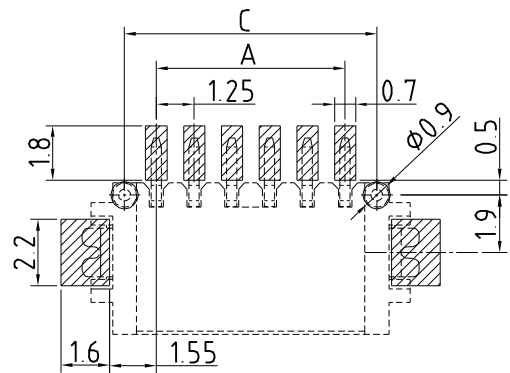
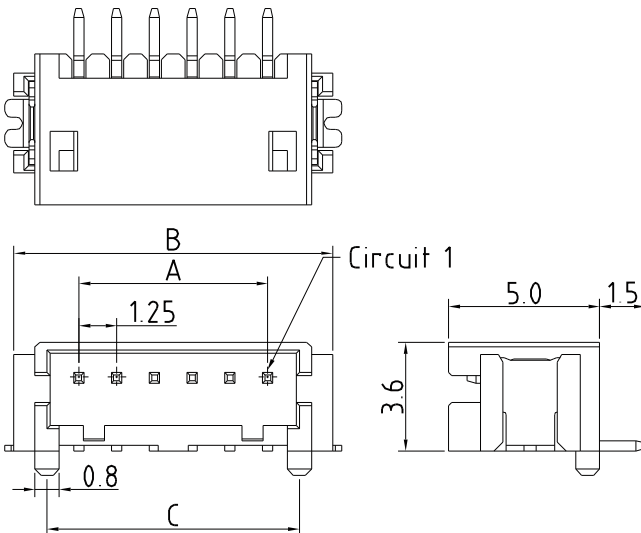
#### Features

Available Number of Circuits : 02 - 15

Material : High Temperature Thermoplastic 94V-0

Contact: 0.35mm(.014") Copper Alloy, Tin-plated

Mates with : IPCW130 Series Single Row Housing



P.C.B LAYOUT

#### Dimension and Order Information

| Circuits | Part No.     | DIM.(mm) |       |       |
|----------|--------------|----------|-------|-------|
|          |              | A        | B     | C     |
| 2        | IPCW130W12*T | 1.25     | 5.55  | 3.35  |
| 3        | IPCW130W13*T | 2.50     | 6.80  | 4.60  |
| 4        | IPCW130W14*T | 3.75     | 8.05  | 5.85  |
| 5        | IPCW130W15*T | 5.00     | 9.30  | 7.10  |
| 6        | IPCW130W16*T | 6.25     | 10.55 | 8.35  |
| 7        | IPCW130W17*T | 7.50     | 11.80 | 9.60  |
| 8        | IPCW130W18*T | 8.75     | 13.05 | 10.85 |
| 9        | IPCW130W19*T | 10.00    | 14.30 | 12.10 |
| 10       | IPCW130W1A*T | 11.25    | 15.55 | 13.35 |
| 11       | IPCW130W1B*T | 12.50    | 16.80 | 14.60 |
| 12       | IPCW130W1C*T | 13.75    | 18.05 | 15.85 |
| 13       | IPCW130W1D*T | 15.00    | 19.30 | 17.10 |
| 14       | IPCW130W1E*T | 16.25    | 20.55 | 18.35 |
| 15       | IPCW130W1F*T | 17.50    | 21.80 | 19.60 |

## 1.25mm Pitch Wire To Board Connector

**Unit : mm**

**Wafer** Vertical SMT Type

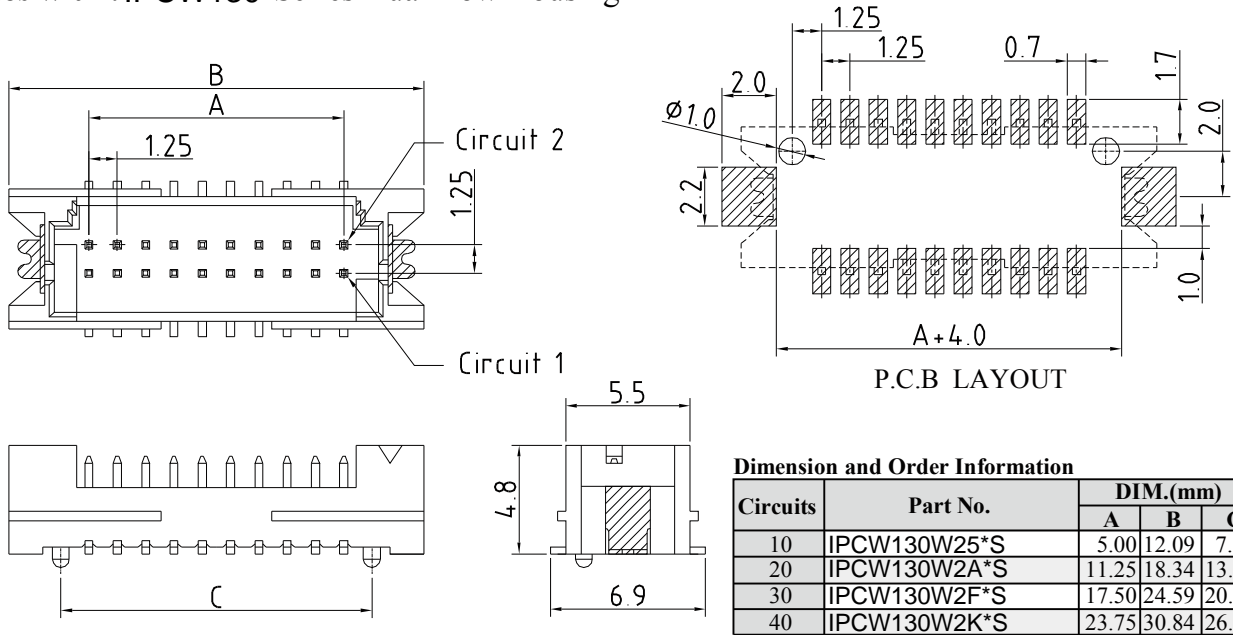
**Features**

**Available Number of Circuits :** 2x05 - 2x20

**Material :** High Temperature Thermoplastic 94V-0

**Contact:** 0.35mm(.014") Copper Alloy, Tin-plated

**Mates with :** IPCW130 Series Dual Row Housing



**Wafer** Vertical SK- Type

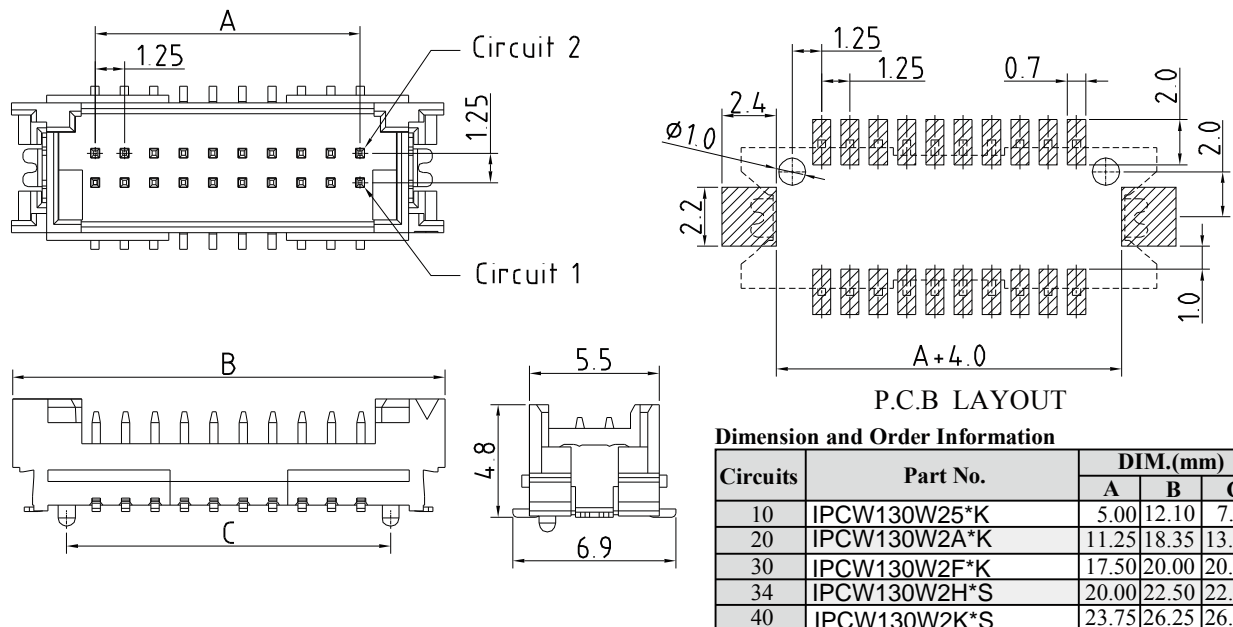
**Features**

**Available Number of Circuits :** 2x05 - 2x20

**Material :** High Temperature Thermoplastic 94V-0

**Contact:** 0.35mm(.014") Copper Alloy, Tin-plated

**Mates with :** IPCW130 Series Dual Row K Type Housing



## X-ON Electronics

Largest Supplier of Electrical and Electronic Components

*Click to view similar products for [Headers & Wire Housings](#) category:*

*Click to view products by [INCP](#) manufacturer:*

Other Similar products are found below :

[57102-F02-18ULF](#) [58102-G61-06LF](#) [582553-1](#) [009176003701906](#) [01.001.5753.1](#) [0050291907](#) [02.125.8002.8](#) [609-3404](#) [61062-3](#)  
[CSU011177004](#) [622-0430](#) [622-3653LF](#) [63453-116](#) [636-1030](#) [636-1427](#) [636-3427](#) [636-4007](#) [641938-9](#) [644827-2](#) [65495-038](#) [65692-001LF](#)  
[65781-018](#) [65781-047](#) [65817-010LF](#) [65817-015LF](#) [66207-023LF](#) [67095-007LF](#) [67601157](#) [68631-112](#) [68645-018](#) [699319-000](#)  
[M90C108951C](#) [70.362.1628.0](#) [70-4210](#) [70-4226B](#) [70-4853B](#) [707-5028](#) [71.350.2428.0](#) [71961-016LF](#) [733-134](#) [733-162](#) [754199-000](#) [760-](#)  
[3052](#) [80.063.4001.1](#) [800-90-001-10-001000](#) [800-90-010-10-002000](#) [801-43-002-10-013000](#) [801-43-006-10-002000](#) [803-41-018-10-001000](#)  
[803-43-024-10-001000](#)